



THESE DRAWINGS AND SPECIFICATIONS ARE THE PROPERTY OF NorComp AND SHALL NOT BE REPRODUCED, COPIED OR USED AS THE BASIS FOR THE MANUFACTURE OR SALE OF APPARATUS WITHOUT WRITTEN PERMISSION.

DRAWN: M. SIGMON  
CHECKED:

DATE: 03-07-16

NorComp

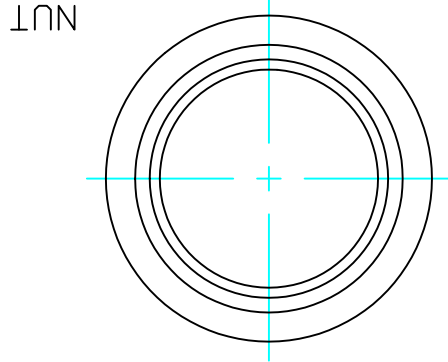
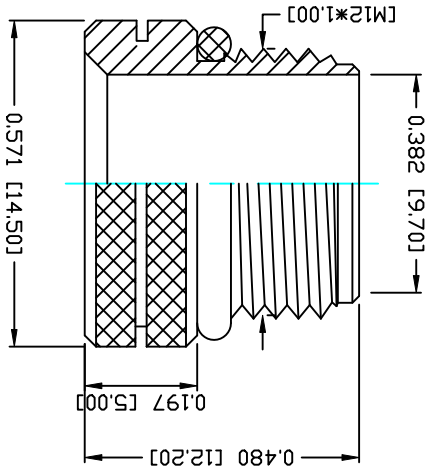
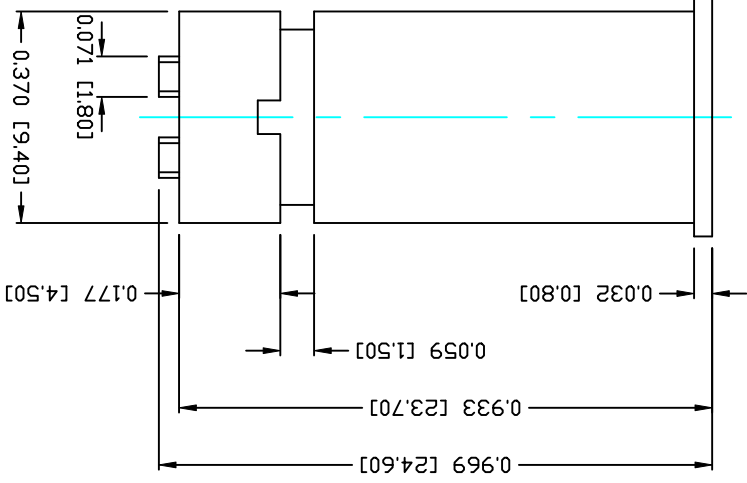
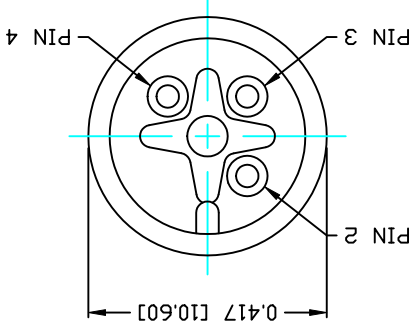
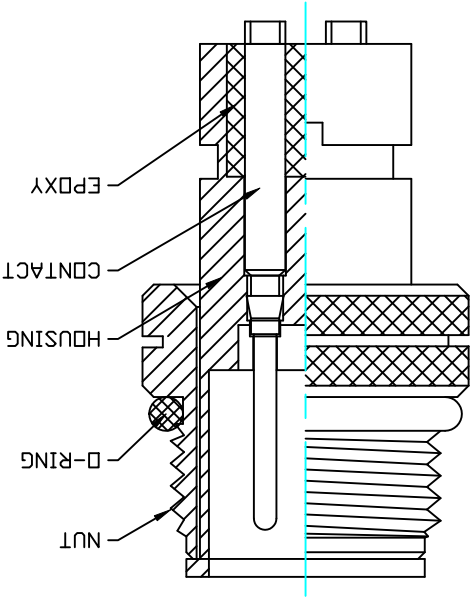
SCALE: N.T.S.  
SHEET 1 OF 1

DWG NO. 858-003-103RLUY

REV 1

ROHS COMPLIANT

DO NOT SCALE FROM DRAWING



858-003-103RLUY

NOTE:  
MATERIAL: PBT UL94V-0, BLACK  
HOUSING: BRASS  
CONTACT: BRASS  
FINISH: NICKEL  
D-RING: D-RING, BLACK  
CONTACT: GOLD PLATED  
NUT: NICKEL PLATED  
ELECTRICAL: 60µ TO 100µ OVER ALL  
RATED CURRENT: 5A  
RATED VOLTAGE: 125V  
INSULATION RESISTANCE: 100 MΩms MIN.  
CONTACT RESISTANCE: 10 MΩms MAX.  
WATER PROOF: IP67  
OPERATION TEMPERATURE: -40°C TO +85°C  
WIRE GAUGE: 24-28 AWG

1 = GOLD FLASH  
4 = 10µ" GOLD

DESCRIPTION: M12 MALE - CABLE MOUNT - 3 POS.

## X-ON Electronics

Largest Supplier of Electrical and Electronic Components

*Click to view similar products for [Circular Metric Connectors](#) category:*

*Click to view products by [NorComp](#) manufacturer:*

Other Similar products are found below :

[1424048](#) [1021212](#) [600X518037X](#) [6STD09SAM99B70X](#) [6STD15PCR99B70A](#) [8R4000A16M020](#) [1200910002](#) [1201150041](#) [1203580030](#)  
[1200700064](#) [1200700263](#) [1200700416](#) [1200730102](#) [1200770002](#) [1-2823588-2](#) [130203-0054](#) [1300140026](#) [1300150099](#) [1-3637-600-5205](#)  
[1545399](#) [1594331](#) [1600413](#) [1612606](#) [1612618](#) [1614660](#) [1A4000-348](#) [CA06EW24-10P-B-03](#) [21036836414](#) [2823064-1](#) [1610759](#) [A1642LK-](#)  
[II-T](#) [1R3006A20M005](#) [41-01016](#) [41-40011](#) [41-40017](#) [42-00006](#) [42-01015](#) [4-22279-4](#) [4-22281-1](#) [4-22284-9](#) [43-00002](#) [43-00113](#) [43-00130](#)  
[43-01028](#) [43-01034](#) [43-01088](#) [43-01090](#) [43-01203](#) [43-01209](#) [43-01335](#)