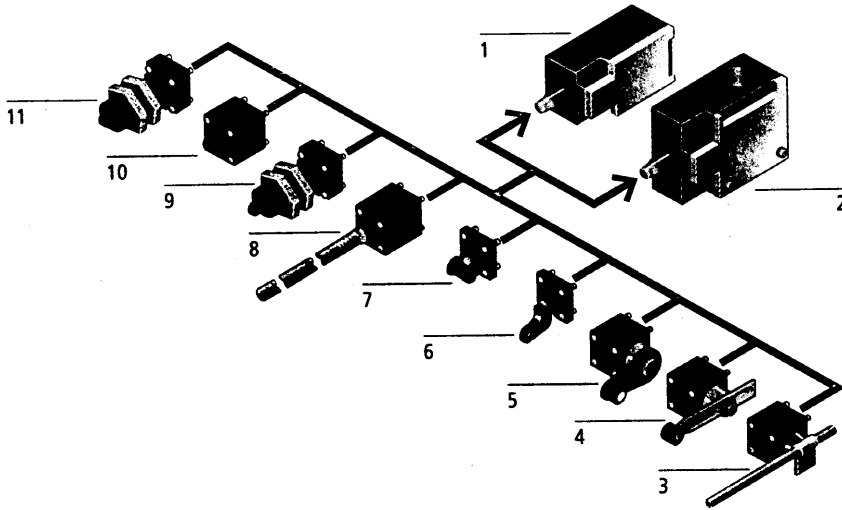


AT0, ATR, AT4 Position Switches System Overview

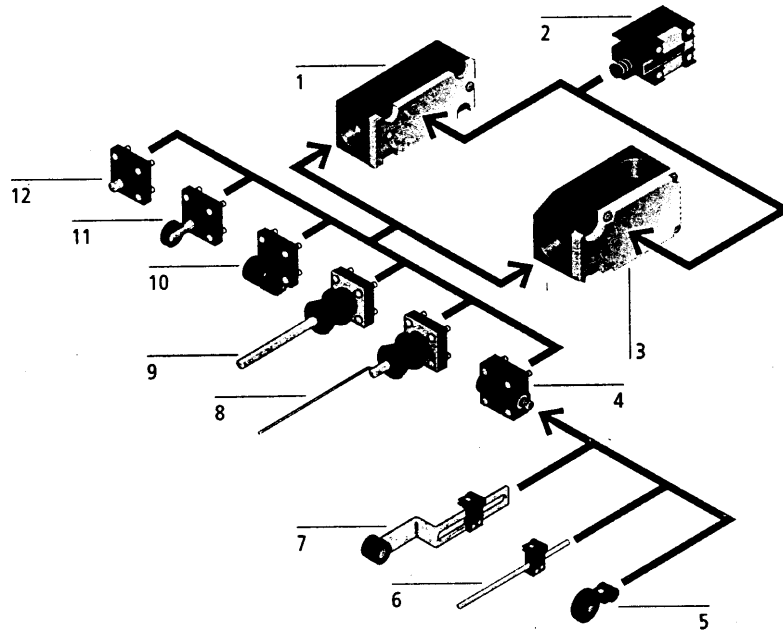
AT0 LIMIT SWITCH + OP. HEADS.

Pressure Switches, Float Switches

AT0



AT4



A
 Sy
 A
 B
 B
 N
 T
 W
 N
 A
 B
 W
 W
 N
 A
 A
 A
 H
 A
 N
 T
 To
 S
 N
 AT
 W
 W
 AT
 •
 •
 •

ATO, ATR, AT4 Position Switches System Overview

ATO/ATR

Basic units

Basic unit	1
Narrow version	
To EN 50 047	
With snap-on cover	
Number of contacts: 1M/1B, 2M, 2B	
As snap-action or standard-action switch	
→ Page 03/004	

Basic unit	2
Wide version	
With 2 × M20	
Number of contacts: 1M/1B, 2M, 2B	
As snap-action or standard-action switch	
→ Page 03/004	

Operating heads

Can be rotated in 90° stages

Actuating rod	3
On conveyor belts for light-weight goods	
Adjustable roller lever	4
For length adjustment as required	
Rotary lever	5
For transverse actuation, for pendulum movements	
Angled roller lever	6
For actuation along the device axis	
Roller lever	7
For one-sided operation with high actuation speed	
→ Page 03/009	

Operating heads

Can be rotated in 90° stages

Spring-rod actuator	8
For flexible actuation from any side	
Plunger (centre fixing)	9
For transverse and axial actuation when fitted in a through-hole	
Roller plunger	10
For transverse actuation with low actuating force	
Roller plunger (centre fixing)	11
For transverse actuation when fitted in a through-hole	
→ Page 03/009	

AT4

Housings/switch mechanisms

AT4 enclosure	1
Narrow version	
To EN 50 041	
→ Page 03/016	

Switch mechanisms	2
Standard-action and snap-action contact	
Overlapping method of contact-making	
Number of contacts: 1M/1B	
→ Page 03/016	

AT4 enclosure	3
Wide version	
With 3 × M20	
→ Page 03/016	

Operating heads

Can be rotated in 90° stages

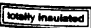
Rotary drive head	4
For use in combination with more than 30 different actuators	
Actuating roller lever	5
With various lever lengths, roller diameters and widths	
Actuating rod	6
With plastic rod or adjustable aluminium rod	
Adjustable roller lever	7
For length adjustment as required	
→ Page 03/017	

Operating heads

Can be rotated in 90° stages

Spring-rod head	8
For flexible actuation from any side, with steel spring-rod	
Spring-rod head	9
For flexible actuation from any side, with plastic rod	
Actuating roller head	10
For one-sided operation with high actuation speed	
Roller plunger head	11
For transverse actuation with low wear	
Plunger head	12
With steel cap for operation with hot operating elements	
→ Page 03/016	

ATO, ATR, AT4 product attributes

- Modular system
- Degree of protection IP65
-  Safety Insulated
- Personnel protection
- Positive operation
- Suitable for use with electronic devices to IEC/EN 61 131-2
- Ⓢ Safety function by positive opening of contacts to IEC/EN 60 947-5-1
- Devices for world markets



**ATO Position Switches
Complete Units**

Pressure Switches Float Switches

Contacts
M = Make
B = Break
⊖ = Safety function by positive opening of contacts to IEC/EN 60 947-5-1

Contact sequence Contact
 Closed
 Open
 Zw = Positive opening clearance

Plunger
EN 50 047
 Form B
 Basic unit
 Type
 Article no.

Price
 See Price List

Plunger
 Centre fixing

Type
 Article no.
 Price
 See Price List

Complete units, IP65

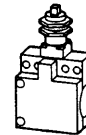
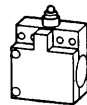


Narrow version



1 M 1 B ⊖			ATO-11-1-I 095406		ATO-11-1-I/ZS 036069
1 M 1 B ⊖			ATO-11-2-I 097779		ATO-11-2-I/ZS 076410
2 M - -			ATO-20-1-I 002860		ATO-20-1-I/ZS 062173
- 2 B ⊖			ATO-02-1-I 005233		ATO-02-1-I/ZS 002849
- 2 B ⊖			ATO-02-1-I- SOND916 098448		-
1 M 1 B ⊖		Snap-action contact 	ATO-11-S-I 000487		ATO-11-S-I/ZS 019459
1 M 1 B ⊖		Snap-action contact 	ATO-11-S1-I 226060		-

Wide version





1 M 1 B ⊖			ATO-11-1-IA 007606		ATO-11-1-IA/ZS 055053
1 M 1 B ⊖			ATO-11-2-IA 009979		ATO-11-2-IA/ZS 095394
2 M - -			ATO-20-1-IA 014725		ATO-20-1-IA/ZS 081157
- 2 B ⊖			ATO-02-1-IA 017098		ATO-02-1-IA/ZS 021833
1 M 1 B ⊖		Snap-action contact 	ATO-11-S-IA 012352		ATO-11-S-IA/ZS 040816
1 M 1 B ⊖		Snap-action contact 	ATO-11-S1-IA 226061		-

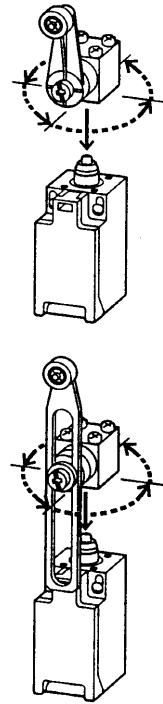
**ATO Position Switches
Complete Units**

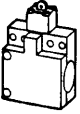
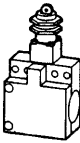
Position Switches, Proximity Switches
Pressure Switches, Float Switches

Roller plunger EN 50 047 Form C		Roller plunger Centre fixing		Notes
Type	Price	Type	Price	
Article no.	See Price List	Article no.	See Price List	Std. pack

				
ATO-11-1-I/RS 024204		ATO-11-1-I/ZRS 033696		10 off
ATO-11-2-I/RS 064545		ATO-11-2-I/ZRS 074037		2 off
ATO-20-1-I/RS 050308		ATO-20-1-I/ZRS 059800		
ATO-02-1-I/RS 090649		ATO-02-1-I/ZRS 000476		
-		-		
ATO-11-S-I/RS 007594		ATO-11-S-I/ZRS 017086		10 off
-		-		1 off

The operating heads can be rotated in 90° stages to match the specified direction of operation.
For degree of protection IP65, use M20 cable glands with up to 9.0 mm length of connecting thread (V-M20).



				
ATO-11-1-IA/RS 045561		ATO-11-1-IA/ZRS 052680		1 off
ATO-11-2-IA/RS 085902		ATO-11-2-IA/ZRS 093021		
ATO-20-1-IA/RS 071665		ATO-20-1-IA/ZRS 078784		
ATO-02-1-IA/RS 012341		ATO-02-1-IA/ZRS 019460		
ATO-11-S-IA/RS 031324		ATO-11-S-IA/ZRS 038443		
-		-		

For external applications or temperatures down to -40 °C use RBS-ATO sealing membrane.

No SUVA approval for the following types:

- ATO-20-1-I
- ATO-20-1-I/ZS
- ATO-20-1-I/RS
- ATO-20-1-I/ZRS
- ATO-20-1-IA
- ATO-20-1-IA/ZS
- ATO-20-1-IA/RS
- ATO-20-1-IA/ZRS

Accessories	Page
V-M20 cable gland	03/018
Sealing membrane	03/018

ATO Position Switches
Complete Units

Pressure Switches, Float Switches

		Spring-rod actuator ¹⁾		Roller lever	
Contacts		Contact sequence		EN 50 047	
M = Make		Contact		Form E	
B = Break		<input checked="" type="checkbox"/> Closed <input type="checkbox"/> Open Zw = Positive opening clearance		Type	
⊕ = Safety function by positive opening of contacts to IEC/EN 60 947-5-1		Type		Article no.	
		Article no.		Price	
		See Price List		See Price List	

Complete units, IP65

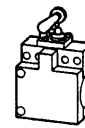
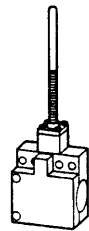


Narrow version



1 M 1 B ⊕					ATO-11-1-I/AR 017085
1 M 1 B ⊕					ATO-11-2-I/AR 057426
2 M - -					ATO-20-1-I/AR 043189
- 2 B ⊕					ATO-02-1-I/AR 083530
1 M 1 B ⊕		Snap-action contact	ATO-11-S-I/F 000475		ATO-11-S-I/AR 097767

Wide version




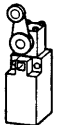

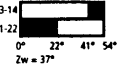

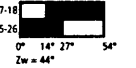
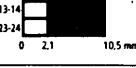
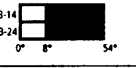

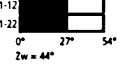

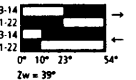
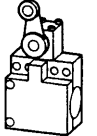
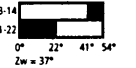
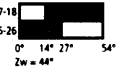


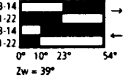
1 M 1 B ⊕					ATO-11-1-IA/AR 038442
1 M 1 B ⊕					ATO-11-2-IA/AR 078783
2 M - -					ATO-20-1-IA/AR 064546
- 2 B ⊕					ATO-02-1-IA/AR 005222
1 M 1 B ⊕		Snap-action contact	ATO-11-S-IA/F 024205		ATO-11-S-IA/AR 021832

Notes

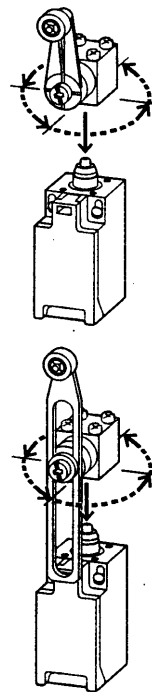
¹⁾ Do not use spring-rod actuator as a safety position switch; admissible only with snap-action contact.

**ATO Position Switches
Complete Units**

Position Switches, Proximity Switches, Float Switches

Angled roller lever			Rotary lever		
Type	Price		Type	Price	Notes
Article no.	See Price List		Article no.	See Price List	Std. pack
					
 13-14 21-22 0 4.7 8.3 10.5mm Zw = 7.0 mm		AT0-11-1-I/WR 031323	 13-14 21-22 0° 22° 41° 54° Zw = 37°		AT0-11-1-I/R 021831 10 off
 17-18 25-26 0 3.3 5.7 10.5mm Zw = 8.0 mm		AT0-11-2-I/WR 071664	 17-18 25-26 0° 14° 27° 54° Zw = 44°		AT0-11-2-I/R 062172 2 off
 13-14 23-24 0 2.1 10.5mm		AT0-20-1-I/WR 057427	 13-14 23-24 0° 8° 54°		AT0-20-1-I/R 047935
 11-12 21-22 0 5.6 10.5mm Zw = 7.9 mm		AT0-02-1-I/WR 097768	 11-12 21-22 0° 27° 54° Zw = 44°		AT0-02-1-I/R 088276
 13-14 21-22 13-14 21-22 0 2.6 4.9 10.5mm Zw = 7.6 mm		AT0-11-S-I/WR 014713	 13-14 21-22 13-14 21-22 0° 10° 23° 54° Zw = 39°		AT0-11-S-I/R 005221 1 off
					
			 13-14 21-22 0° 22° 41° 54° Zw = 37°		AT0-11-1-IA/R 043188 2 off
			 17-18 25-26 0° 14° 27° 54° Zw = 44°		AT0-11-2-IA/R 083529
			 13-14 23-24 0° 8° 54°		AT0-20-1-IA/R 069292
			 11-12 21-22 0° 27° 54° Zw = 44°		AT0-02-1-IA/R 009968
			 13-14 21-22 13-14 21-22 0° 10° 23° 54° Zw = 39°		AT0-11-S-IA/R 028951

The operating heads can be rotated in 90° stages to match the specified direction of operation.
For degree of protection IP65, use M20 cable glands with up to 9.0 mm length of connecting thread (V-M20)



No SUVA approval for the following types:

- AT0-11-S-I/F
- AT0-20-1-IA/R
- AT0-20-1-I/WR
- AT0-20-1-I/R
- AT0-11-S-IA/F
- AT0-20-1-IA/AR
- AT0-20-1-IA/R

Accessories	Page
V-M20 cable gland	03/018

ATO Position Switches Complete Units




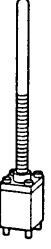





		Adjustable roller lever		Actuating rod ¹⁾		
Contacts	Contact sequence	Type	Price	Type	Price	Std. pack
M = Make B = Break ⊕ = Safety function by positive opening of contacts to IEC/EN 60 947-5-1	<div style="display: flex; align-items: center;"> <div style="width: 10px; height: 10px; background-color: black; margin-right: 5px;"></div> Closed <div style="width: 10px; height: 10px; border: 1px solid black; margin-right: 5px; margin-left: 5px;"></div> Open Zw = Positive opening clearance </div>	Article no.	See Price List	Article no.	See Price List	
Complete units, IP65						
Narrow version						
<div style="display: flex; justify-content: space-around; align-items: center;"> </div>						
1 M 1 B ⊕		 13-14 21-22 0° 22° 41° 54° Zw = 37°	ATO-11-1-I/V 028950		ATO-11-1-I/H 019458	10 off
1 M 1 B ⊕		 17-18 25-26 0° 14° 27° 54° Zw = 44°	ATO-11-2-I/V 069291		ATO-11-2-I/H 059799	2 off
2 M - -		 13-14 23-24 0° 0° 54°	ATO-20-1-I/V 055054		ATO-20-1-I/H 045562	
- 2 B ⊕		 11-12 21-22 0° 27° 54° Zw = 44°	ATO-02-1-I/V 095395		ATO-02-1-I/H 085903	
1 M 1 B ⊕		Snap-action contact 13-14 21-22 13-14 21-22 0° 10° 23° 54° Zw = 39°	ATO-11-S-I/V 012340		ATO-11-S-I/H 002848	10 off
Wide version						
<div style="display: flex; justify-content: space-around; align-items: center;"> </div>						
1 M 1 B ⊕		 13-14 21-22 0° 22° 41° 54° Zw = 37°	ATO-11-1-IA/V 050307		ATO-11-1-IA/H 040815	2 off
1 M 1 B ⊕		 17-18 25-26 0° 14° 27° 54° Zw = 44°	ATO-11-2-IA/V 090648		ATO-11-2-IA/H 081156	
2 M - -		 13-14 23-24 0° 0° 54°	ATO-20-1-IA/V 076411		ATO-20-1-IA/H 066919	
- 2 B ⊕		 11-12 21-22 0° 27° 54° Zw = 44°	ATO-02-1-IA/V 017087		ATO-02-1-IA/H 007595	
1 M 1 B ⊕		Snap-action contact 13-14 21-22 13-14 21-22 0° 10° 23° 54° Zw = 39°	ATO-11-S-IA/V 036070		ATO-11-S-IA/H 026578	

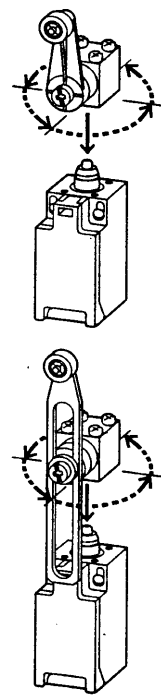
Notes

¹⁾ Not to be used as a safety position switch



ATO Position Switches
Operating Heads

	Style	Direction of actuation	Type Article no.	Price See Price List	Std. pack	Notes
Operating heads						
	Form C to EN 50 047	transverse	RS-ATO 053145		5 off	The operating heads can be rotated in 90° stages to match the specified direction of operation. For degree of protection IP65, use M20 cable glands with up to 9.0 mm length of connecting thread (V-M20)
	(centre fixing)	transverse	ZRS-ATO 031083			
	(centre fixing)	axial, transverse	ZS-ATO 033456			
	-	transverse	F-ATO 050772			
	Form E to EN 50 047	transverse	AR-ATO 046026		10 off	
	-	transverse	WR-ATO 048399		5 off	
	Form A to EN 50 047	transverse	R-ATO 038907			
	-	transverse	V-ATO 041280			
	-	transverse	H-ATO 043653			



Not for use as safety position switches:

- F-ATO
- H-ATO

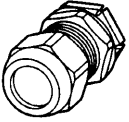





F-ATO can be used, but only in conjunction with snap-action contact

Accessories	Page
V-M20 cable gland	03/018

Position Switches; Proximity Switches; Pressure Switches; Float Switches

AT... Position Switches

Accessories

	Type Article no.	Price See Price List	Std. pack
Metric cable gland, M20, to EN 50 262 • With lock nut and built-in strain relief • IP68 up to 5 bar, halogen-free • External diameter of cable 6 – 13 mm	V-M20 206910		20 off
			
Adapter to convert PG 13,5 to M20, IP65 For PG13,5 cable glands Moulded	VPG13,5/M20 225268		10 off
			
Screw connection to fit M20 into 1/2" For American pipe thread Metal	V1/2"/M20-NA 225269		1 off The screw connection must be earthed, not total insulation
			
Screw connection to fit M20 into 1/2" For American pipe thread Moulded	V1/2"/M20 225270		10 off
			
M20 diaphragm bolt, IP65 With built-in push-through diaphragm External diameter of cable up to 13 mm IP65 with cable inserted	EMS20 225271		25 off
			
M20 screw closure, IP65 (self-sealing grommet) For tightening / loosening by using a standard wrench for sealing grommet plugs	SV-M20 225267		25 off
			

X-ON Electronics

Largest Supplier of Electrical and Electronic Components

Click to view similar products for [Switch Hardware](#) category:

Click to view products by [Eaton](#) manufacturer:

Other Similar products are found below :

[893102000](#) [LZZ1A](#) [0098.9234](#) [61-9707.7](#) [61-9771.0](#) [M2PA-5011](#) [635401](#) [6PA104](#) [6PA113](#) [6PA147-E6](#) [6PA148-E6](#) [6PA32](#) [6PA9](#) [700106](#)
[700109](#) [700201A56](#) [700303A56](#) [700701264](#) [700C1GRY](#) [700C2GRN](#) [704-6001](#) [704.960.4](#) [704.960.9](#) [704.965.1](#) [704.965.2](#) [704.965.6](#)
[704.966.0](#) [7089-3](#) [71M1048](#) [757200264](#) [778000A56](#) [79215938](#) [MHU35](#) [MHU37](#) [825.003.011](#) [825.005.011](#) [825.053.011](#) [825.055.011](#)
[826.000.071](#) [827.020.011](#) [827.400.021](#) [835.900.023](#) [MML52C10C](#) [MML52E10C](#) [MML72EEK](#) [MML92HGH](#) [MML93K](#) [84211M02CNNS](#)
[84211M02LGRS](#) [84211M02LNNX3](#)