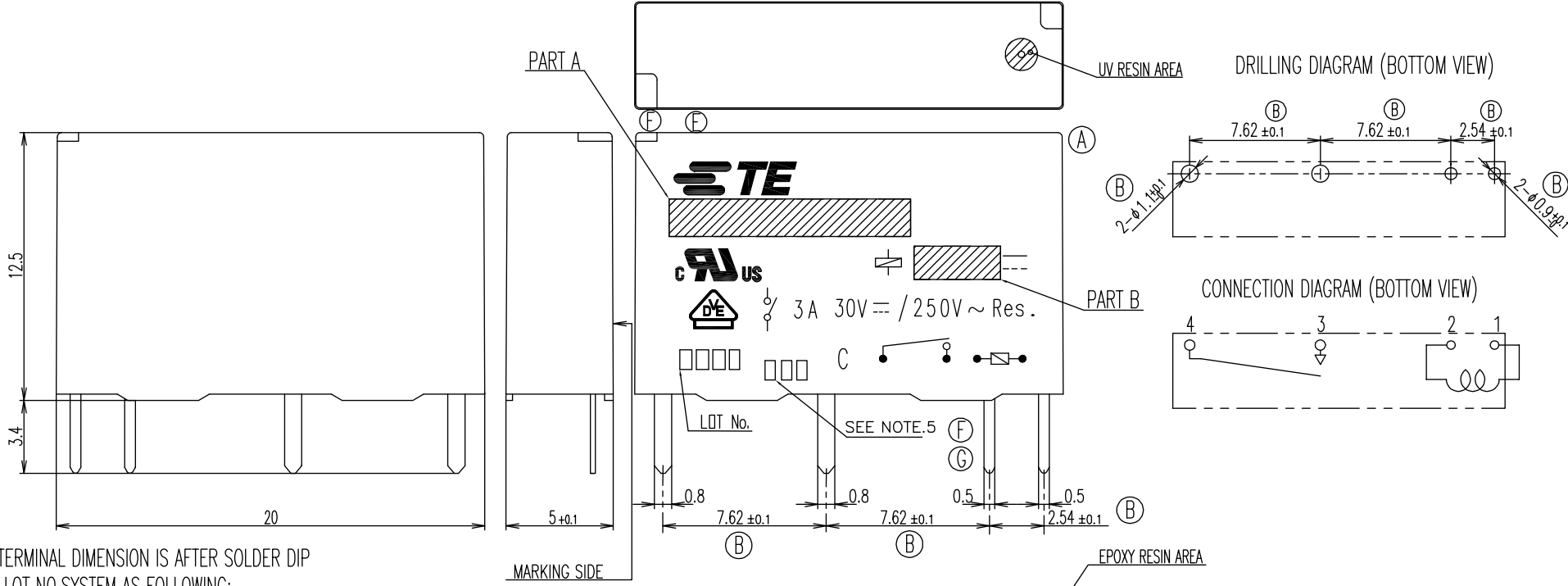


THIS DRAWING IS UNPUBLISHED. RELEASED FOR PUBLICATION
 © COPYRIGHT - By TE CONNECTIVITY ALL RIGHTS RESERVED.

LOC	DIST	REVISIONS				
P	LTR	DESCRIPTION	DATE	DWN	APVD	
HB	-	1.CHANGE TE LOGO and VDE LOGO. 2.ADD ONE CHARACTER DISTINGUISH THE LINE IDENTITY.3. MARKING PRINT FROM INK CHANGE TO LASER	ECO-12-005736	25-APR-12	FS.H	BH.Y
		G ADD NEW LOT NO.SYSTEM	ECO-12-014659	20-AUG-12	FS.H	BH.Y



1. TERMINAL DIMENSION IS AFTER SOLDER DIP
 2. LOT NO. SYSTEM AS FOLLOWING;
 0 2 0 1 | I ...2 DIGITS FOR THE CHRISTIAN YEAR
 | II
 2007....07 2010....10
 2008....08 2011....11
 2009....09 20xx....xx
 II ...2 DIGITS FOR WEEK MANUFACTURED AS
 03.... 3 WEEKS IN 1 YEAR
 04.... 4 WEEKS IN 1 YEAR
 xx.... xx WEEKS IN 1 YEAR

- Ⓒ 3. MARKING FROM INK CHANGE TO LASER
 Ⓓ 4. ONE CHARACTER DISTINGUISH THE LINE IDENTITY, SUCH AS: A, B, ...
 Ⓔ 5. ADD LOT NO. SYSTEM AS FOLLOWING;

- | | | | | | | | |
|--|----|-----|---|---|----|-----|---|
| <table border="1"> <tr> <td>1</td> <td>1</td> <td>A</td> </tr> <tr> <td>I</td> <td>II</td> <td>III</td> </tr> </table> | 1 | 1 | A | I | II | III | <p>I, DIGITS FOR DAY OF THE WEEK
 1...MONDAY IN THIS WEEK;
 2...TUESDAY IN THIS WEEK;

 7...SUNDAY IN THIS WEEK
 II, DIGITS FOR SHIFT OF THE DAY
 1...DAY SHIFT IN THIS DAY;
 2...NIGHT SHIFT IN THIS DAY;
 III, ONE CHARACTER DISTINGUISH THE LINE IDENTITY, SUCH AS: A,B,.....Z</p> |
| 1 | 1 | A | | | | | |
| I | II | III | | | | | |

Diagram dimension	Tolerance
0.99mm max	±0.1mm
1 - 2.99mm	±0.2mm
3mm min	±0.3mm

THIS DRAWING IS A CONTROLLED DOCUMENT.		DWN M. MOCHIZUKI		TE TE Connectivity	
DIMENSIONS: mm		CHK Y. OKAMOTO			
TOLERANCES UNLESS OTHERWISE SPECIFIED:		APVD A. NAGAI		NAME	
0 PLC ± -		PRODUCT SPEC		PCN-D3M** CUSTOMER DRAWING	
1 PLC ± -		APPLICATION SPEC		SIZE CAGE CODE DRAWING NO RESTRICTED TO	
2 PLC ± -		WEIGHT		A3 00779 C=1461491	
3 PLC ± -		CUSTOMER DRAWING		SCALE 5:1 SHEET 1 OF 3 REV G	
4 PLC ± -					
ANGLES ± -					
FINISH					

THIS DRAWING IS UNPUBLISHED. RELEASED FOR PUBLICATION
 © COPYRIGHT - By TE CONNECTIVITY ALL RIGHTS RESERVED.

LOC	DIST	REVISIONS					
HB	-	P	LTR	DESCRIPTION	DATE	DWN	APVD
		-		SEE SHEET 1	-	-	-

PART B	PART A	DESCRIPTION	TE PART NO	PACKING SPECIFICATION	PRODUCT SPEC	DISCRPTION	No.	
(C4)(B3)	24V	PCN-124D3MHZ	PCN-124D3MHZ,001	3-1461491-8	107-79039 (TUBE)	REINFORCED INSURATION WASHABLE TYPE	d	
(C4)(B3)	4.5V	PCN-104D3MHZ	PCN-104D3MHZ,001	3-1461491-7	107-79039 (TUBE)			
	24V	PCN-124D3MHZ	PCN-124D3MHZ	3-1461491-6	107-79039 (TUBE)			108-79629
	23.5V	PCN-123D3MHZ	PCN-123D3MHZ	3-1461491-5	107-79039 (TUBE)			108-79628
	18V	PCN-118D3MHZ	PCN-118D3MHZ	3-1461491-4	107-79039 (TUBE)			108-79627
	12V	PCN-112D3MHZ	PCN-112D3MHZ	3-1461491-3	107-79039 (TUBE)			108-79626
	9V	PCN-109D3MHZ	PCN-109D3MHZ	3-1461491-2	107-79039 (TUBE)			108-79625
	6V	PCN-106D3MHZ	PCN-106D3MHZ	3-1461491-1	107-79039 (TUBE)			108-79624
	5V	PCN-105D3MHZ	PCN-105D3MHZ	3-1461491-0	107-79039 (TUBE)			108-79623
	4.5V	PCN-104D3MHZ	PCN-104D3MHZ	2-1461491-9	107-79039 (TUBE)			108-79622
	3V	PCN-103D3MHZ	PCN-103D3MHZ	2-1461491-8	107-79039 (TUBE)	108-79621		
	24V	PCN-124D3MZ	PCN-124D3MZ	2-1461491-7	107-79039 (TUBE)	108-79620		
	23.5V	PCN-123D3MZ	PCN-123D3MZ	2-1461491-6	107-79039 (TUBE)	108-79619		
	18V	PCN-118D3MZ	PCN-118D3MZ	2-1461491-5	107-79039 (TUBE)	108-79618		
	12V	PCN-112D3MZ	PCN-112D3MZ	2-1461491-4	107-79039 (TUBE)	108-79617		
	9V	PCN-109D3MZ	PCN-109D3MZ	2-1461491-3	107-79039 (TUBE)	108-79616		
	6V	PCN-106D3MZ	PCN-106D3MZ	2-1461491-2	107-79039 (TUBE)	108-79615		
	5V	PCN-105D3MZ	PCN-105D3MZ	2-1461491-1	107-79039 (TUBE)	108-79614		
	4.5V	PCN-104D3MZ	PCN-104D3MZ	2-1461491-0	107-79039 (TUBE)	108-79613		
	3V	PCN-103D3MZ	PCN-103D3MZ	1-1461491-9	107-79039 (TUBE)	108-79612		
						REINFORCED INSURATION PLASTIC SEALED TYPE	c	

24V	PCN-124D3MH	PCN-124D3MH	1-1461491-8	107-79039 (TUBE)	108-79611	STANDARD INSURATION WASHABLE TYPE	b
23.5V	PCN-123D3MH	PCN-123D3MH	1-1461491-7	107-79039 (TUBE)	108-79610		
18V	PCN-118D3MH	PCN-118D3MH	1-1461491-6	107-79039 (TUBE)	108-79609		
12V	PCN-112D3MH	PCN-112D3MH	1-1461491-5	107-79039 (TUBE)	108-79608		
9V	PCN-109D3MH	PCN-109D3MH	1-1461491-4	107-79039 (TUBE)	108-79607		
6V	PCN-106D3MH	PCN-106D3MH	1-1461491-3	107-79039 (TUBE)	108-79606		
5V	PCN-105D3MH	PCN-105D3MH	1-1461491-2	107-79039 (TUBE)	108-79605		
4.5V	PCN-104D3MH	PCN-104D3MH	1-1461491-1	107-79039 (TUBE)	108-79604		
3V	PCN-103D3MH	PCN-103D3MH	1-1461491-0	107-79039 (TUBE)	108-79603		
24V	PCN-124D3M	PCN-124D3M	1461491-9	107-79039 (TUBE)	108-79602		
23.5V	PCN-123D3M	PCN-123D3M	1461491-8	107-79039 (TUBE)	108-79601		
18V	PCN-118D3M	PCN-118D3M	1461491-7	107-79039 (TUBE)	108-79600		
12V	PCN-112D3M	PCN-112D3M	1461491-6	107-79039 (TUBE)	108-79599		
9V	PCN-109D3M	PCN-109D3M	1461491-5	107-79039 (TUBE)	108-79598		
6V	PCN-106D3M	PCN-106D3M	1461491-4	107-79039 (TUBE)	108-79597		
5V	PCN-105D3M	PCN-105D3M	1461491-3	107-79039 (TUBE)	108-79596		
4.5V	PCN-104D3M	PCN-104D3M	1461491-2	107-79039 (TUBE)	108-79595		
3V	PCN-103D3M	PCN-103D3M	1461491-1	107-79039 (TUBE)	108-79594		
						STANDARD INSURATION PLASTIC SEALED TYPE	a

15	UV RESIN
14	CASE (NATURAL)
14	CASE (BLACK)
13	EPOXY
12	MAGNETIC WIRE
11	CARD (NATURAL)
11	CARD (BLACK)
10	ARMATURE
9	STATIONARY CONTACT
8	STATIONARY TERMINAL
7	MOVABLE CONTACT
6	MOVABLE TERMINAL
5	BASE (NATURAL)
5	BASE (BLACK)
4	CORE
3	COIL TERMINAL B
2	COIL TERMINAL A
1	BOBBIN (BLACK ONLY)
TEM	DESCRIPTION

(B1) MOLD COLOR
 NATURAL: REINFORCED INSURATION MODEL
 強化絶縁品 (IEC1131-2 Conformed)
 BLACK: BASIC INSURATION MODEL
 基礎絶縁品 (IEC1131-2 Conformed)

PARTS LIST

THIS DRAWING IS A CONTROLLED DOCUMENT.		DWN M.MOCHIZUKI
DIMENSIONS: mm		CHK Y.OKAMOTO
TOLERANCES UNLESS OTHERWISE SPECIFIED:		APVD A.NAGAI
0 PLC ± -		PRODUCT SPEC
1 PLC ± -		APPLICATION SPEC
2 PLC ± -		WEIGHT
3 PLC ± -		CUSTOMER DRAWING
4 PLC ± -		
ANGLES ± -		
FINISH		
MATERIAL		

NAME		TE Connectivity	
PCN-D3M** CUSTOMER DRAWING		SIZE	CAGE CODE
DRAWING NO		RESTRICTED TO	
A300779		-	
C=1461491		SCALE	SHEET
5:1		2 of 3	
REV		G	

THIS DRAWING IS UNPUBLISHED. RELEASED FOR PUBLICATION
 © COPYRIGHT - By TE CONNECTIVITY ALL RIGHTS RESERVED.

LOC	DIST	REVISIONS					
HB	-	P	LTR	DESCRIPTION	DATE	DWN	APVD
		-		SEE SHEET 1	-	-	-

D

(C4) (B3)	24V	PCN-124D3MHZ	PCN-124D3MHZ,001	7-1461491-6	107-79043 (TRAY)								
(C4) (B3)	4.5V	PCN-104D3MHZ	PCN-104D3MHZ,001	7-1461491-5	107-79043 (TRAY)								
	24V	PCN-124D3MHZ	PCN-124D3MHZ	7-1461491-4	107-79043 (TRAY)	108-79629							
	23.5V	PCN-123D3MHZ	PCN-123D3MHZ	7-1461491-3	107-79043 (TRAY)	108-79628							
	18V	PCN-118D3MHZ	PCN-118D3MHZ	7-1461491-2	107-79043 (TRAY)	108-79627							
	12V	PCN-112D3MHZ	PCN-112D3MHZ	7-1461491-1	107-79043 (TRAY)	108-79626							
	9V	PCN-109D3MHZ	PCN-109D3MHZ	7-1461491-0	107-79043 (TRAY)	108-79625							
	6V	PCN-106D3MHZ	PCN-106D3MHZ	6-1461491-9	107-79043 (TRAY)	108-79624							
	5V	PCN-105D3MHZ	PCN-105D3MHZ	6-1461491-8	107-79043 (TRAY)	108-79623							
	4.5V	PCN-104D3MHZ	PCN-104D3MHZ	6-1461491-7	107-79043 (TRAY)	108-79622							
	3V	PCN-103D3MHZ	PCN-103D3MHZ	6-1461491-6	107-79043 (TRAY)	108-79621							
	24V	PCN-124D3MZ	PCN-124D3MZ	6-1461491-5	107-79043 (TRAY)	108-79620							
	23.5V	PCN-123D3MZ	PCN-123D3MZ	6-1461491-4	107-79043 (TRAY)	108-79619							
	18V	PCN-118D3MZ	PCN-118D3MZ	6-1461491-3	107-79043 (TRAY)	108-79618							
	12V	PCN-112D3MZ	PCN-112D3MZ	6-1461491-2	107-79043 (TRAY)	108-79617							
	9V	PCN-109D3MZ	PCN-109D3MZ	6-1461491-1	107-79043 (TRAY)	108-79616							
	6V	PCN-106D3MZ	PCN-106D3MZ	6-1461491-0	107-79043 (TRAY)	108-79615							
	5V	PCN-105D3MZ	PCN-105D3MZ	5-1461491-9	107-79043 (TRAY)	108-79614							
	4.5V	PCN-104D3MZ	PCN-104D3MZ	5-1461491-8	107-79043 (TRAY)	108-79613							
	3V	PCN-103D3MZ	PCN-103D3MZ	5-1461491-7	107-79043 (TRAY)	108-79612							
	PART B	PART A	DESCRIPTION	TE PART NO	PACKING SPECIFICATION	PRODUCT SPEC	DISCRPTION	No.					

REINFORCED
INSURATION
WASHABLE
TYPE

REINFORCED
INSURATION
PLASTIC SEALED
TYPE

C

D

C

24V	PCN-124D3MH	PCN-124D3MH	5-1461491-6	107-79043 (TRAY)	108-79611								
23.5V	PCN-123D3MH	PCN-123D3MH	5-1461491-5	107-79043 (TRAY)	108-79610								
18V	PCN-118D3MH	PCN-118D3MH	5-1461491-4	107-79043 (TRAY)	108-79609								
12V	PCN-112D3MH	PCN-112D3MH	5-1461491-3	107-79043 (TRAY)	108-79608								
9V	PCN-109D3MH	PCN-109D3MH	5-1461491-2	107-79043 (TRAY)	108-79607								
6V	PCN-106D3MH	PCN-106D3MH	5-1461491-1	107-79043 (TRAY)	108-79606								
5V	PCN-105D3MH	PCN-105D3MH	5-1461491-0	107-79043 (TRAY)	108-79605								
4.5V	PCN-104D3MH	PCN-104D3MH	4-1461491-9	107-79043 (TRAY)	108-79604								
3V	PCN-103D3MH	PCN-103D3MH	4-1461491-8	107-79043 (TRAY)	108-79603								
24V	PCN-124D3M	PCN-124D3M	4-1461491-7	107-79043 (TRAY)	108-79602								
23.5V	PCN-123D3M	PCN-123D3M	4-1461491-6	107-79043 (TRAY)	108-79601								
18V	PCN-118D3M	PCN-118D3M	4-1461491-5	107-79043 (TRAY)	108-79600								
12V	PCN-112D3M	PCN-112D3M	4-1461491-4	107-79043 (TRAY)	108-79599								
9V	PCN-109D3M	PCN-109D3M	4-1461491-3	107-79043 (TRAY)	108-79598								
6V	PCN-106D3M	PCN-106D3M	4-1461491-2	107-79043 (TRAY)	108-79597								
5V	PCN-105D3M	PCN-105D3M	4-1461491-1	107-79043 (TRAY)	108-79596								
4.5V	PCN-104D3M	PCN-104D3M	4-1461491-0	107-79043 (TRAY)	108-79595								
3V	PCN-103D3M	PCN-103D3M	3-1461491-9	107-79043 (TRAY)	108-79594								
PART B	PART A	DESCRIPTION	TE PART NO	PACKING SPECIFICATION	PRODUCT SPEC	DISCRPTION	No.						

STANDARD
INSURATION
WASHABLE
TYPE

STANDARD
INSURATION
PLASTIC SEALED
TYPE

B

A

B

A


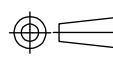
(D)	15	UV RESIN
	14	CASE (NATURAL)
	14	CASE (BLACK)
	13	EPOXY
	12	MAGNETIC WIRE
	11	CARD (NATURAL)
	11	CARD (BLACK)
	10	ARMATURE
	9	STATIONARY CONTACT
	8	STATIONARY TERMINAL
	7	MOVABLE CONTACT
	6	MOVABLE TERMINAL
	5	BASE (NATURAL)
	5	BASE (BLACK)
	4	CORE
	3	COIL TERMINAL B
	2	COIL TERMINAL A
	1	BOBBIN (BLACK ONLY)
TEM		DESCRIPTION

(B3) (B1)

(B3) (B1)

MOLD COLOR
 NATURAL: REINFORCED INSURATION MODEL
 強化絶縁品 (IEC1131-2 Conformed)
 BLACK: BASIC INSURATION MODEL
 基礎絶縁品 (IEC1131-2 Conformed)

PARTS LIST

THIS DRAWING IS A CONTROLLED DOCUMENT.		DWN M.MOCHIZUKI	 TE Connectivity	
		CHK Y.OKAMOTO		
DIMENSIONS: mm		APVD A.NAGAI	NAME	
		PRODUCT SPEC	PCN-D3M** CUSTOMER DRAWING	
TOLERANCES UNLESS OTHERWISE SPECIFIED: 0 PLC ± - 1 PLC ± - 2 PLC ± - 3 PLC ± - 4 PLC ± - ANGLES ± -		APPLICATION SPEC	SIZE	CAGE CODE
MATERIAL		WEIGHT	A3	00779
FINISH		CUSTOMER DRAWING	DRAWING NO	RESTRICTED TO
			C-1461491	
		SCALE	SHEET	REV
		5:1	3 of 3	G

X-ON Electronics

Largest Supplier of Electrical and Electronic Components

Click to view similar products for [General Purpose Relays](#) category:

Click to view products by [TE Connectivity](#) manufacturer:

Other Similar products are found below :

[APF30318](#) [JVN1AF-4.5V-F](#) [PCN-105D3MHZ](#) [5JO-10000S-SIL](#) [5JO-1000CD-SIL](#) [5JO-400CD-SIL](#) [LY2S-AC220/240](#) [LYQ20DC12](#)
[6031007G](#) [6131406HQ](#) [6-1393099-3](#) [6-1393099-8](#) [6-1393122-4](#) [6-1393123-2](#) [6-1393767-1](#) [6-1393843-7](#) [6-1415012-1](#) [6-1419102-2](#) [6-](#)
[1423698-4](#) [6-1608051-6](#) [6-1608067-0](#) [6-1616170-6](#) [6-1616248-2](#) [6-1616282-3](#) [6-1616348-2](#) [6-1616350-1](#) [6-1616350-8](#) [6-1616358-7](#) [6-](#)
[1616359-9](#) [6-1616360-9](#) [6-1616931-6](#) [6-1617039-1](#) [6-1617052-1](#) [6-1617090-2](#) [6-1617090-5](#) [6-1617347-5](#) [6-1617353-3](#) [6-1617801-8](#) [6-](#)
[1617802-2](#) [6-1618107-9](#) [6-1618248-4](#) [M83536/1-027M](#) [CX-4014](#) [MAHC-5494](#) [MAVCD-5419-6](#) [703XCX-120A](#) [7-1393100-5](#) [7-1393111-7](#)
[7-1393144-5](#) [7-1393767-8](#)