

128 X 64 GRAPHIC OLED MODULE, 3.0V, GREEN PIXEL COLOR, W/ BLACK BACKGROUND

CONFECTIONAL INFORMATION  
 \*\*THE SPECIFICATIONS MAY CHANGE AT ANY TIME WITHOUT NOTICE DUE TO NEW MATERIALS OR PRODUCT IMPROVEMENT.\*\*

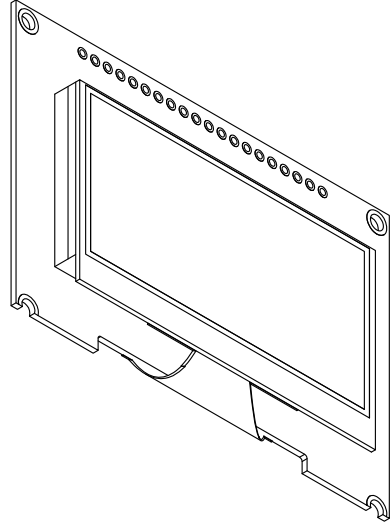
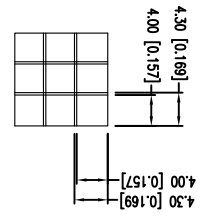
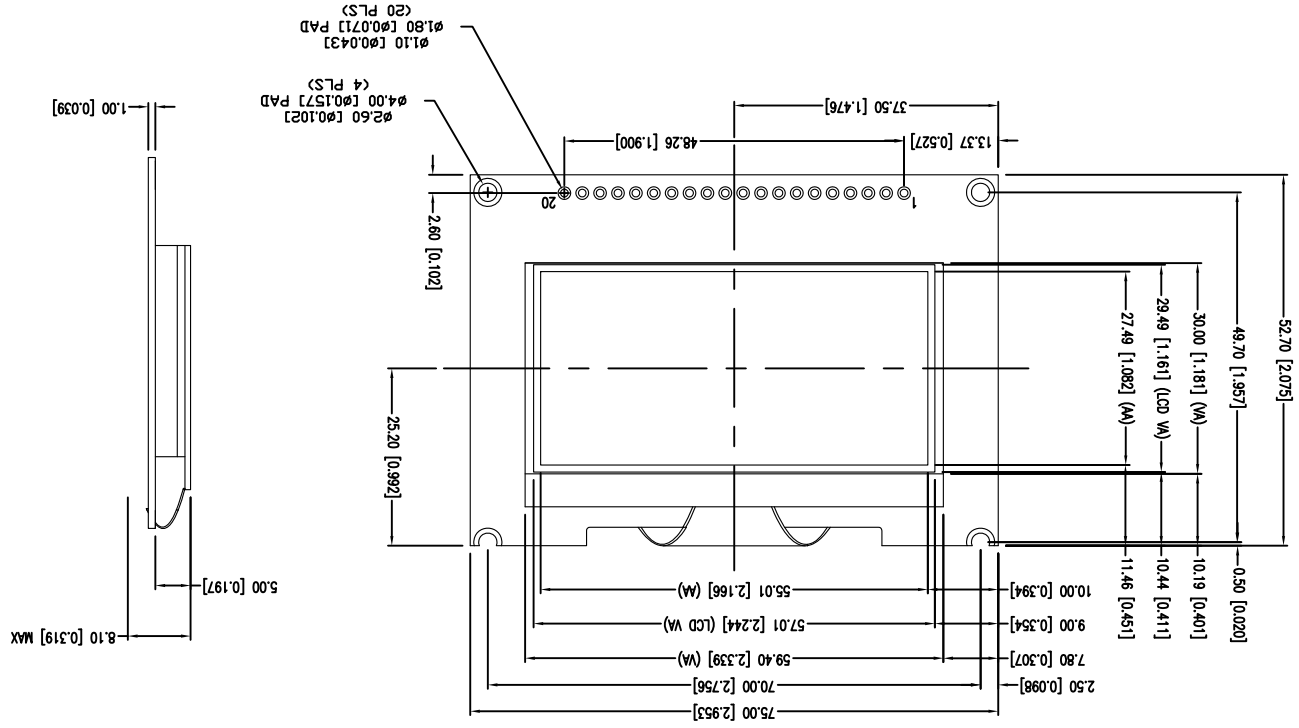
KEEP ALL INFORMATION CONTAINED IN THIS DOCUMENT IS THE PROPERTY OF LUMEX INC. EXCEPT AS SPECIALLY AUTHORIZED IN WRITING BY LUMEX INC., THE HOLDER OF THIS DOCUMENT SHALL NOT BE REPRODUCED OR TRANSMITTED IN ANY FORM OR BY ANY MEANS, ELECTRONIC OR MECHANICAL, INCLUDING PHOTOCOPYING, RECORDING, OR BY ANY INFORMATION STORAGE AND RETRIEVAL SYSTEM.

DATE: 05.22.15	DRAWN BY: MJK
PAGE: 1 OF 2	CHKD BY: --
SCALE: NTS	APRD BY: --
UNIT: mm [INCH]	

CAUTION: STATIC SENSITIVE DEVICE  
 FOLLOW PROPER E.S.D. HANDLING PROCEDURES  
 WHEN WORKING WITH THIS PART.

UNLESS OTHERWISE SPECIFIED TOLERANCES PER DECIMAL PRECISION ARE: X±1 (±0.039), X.X=±0.5 (±0.020), X.XX=±0.25 (±0.010), X.XXX=±0.127 (±0.005), LEAD SIZE=±0.05 (±0.002), LEAD LENGTH=±0.75 (±0.030), MIN= -0.00 -DECIMAL PRECISION MAX= +0.00 -DECIMAL PRECISION

- NOTES:
1. BLACK BACKGROUND.
  2. PIXEL COLOR GREEN.
  3. MINIMUM VIEWING ANGLE OF 65° FROM
  4. WISCHIP SEMI US2066
  - 12.3,6,9, 0° CLOCK.
  - CONTROLLER.



128 X64 GRAPHIC OLED MODULE, 3.0V, GREEN PIXEL COLOR, W/ BLACK BACKGROUND

\*\*\*THE SPECIFICATIONS MAY CHANGE AT ANY TIME WITHOUT NOTICE DUE TO NEW MATERIALS OR PRODUCT IMPROVEMENT.\*\*

CONFIDENTIAL INFORMATION  
 THE INFORMATION CONTAINED IN THIS DOCUMENT IS THE PROPERTY OF LUMEX INC. EXCEPT AS SPECIFICALLY AUTHORIZED IN WRITING BY LUMEX INC., THE HOLDER OF THIS DOCUMENT SHALL KEEP ALL INFORMATION CONTAINED HEREIN CONFIDENTIAL AND SHALL PROTECT SAME IN WHOLE OR IN PART FROM DISCLOSURE AND DISSEMINATION TO ALL THIRD PARTIES.

DATE: 05-22-15	DRAWN BY: MAJ
PAGE: 2 OF 2	CHKD BY: --
SCALE: NTS	APRVD BY: --
UNIT: mm [INCH]	(P)

UNLESS OTHERWISE SPECIFIED TOLERANCES PER DECIMAL PRECISION ARE: X=±1 (±0.039), X'=±0.5 (±0.020), X.XX=±0.25 (±0.010), X.XXX=±0.127 (±0.005), LEAD SIZE=±0.05 (±0.002), LEAD LENGTH=±0.75 (±0.030), MIN=-0.00, ±DECIMAL PRECISION MAX.=±0.00, ±DECIMAL PRECISION

UNCONTROLLED DOCUMENT

**ELECTRICAL/OPTO CHARACTERISTICS**  
 $V_{DD}=2.8V$ ,  $V_{CG}=13.0V$ ,  $80cd/m^2$ , 50% PIXEL ON

ITEM	SYMBOL	CONDITION	STANDARD VALUE		UNIT
			MIN.	MAX.	
SUPPLY VOLTAGE FOR LOGIC	$V_{DD-VSS}$	-	2.8	3.0	V
SUPPLY VOLTAGE FOR PANEL	$V_{CC-VSS}$	-	12.5	13.0	V
INPUT VOLTAGE	HIGH	$V_{IH}$	0.8VDD	VDD	V
	LOW	$V_{IL}$	0	0.2VDD	V
OUTPUT VOLTAGE	HIGH	$V_{OH}$	0.9VDD	VDD	V
	LOW	$V_{OL}$	0	0.1VDD	V
OLED DRIVING CURRENT	IDD	-	-	50	mA
VIEW ANGLE			160	-	deg
DARK ROOM CONTRAST			-	2000:1	-
BRIGHTNESS W/POLARIZER			-	80	cd/m <sup>2</sup>

\*BRIGHTNESS=80cd/m<sup>2</sup>,  $T_a=25^{\circ}C$ , 60% RH, VDD=5.0V, VCC=12.0V, 100% DISPLAY AREA TURN ON.

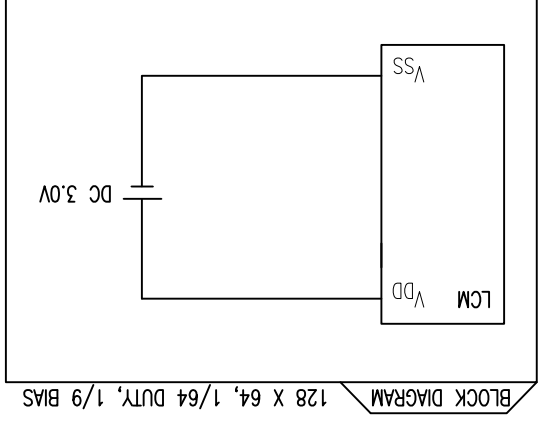
**ABSOLUTE MAXIMUM RATINGS**

ITEM	SYMBOL	TEST CONDITION	STANDARD VALUE		UNIT
			MIN	MAX	
SUPPLY VOLTAGE FOR LOGIC	$V_{DD-VSS}$	$T_a=25^{\circ}C$	2.8	3.3	V
SUPPLY VOLTAGE FOR PANEL	$V_{CC-VSS}$	$T_a=25^{\circ}C$	12.5	13.5	V
HUMIDITY			-	85	%
OPERATING TEMPERATURE*	$T_{opr}$	-	-40	70	$^{\circ}C$
STORAGE TEMPERATURE	$T_{stg}$	-	-40	85	$^{\circ}C$

OPERATING LIFE 40,000 HRS  
 END OF LIFE IS SPECIFIED AS 50% OF INITIAL BRIGHTNESS

**PIN CONFIGURATION**

PIN NO.	SYMBOL	LEVEL	DESCRIPTION
1	$V_{DD}$	3.0V	SUPPLY VOLTAGE FOR LOGIC
2	$V_{SS}$	0V	SUPPLY VOLTAGE FOR LOGIC GROUND
3	NC	-	-
4	DB0	H/L	DATA BIT 0
5	DB1	H/L	DATA BIT 1
6	DB2	H/L	DATA BIT 2
7	DB3	H/L	DATA BIT 3
8	DB4	H/L	DATA BIT 4
9	DB5	H/L	DATA BIT 5
10	DB6	H/L	DATA BIT 6
11	DB7	H/L	DATA BIT 7
12	CSI	2-0	CHIP SELECTION PIN
13	NC	-	NO CONNECTION
14	/RST	-	HARDWARE RESET PIN
15	R/W	H/L	H:READ (MPU-->MODULE);L:WRITE(MPU-->MODULE)
16	D/I	H/L	H: DATA, L: COMMAND
17	E	H/H >L	CHIP ENABLE SIGNAL
18	$V_{CC}$	13.0V	SUPPLY VOLTAGE FOR PANEL(POSITIVE VOLTAGE OUTPUT)
19	NC	-	-
20	NC	-	-



## X-ON Electronics

Largest Supplier of Electrical and Electronic Components

*Click to view similar products for [LCD Character Display Modules & Accessories](#) category:*

*Click to view products by [Lumex](#) manufacturer:*

Other Similar products are found below :

[HG9Z-AC501](#) [HG9Z-SCI25B](#) [HG9Z-XC300](#) [LCD-S401M14TF](#) [LCM-H04002DWN-1G](#) [LCM-S01602DTRA-3](#) [HDM16216L-S-L30S](#)  
[HG9Z-XC13A](#) [HG9Z-XC213](#) [C216L01YBW00](#) [LCM-S01602DSF/Q](#) [EA FL-10P](#) [MDLS-161612-G-LV-LED4G](#) [MDLS24265LVLED04](#)  
[MDLS-20265-LV-GLED4G](#) [NHD-0420AZ-FSW-GBW-33V33-0](#) [PC2004LRS-AWB-B-Q](#) [CM1644-SGR1](#) [C216W01BBW00](#)  
[C420W01NBW00](#) [C220W04NBW00](#) [C220L01YBWR00](#) [C216N04YBW00](#) [G64128W23NBW00](#) [G64128W18NBW00](#) [G64128Z24UBW00](#)  
[G64128W20NBW00](#) [G64128W20BBW00](#) [G64128W22BBW00](#) [G64128W25NBW00](#) [162A BC BW](#) [LCM-S02002DSM-Y](#) [MOP-AL202C-](#)  
[BYFY-25E-3IN](#) [NHD-0416BZ-FL-GBW-SED](#) [162D BA BC](#) [MDLS-20464-LV-GLED4G](#) [MDLS-40466-G-HV](#) [HDM24216H-2-P9XS](#)  
[MIKROE-4169](#) [MDLS-82603-LV-G](#) [MDLS-16263-C-LV-G-LED01G-FFC](#) [VIM-404-DP-RC-S-HV](#) [LCD-S401M16KR](#) [LED4-20265](#) [NHD-](#)  
[0440WH-ATFH-JT#](#) [EA 9907-DIP](#) [GLK12232A25SMUSBWBVSE](#) [GLK19264A-7T-1U-USB-FGW](#) [GLK19264A-7T-1U-USB-WB](#)  
[GLK12232A25SMUSBGWVSE](#)