



LOK Fixing Base

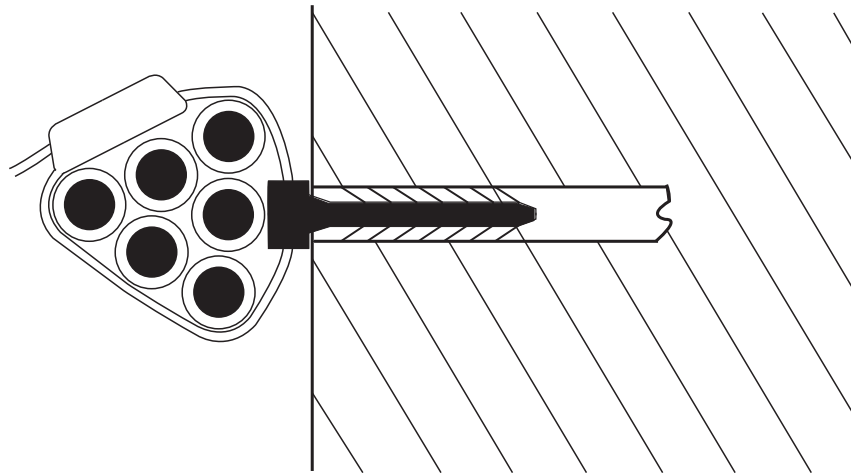
Features and Benefits

The LOK01 - LOK05 were primarily designed to be used with the RPE and PE series of cable ties but will function just as well with any cable ties up to 9 mm wide.

Suitable for use in a wide range of materials including, concrete, brick, block or wood.

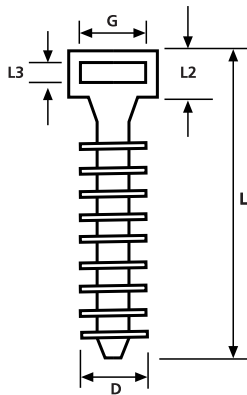
Installed by knocking into a 7 mm or 8 mm diameter hole (depending on the material).

The LOK01B is designed for soft brickwork and 6 mm holes. Because of its elongated head, the bundles can be located at a distance from the brickwork with the LOK05.

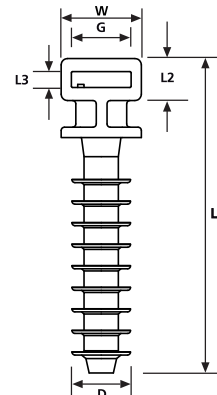


Application

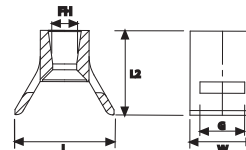
The LOK mounts, in conjunction with a cable tie can be used either indoors or outdoors for a diverse range of applications from holding climbing plants, to securing cables running between buildings.



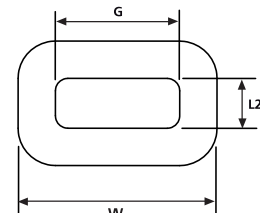
LOK01, LOK01B, LOK01S Fixing Base



LOK05 Fixing Base



LOK02 Fixing Base



LOK04 Fixing Base

Material Data	
Material	Polyamide 6.6 (PA66)
Operating Temperature	-40 °C to +85 °C Continuous, (+105 °C for 500 h)
Flammability	UL94 V2



Material Data	
Material	Polyamide 6 high impact modified (PA6HIR)
Operating Temperature	-40 °C to +105 °C Continuous, (+105 °C for 500 h)
Flammability	UL94 HB

Technical Table

Article-No.	Type	Length (L)	Length (L2)	Length (L3)	Width (W)	Ø D	Strap Width max. (G)	Fixing Hole Ø (FH)	Colour	Material
151-80110	LOK01	44.0	6.5	2.5	12.0	9.2	9.0	7.0-8.0	Black (BK)	PA6HIR
151-80210	LOK02	21.0	18.0	-	14.0	-	9.0	4.9-5.1	Black (BK)	PA6HIR
151-80500	LOK01B	30.0	6.5	2.5	12.0	7.2	9.0	6.0	Black (BK)	PA6HIR
151-80600	LOK01S	34.0	6.5	2.5	12.0	9.2	9.0	7.0-8.0	Black (BK)	PA6HIR
151-80700	LOK05	49.0	12.5	2.5	12.0	9.2	9.0	7.0-8.0	Black (BK)	PA66
151-80410	LOK04	-	-	4.0	16.0	-	9.0	-	Black (BK)	PA66

All dimensions in mm. Subject to technical changes.

X-ON Electronics

Largest Supplier of Electrical and Electronic Components

Click to view similar products for [Wire Identification](#) category:

Click to view products by [Hellermann](#) manufacturer:

Other Similar products are found below :

[CU6337-000](#) [CU6342-000](#) [FCA-410-12](#) [11631010](#) [1-1768037-1](#) [1-1768037-2](#) [1-1768050-0](#) [PXLK-VI](#) [Q62184-1](#) [A64304-000](#) [QMT221](#)
[HK032WE1NF038B](#) [1330-0519-10](#) [1395199-1](#) [1395200-1](#) [1395202-1](#) [DMVF050WE-300S6](#) [D-SCE-1K-2.4-50-4-CS7834](#) [1538738-1](#)
[E90935-000](#) [EC1238-000](#) [EC1465-000](#) [EC1855-000](#) [EC1859-000](#) [EC1863-000](#) [EC5415-000](#) [EC7277-000](#) [EC7352-000](#) [EC7603-000](#)
[EC7707-000](#) [EC7735-000](#) [EC7768-000](#) [EC7828-000](#) [EC7854-000](#) [EC7952-000](#) [EC8128-000](#) [1768037-8](#) [1768041-7](#) [NC-127191-10-9](#)
[HS048WE2NF038B](#) [C03232-000](#) [HTCM-SCE-14-4H-9](#) [HTMS-3/16-9](#) [HT-SCE-1/4-2.0-4](#) [HT-SCE-3/16-2.0-4](#) [HTTMS-1/2-1.50-9](#) [HTTMS-](#)
[CM-1/2-4H-9](#) [HX-SCE-19.0-50-9](#) [HX-SCE-6.4-50-4](#) [C25254-000](#)