

# Plug-In Current Transformers

with CAGE CLAMP® connector



	<b>Plug-In Current Transformers</b> Secondary rated current: 1 A	<b>Plug-In Current Transformers</b> Secondary rated current: 5 A
--	---	---

### Short description:

The 855 Series Plug-In Current Transformers are inductive, single-conductor current transformers. Based on the principle of measurement, current transformers of this type are used exclusively in AC networks.

### Features:

- Screwless CAGE CLAMP® connection technology
- Several mounting options available
- Vibration- and shock-resistant
- High mechanical retention forces
- High current-carrying capacity
- Continuous overload of 120 % the nominal primary current
- Low-voltage current transformer for max. operating voltages up to 1.2 kV
- Can be used in 690 V power networks
- UL Recognized Components



Description	I <sub>pN</sub>	I <sub>sN</sub>	S <sub>N</sub>	G	Item No.	Pack. Unit	I <sub>pN</sub>	I <sub>sN</sub>	S <sub>N</sub>	G	Item No.	Pack. Unit
Plug-in current transformer	50 A	1 A	1.25	3	855-301/050-103	1	50 A	5 A	1.25	3	855-305/050-103	1
	60 A	1 A	1.25	1	855-301/060-101	1	60 A	5 A	1.25	1	855-305/060-101	1
	75 A	1 A	2.5VA	1	855-301/075-201	1	75 A	5 A	2.5VA	1	855-305/075-201	1
	100 A	1 A	2.5VA	1	855-301/100-201	1	100 A	5 A	2.5VA	1	855-305/100-201	1
	150 A	1 A	5VA	1	855-301/150-501	1	150 A	5 A	5VA	1	855-305/150-501	1
	200 A	1 A	5VA	1	855-301/200-501	1	200 A	5 A	5VA	1	855-305/200-501	1
	250 A	1 A	5VA	1	855-301/250-501	1	250 A	5 A	5VA	1	855-305/250-501	1
I <sub>pN</sub> = Primary rated current	400 A	1 A	10VA	1	855-301/400-1001	1	400 A	5 A	10VA	1	855-305/400-1001	1
I <sub>sN</sub> = Secondary rated current	600 A	1 A	10VA	1	855-301/600-1001	1	600 A	5 A	10VA	1	855-305/600-1001	1
S <sub>N</sub> = Rated power	400 A	1 A	5VA	1	855-401/400-501	1	400 A	5 A	5VA	1	855-405/400-501	1
G = Accuracy class	1000 A	1 A	10VA	1	855-501/1000-1001	1	1000 A	5 A	10VA	1	855-505/1000-1001	1

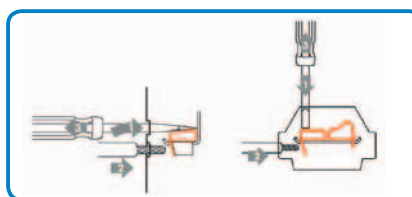
### Technical Data

Input:		
Rated continuous thermal current I <sub>cth</sub>	1.2 x I <sub>N</sub>	1.2 x I <sub>N</sub>
Rated short-time thermal current I <sub>th</sub>	60 x I <sub>N</sub> (max.100 kA), 1 s	60 x I <sub>N</sub> (max.100 kA), 1 s
Max. operating voltage V <sub>m</sub>	1.2 kV	1.2 kV
Rated frequency	50 Hz ... 60 Hz	50 Hz ... 60 Hz
Overcurrent limiting factor	FS5 or FS10 (type-dependent, see type plate inscription)	FS5 or FS10 (type-dependent, see type plate inscription)
<b>Environmental requirements:</b>		
Ambient operating temperature	-5 °C ... +50 °C	-5 °C ... +50 °C
Storage temperature	-25 °C ... +70 °C	-25 °C ... +70 °C
Max. operating altitude	1000 m	1000 m
<b>Safety and protection:</b>		
Test voltage	6 kV <sub>rms</sub> AC / 50 Hz / 1 min	6 kV <sub>rms</sub> AC / 50 Hz / 1 min
Insulation class	E	E
<b>Connection and type of mounting:</b>		
Connection technology (1)	CAGE CLAMP®	CAGE CLAMP®
Cross sections	0.08 mm <sup>2</sup> ... 4 mm <sup>2</sup> / AWG 28 ... 12	0.08 mm <sup>2</sup> ... 4 mm <sup>2</sup> / AWG 28 ... 12
Strip lengths	9 ... 10 mm / 0.37 in	9 ... 10 mm / 0.37 in
<b>Standards and approvals:</b>		
Conformity marking	CE	CE
Standards/Specifications	EN 61869-1; EN 61869-2	EN 61869-1; EN 61869-2
UL (Recognized Components)	E356480	E356480

Accessories	Item No.	Pack. Unit
Carrier rail adapter for plug-in current transformers (for 855-3xx/xxxx-xxxx and 855-4xx/xxx-xxxx)	855-9900	1
Quick-mount kit	855-9910	1
Operating tool, with partially insulated shaft, type 2, blade (3.5 x 0.5) mm	210-720	1
Connector assembly for current transformer	2007-8873	1

**Connection / Connection Assignment**

Implementation of the primary winding is designated with "K-P1" and "L-P2." Connections for the secondary winding are designated with the corresponding lower case letters "k-S1" and "l-S2."

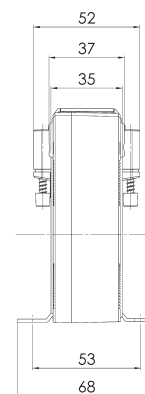
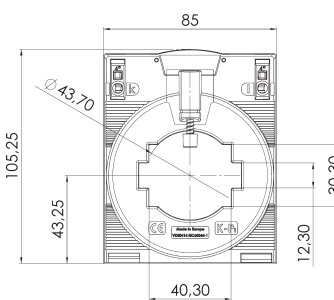
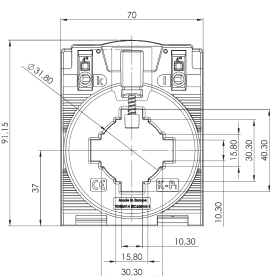
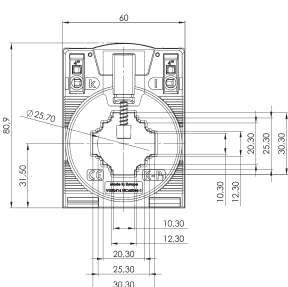


**Dimensions:**

Item No.  
855-3xx/xxxx-xxxx

Item No.  
855-4xx/xxxx-xxxx

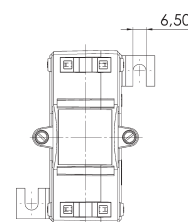
Item No.  
855-5xx/xxxx-xxxx



Current bar 1: 30 x 10 mm  
Current bar 2: 25 x 12 mm  
Current bar 3: 20 x 20 mm  
Round cable: 26 mm

Current bar 1: 40 x 10 mm  
Current bar 2: 30 x 15 mm  
Round cable: 32 mm

Current bar 1: 50 x 12 mm  
Current bar 2: 40 x 30 mm  
Round cable: 44 mm



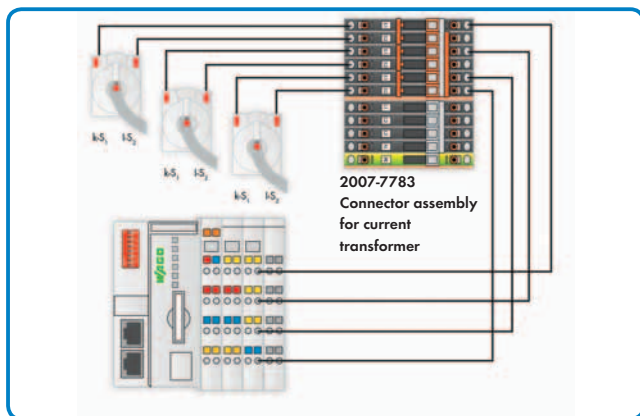
Width: 60 mm  
Overall height: 80.5 mm  
Overall depth: 52 mm

Width: 70 mm  
Overall height: 91 mm  
Overall depth: 52 mm

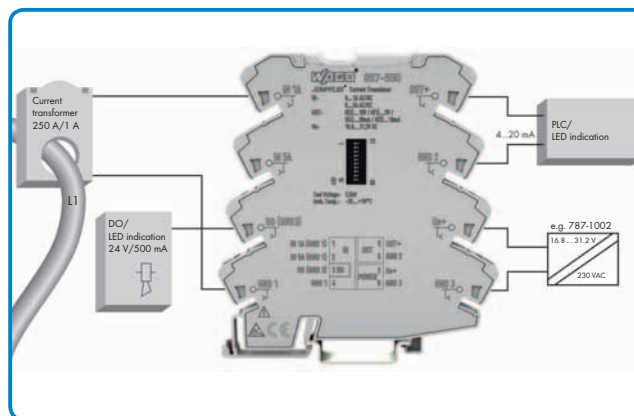
Width: 85 mm  
Overall height: 105.25 mm  
Overall depth: 52 mm

**Application examples:**

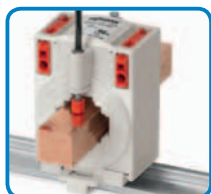
**750 Series (3-Phase Power Measurement Module)**



**857 Series (JUMPFLEX® Current Transducer)**



**Mounting Options**



Mounting on round cable

Mounting on copper current bar

Mounting on carrier rail with carrier rail adapter

Mounting on mounting plate

Quick-mount installation for conductors

**Note:**

\* The carrier rail adapter is only suitable for 855-3xx/xxxx-xxxx and 855-4xx/xxxx-xxxx transformers.

## X-ON Electronics

Largest Supplier of Electrical and Electronic Components

*Click to view similar products for [Wago manufacturer](#):*

Other Similar products are found below :

[750-460](#) [231-118/026-000](#) [231-303/026-000](#) [231-620/019-000](#) [257-403](#) [280-438](#) [280-831](#) [284-624](#) [284-681](#) [206-861](#) [210-111](#) [231-303/037-000](#) [231-446/001-000\\_NR](#) [231-833/001-000](#) [232-216/026-000](#) [234-510](#) [264-726](#) [280-339](#) [793-500 2](#) [51228988](#) [209-132](#) [830-800/000-305](#) [788-507](#) [750-512](#) [264-321](#) [279-101](#) [281-365](#) [713-1428/107-000](#) [731-138/048-000](#) [750-459](#) [750-517](#) [750-601](#) [793-3505](#) [231-535/001-000](#) [2624-1103](#) [787-712](#) [713-1407](#) [2000-5457](#) [221-525](#) [832-1206](#) [832-3604](#) [281-512/281-501](#) [286-336](#) [288-437](#) [750-421](#) [750-838](#) [753-559](#) [750-1505](#) [787-732](#) [753-437](#)