

Plug-In Current Transformers, 855 Series

with the *picoMAX*[®] pluggable connector



| | | |
|--|---|---|
| | Primary rated current: 35 A Secondary rated current: 1 A | Primary rated current: 64 A Secondary rated current: 1 A |
|--|---|---|

Short description:

The 855 Series Plug-In Current Transformers are inductive, single-conductor current transformers. Due to the measurement principle used, these current transformers are exclusively designed for AC network applications.

Features:

- First current transformer featuring *picoMAX*[®] connection technology
- Also suitable for space-restricted applications
- Simple assembly permits 17.5 mm phase spacing, allowing perfect adjustment to any circuit breaker.
- Easy mounting on DIN rails or panels via carrier rail adapter
- Converts currents from 64 A or 35 A to 1 A
- Accuracy class 1



| Description | I _{pr} | I _{sr} | S _r | G | Item No. | Pack. Unit | I _{pr} | I _{sr} | S _r | G | Item No. | Pack. Unit |
|---|-----------------|-----------------|----------------|---|------------------|------------|-----------------|-----------------|----------------|---|------------------|------------|
| Plug-in current transformer | 35 A | 1 A | 0.2VA | 1 | 855-2701/035-001 | 15 | 64 A | 1 A | 0.2VA | 1 | 855-2701/064-001 | 15 |
| I _{pr} = Primary rated current | | | | | | | | | | | | |
| I _{sr} = Secondary rated current | | | | | | | | | | | | |
| S _r = Rated power | | | | | | | | | | | | |
| G = Accuracy class | | | | | | | | | | | | |

Technical Data

| Input: | | |
|---|---|---|
| Rated continuous thermal current I _{cth} | 100 % | 100 % |
| Rated short-time thermal current I _{th} | 60 x I _{pr} / 1 s | 60 x I _{pr} / 1 s |
| Rated surge current I _{dyn} | 2.5 x I _{th} | 2.5 x I _{th} |
| Max. operating voltage V _m | 0.72/3/- kV | 0.72/3/- kV |
| Rated frequency f _R | 50 Hz ... 60 Hz | 50 Hz ... 60 Hz |
| Environmental requirements: | | |
| Ambient operating temperature | -10 °C ... +55 °C | -10 °C ... +55 °C |
| Storage temperature | -20 °C ... +70 °C | -20 °C ... +70 °C |
| Rel. humidity | 5 % ... 85 % (non-condensing) | 5 % ... 85 % (non-condensing) |
| Max. operating altitude | 2000 m | 2000 m |
| Safety and protection: | | |
| Degree of protection | IP20 | IP20 |
| Insulation class | E (120 °C) | E (120 °C) |
| Housing material | PA 6.6 | PA 6.6 |
| Flammability rating | V2 (UL94) | V2 (UL94) |
| Connection: | | |
| Power cable feed-through | Ø 7.5 mm | Ø 7.5 mm |
| Wire connection | Push-in CAGE CLAMP [®] (<i>picoMAX</i> [®] 3.5, 2091-1122) | Push-in CAGE CLAMP [®] (<i>picoMAX</i> [®] 3.5, 2091-1122) |
| Cross sections | 0.2 mm ² ... 1.5 mm ² / AWG 24 ... 14 | 0.2 mm ² ... 1.5 mm ² / AWG 24 ... 14 |
| Strip lengths | 8 ... 9 mm / 0.31 ... 0.35 in | 8 ... 9 mm / 0.31 ... 0.35 in |
| Standards and approvals: | | |
| Conformity marking | CE | CE |
| Standards/Specifications | EN 61869-2; EN 61010-1 | EN 61869-2; EN 61010-1 |

| Accessories | Item No. | Pack. Unit |
|--|-----------|------------|
| Carrier rail adapter for plug-in current transformer | 855-9927 | 1 |
| Connector assembly for current transformer | 2007-8873 | 1 |
| Operating tool, with partially insulated shaft, type 2, blade (3.5 x 0.5) mm | 210-720 | 1 |

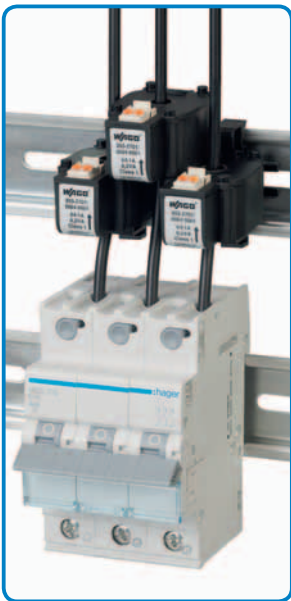
Termination



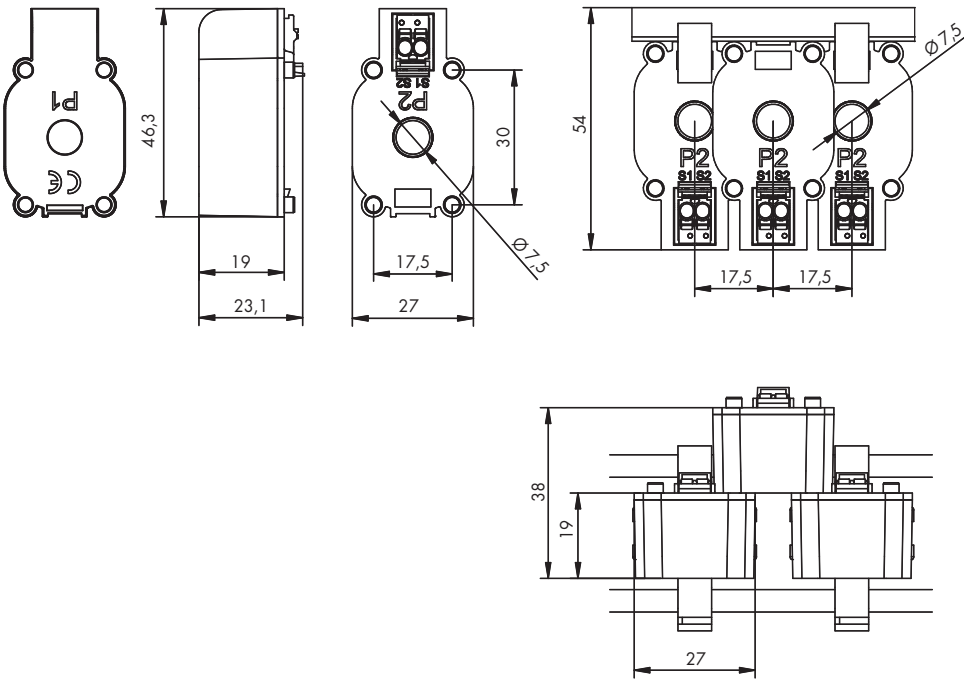
Mounting



Application



Dimensions



X-ON Electronics

Largest Supplier of Electrical and Electronic Components

Click to view similar products for [wago manufacturer](#):

Other Similar products are found below :

[750-460](#) [231-118/026-000](#) [231-303/026-000](#) [231-620/019-000](#) [257-403](#) [280-438](#) [280-831](#) [284-624](#) [210-111](#) [231-303/037-000](#) [231-446/001-000_NR](#) [232-216/026-000](#) [234-510](#) [264-726](#) [280-339](#) [0283-0671](#) [830-800/000-305](#) [750-512](#) [750-455](#) [51251782](#) [286-312](#) [713-1428/107-000](#) [731-138/048-000](#) [750-459](#) [750-517](#) [793-3505](#) [826-172](#) [859-304](#) [280-335](#) [231-535/001-000](#) [2604-1106](#) [2604-1504](#) [2606-1103/020-000](#) [2624-1103](#) [2626-3103/020-000](#) [821-104](#) [713-1107](#) [852-1411](#) [2106-1307](#) [2116-5307](#) [832-1205](#) [832-3604](#) [2009-110](#) [281-512/281-501](#) [286-336](#) [750-421](#) [750-838](#) [753-559](#) [750-1505](#) [787-732](#)