

# DATA SHEET

**ETD34/17/11**  
ETD cores and accessories

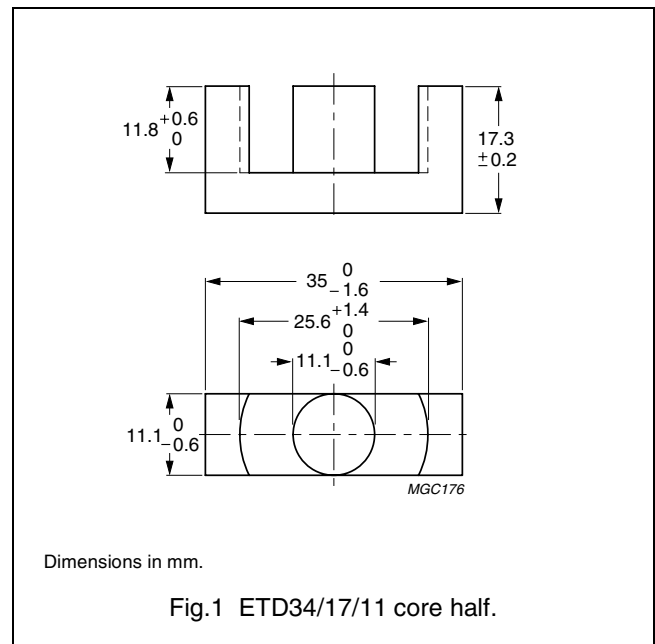
Supersedes data of September 2004

2008 Sep 01

**CORE SETS**

**Effective core parameters**

SYMBOL	PARAMETER	VALUE	UNIT
$\Sigma(l/A)$	core factor (C1)	0.810	mm <sup>-1</sup>
$V_e$	effective volume	7640	mm <sup>3</sup>
$l_e$	effective length	78.6	mm
$A_e$	effective area	97.1	mm <sup>2</sup>
$A_{min}$	minimum area	91.6	mm <sup>2</sup>
m	mass of core half	≈ 20	g



**Core halves**

Clamping force for  $A_L$  measurements, 40 ±20 N. Gapped cores are available on request.

GRADE	$A_L$ (nH)	$\mu_e$	AIR GAP ( $\mu$ m)	TYPE NUMBER
3C90	2700 ±25%	≈ 1740	≈ 0	ETD34/17/11-3C90
3C94	2700 ±25%	≈ 1740	≈ 0	ETD34/17/11-3C94
3C95 <span style="background-color: black; color: white; padding: 0 2px;">des</span>	3270 ±25%	≈ 2110	≈ 0	ETD34/17/11-3C95
3C96 <span style="background-color: black; color: white; padding: 0 2px;">des</span>	2500 ±25%	≈ 1610	≈ 0	ETD34/17/11-3C96
3F3	2500 ±25%	≈ 1610	≈ 0	ETD34/17/11-3F3
3F35 <span style="background-color: black; color: white; padding: 0 2px;">des</span>	1850 ±25%	≈ 1190	≈ 0	ETD34/17/11-3F35

## ETD cores and accessories

ETD34/17/11

## Properties of core sets under power conditions

GRADE	B (mT) at	CORE LOSS (W) at				
	H = 250 A/m; f = 25 kHz; T = 100 °C	f = 25 kHz; $\hat{B}$ = 200 mT; T = 100 °C	f = 100 kHz; $\hat{B}$ = 100 mT; T = 100 °C	f = 100 kHz; $\hat{B}$ = 200 mT; T = 25 °C	f = 100 kHz; $\hat{B}$ = 200 mT; T = 100 °C	f = 400 kHz; $\hat{B}$ = 50 mT; T = 100 °C
3C90	≥330	≤ 0.92	≤ 0.97	–	–	–
3C94	≥330	–	≤ 0.73	–	≤ 4.2	–
3C95	≥330	–	–	≤ 4.51	≤ 4.28	–
3C96	≥340	–	≤ 0.55	–	≤ 3.4	–
3F3	≥320	–	≤ 0.9	–	–	≤ 1.6
3F35	≥300	–	–	–	–	–

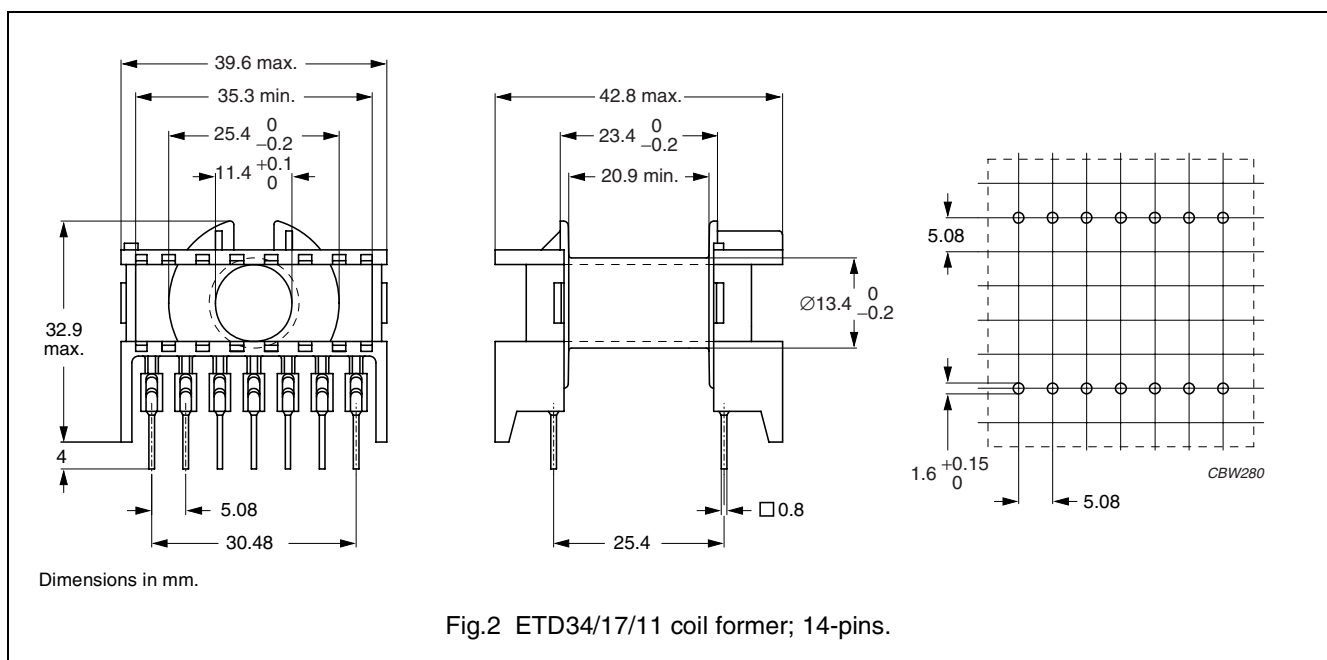
## Properties of core sets under power conditions (continued)

GRADE	B (mT) at	CORE LOSS (W) at			
	H = 250 A/m; f = 25 kHz; T = 100 °C	f = 500 kHz; $\hat{B}$ = 50 mT; T = 100 °C	f = 500 kHz; $\hat{B}$ = 100 mT; T = 100 °C	f = 1 MHz; $\hat{B}$ = 30 mT; T = 100 °C	f = 3 MHz; $\hat{B}$ = 10 mT; T = 100 °C
3C90	≥330	–	–	–	–
3C94	≥330	–	–	–	–
3C95	≥330	–	–	–	–
3C96	≥340	≤ 2.8	–	–	–
3F3	≥320	–	–	–	–
3F35	≥300	≤ 1.0	≤ 8.0	–	–

**COIL FORMERS**

**General data 14-pins ETD34/17/11 coil former**

PARAMETER	SPECIFICATION
Coil former material	polybutyleneterephthalate (PBT), glass-reinforced, flame retardant in accordance with "UL 94V-0"; UL file number E45329(R)
Pin material	copper-tin alloy (CuSn), tin (Sn) plated
Maximum operating temperature	155 °C, "IEC 60085", class F
Resistance to soldering heat	"IEC 60068-2-20", Part 2, Test Tb, method 1B, 350 °C, 3.5 s
Solderability	"IEC 60068-2-20", Part 2, Test Ta, method 1



**Winding data and area product for 14-pins ETD34/17/11 coil former**

NUMBER OF SECTIONS	WINDING AREA (mm <sup>2</sup> )	MINIMUM WINDING WIDTH (mm)	AVERAGE LENGTH OF TURN (mm)	AREA PRODUCT Ae x Aw (mm <sup>4</sup> )	TYPE NUMBER
1	123	20.9	60	11900	CPH-ETD34-1S-14P <sup>(1)</sup>

**Note**

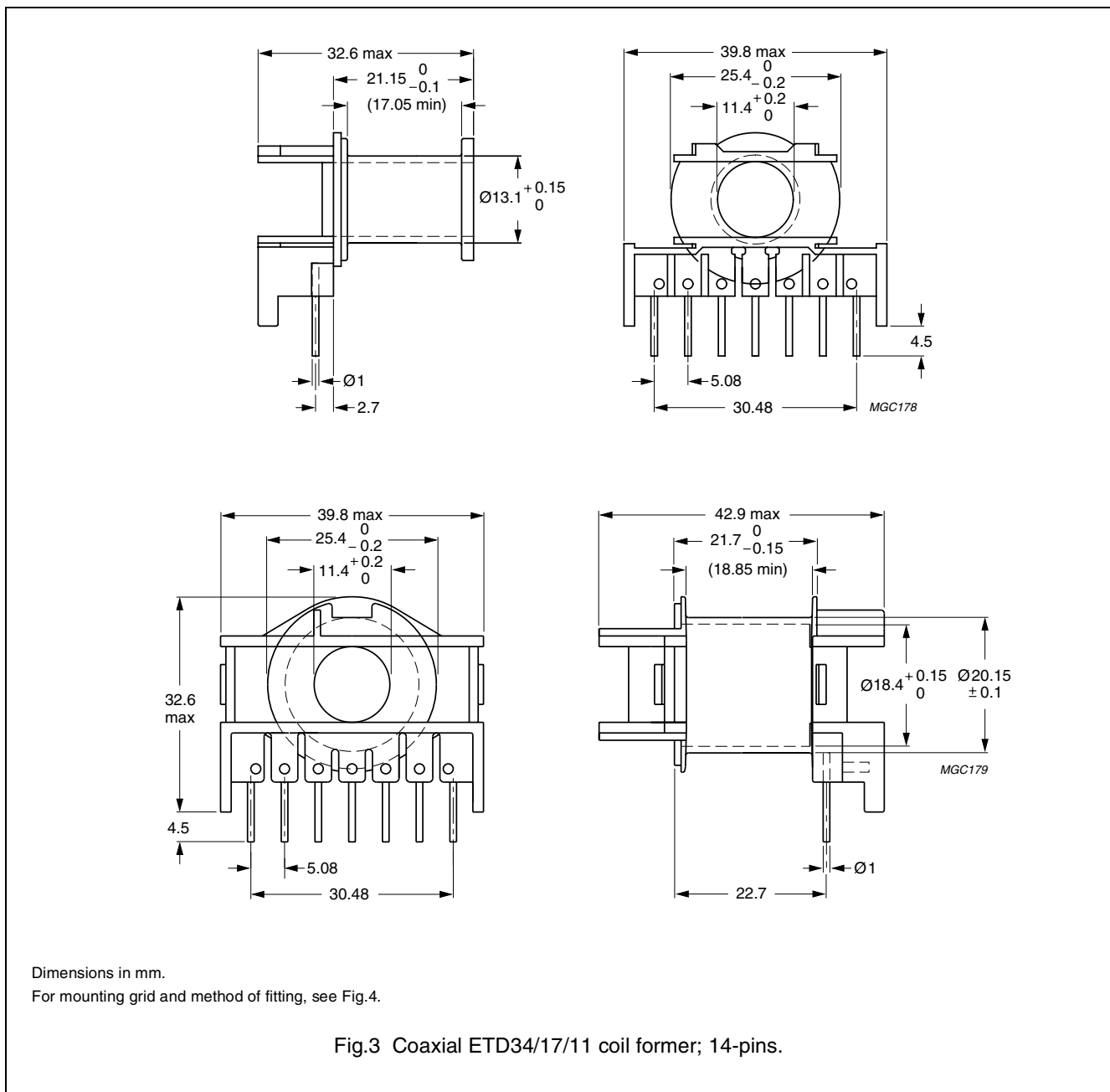
- 1. Also available with Ø1.0 mm pins.

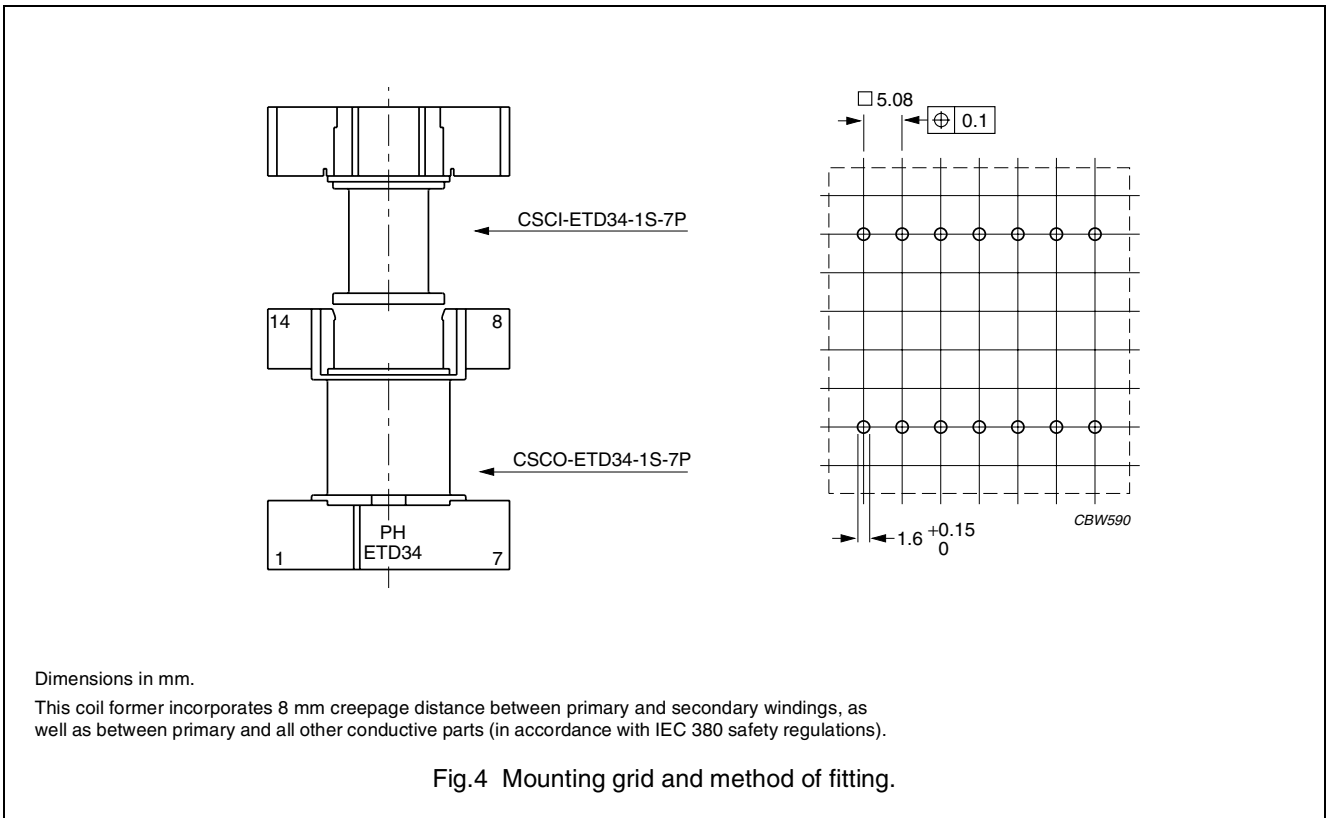
ETD cores and accessories

ETD34/17/11

General data 14-pins coaxial ETD34/17/11 coil former

PARAMETER	SPECIFICATION
Coil former material	phenolformaldehyde (PF), glass-reinforced, flame retardant in accordance with "UL 94V-0"; UL file number E167521(M)
Pin material	copper-tin alloy (CuSn), tin (Sn) plated
Maximum operating temperature	180 °C, "IEC 60085", class H
Resistance to soldering heat	"IEC 60068-2-20", Part 2, Test Tb, method 1B, 350 °C, 3.5 s
Solderability	"IEC 60068-2-20", Part 2, Test Ta, method 1





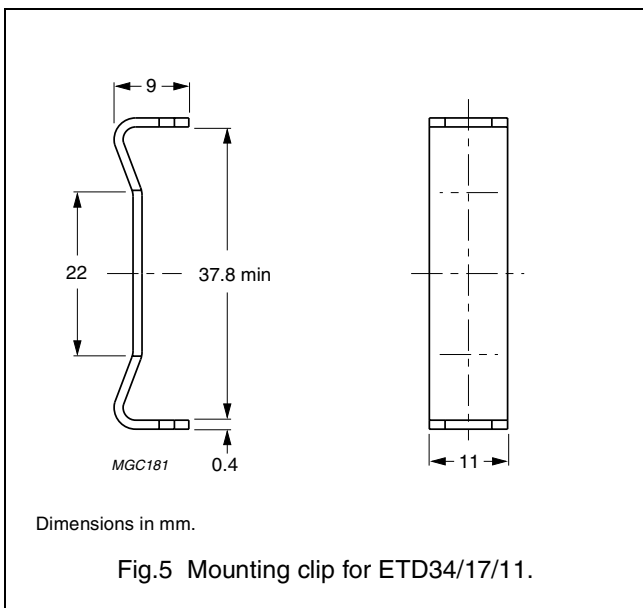
Winding data and area product for coaxial ETD34/17/11 coil former

NUMBER OF SECTIONS	WINDING AREA (mm <sup>2</sup> )	MINIMUM WINDING WIDTH (mm)	AVERAGE LENGTH OF TURN (mm)	AREA PRODUCT Ae x Aw (mm <sup>4</sup> )	TYPE NUMBER
1	42.6	17.05	49.4	4140	CSCI-ETD34-1S-7P
1	46.6	18.85	71.4	4520	CSCO-ETD34-1S-7P

**MOUNTING PARTS**

**General data**

ITEM	REMARKS	FIGURE	TYPE NUMBER
Mounting clip	material: stainless steel	5	CLI-ETD34






**DATA SHEET STATUS DEFINITIONS**

DATA SHEET STATUS	PRODUCT STATUS	DEFINITIONS
Preliminary specification	Development	This data sheet contains preliminary data. Ferroxcube reserves the right to make changes at any time without notice in order to improve design and supply the best possible product.
Product specification	Production	This data sheet contains final specifications. Ferroxcube reserves the right to make changes at any time without notice in order to improve design and supply the best possible product.

**DISCLAIMER**

**Life support applications** — These products are not designed for use in life support appliances, devices, or systems where malfunction of these products can reasonably be expected to result in personal injury. Ferroxcube customers using or selling these products for use in such applications do so at their own risk and agree to fully indemnify Ferroxcube for any damages resulting from such application.

**PRODUCT STATUS DEFINITIONS**

STATUS	INDICATION	DEFINITION
<b>Prototype</b>		These are products that have been made as development samples for the purposes of technical evaluation only. The data for these types is provisional and is subject to change.
<b>Design-in</b>		These products are recommended for new designs.
<b>Preferred</b>		These products are recommended for use in current designs and are available via our sales channels.
<b>Support</b>		These products are <b>not</b> recommended for new designs and may not be available through all of our sales channels. Customers are advised to check for availability.



## X-ON Electronics

Largest Supplier of Electrical and Electronic Components

*Click to view similar products for [ferroxcube](#) manufacturer:*

Other Similar products are found below :

[014660H](#) [P66/56-3F3](#) [EFD30/15/9-3C94](#) [CPV-RM12/I-1S-12PD-TZ](#) [RM10/I-3C90](#) [TX102/66/25-3C11](#) [CPHS-EFD20/7-1S-10P](#)  
[EFD30/15/9-3C90](#) [TX63/38/25-3E25](#) [EFD15/8/5-3F3-A63-S](#) [T102/66/25-3C90](#) [CPH-ETD59-1S-24P](#) [ETD49-3C94](#) [ETD59/31/22-3C90](#)  
[ER11-3F3-S](#) [4312-020-37500](#) [RM10/I-3C90-A250](#) [E25/13/7-3F3](#) [CPH-U15/11/6-1S-4P](#) [4322-021-35150](#) [RM6S-3H3](#) [E55/28/21-3F3](#)  
[EFD10-3F3-S](#) [CON-P30/19](#) [U15/11/6-3C94](#) [CLI-EFD15](#) [U93/76/30-3C94](#) [EFD30/15/9-3F3](#) [058374D](#) [EFD15/8/5-3F3-S](#) [058351G](#)  
[TN32/19/13-3F3](#) [U93/76/16-3C90](#) [RM10/I3C90-A400](#) [CSHS-EFD15-1S-8P-Z](#) [RM14/I-3F3](#) [EFD20/10/7-3F3](#) [CSH-EFDD20-1S-8P](#)  
[E42/21/15-3C94](#) [E65/32/27-3F3](#) [TX10/6/4-3E5](#) [EFD20-3C90/K](#) [ETD54-3C94](#) [CLI-EFD30](#) [TX102/66/15-3C11](#) [TX58/41/18-3C11](#) [CLI-EP13](#)  
[009968H](#) [4322-020-97010](#) [TX58/41/18-3E25](#)