

**ARCA AR14127CHL**



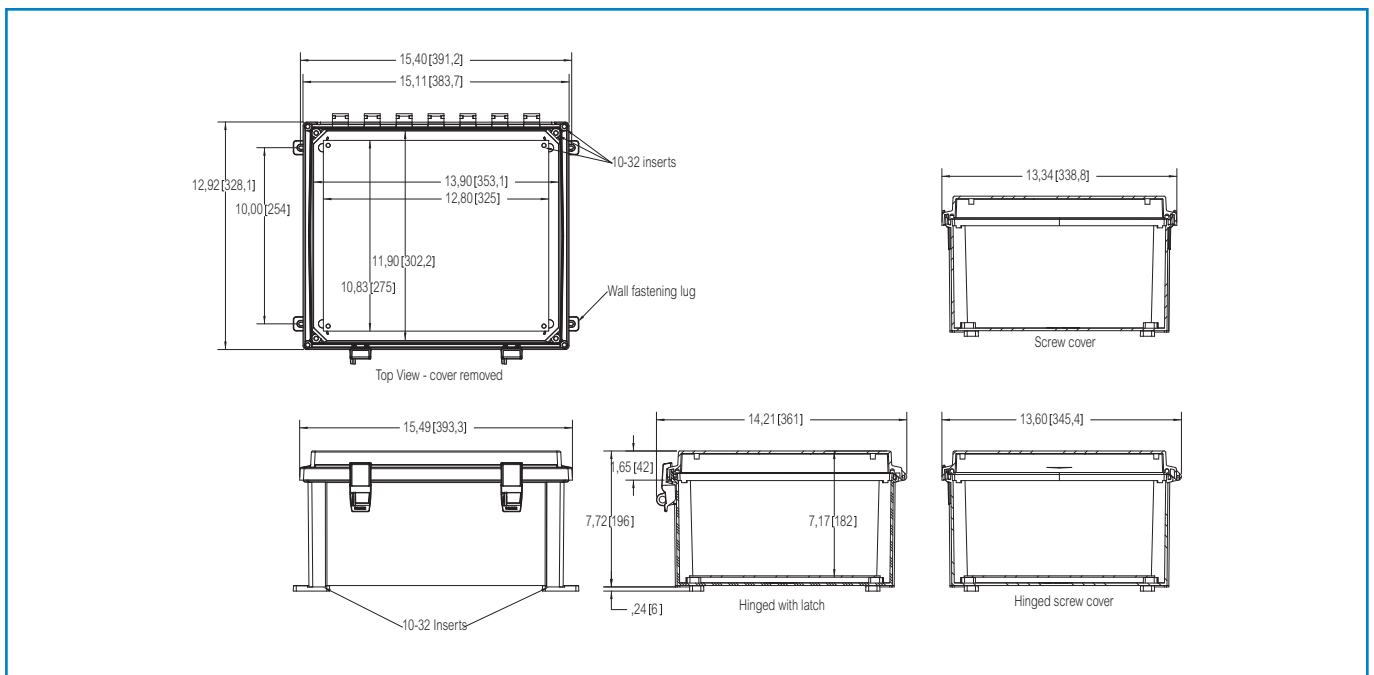
Sample photo

**Order symbol:** AR14127CHL  
**Product nbr:** 8561025  
**Description:** PC Enclosure  
**Remarks:** Hinged opaque cover w/Plastic quick release latch

**EAN:** 6418074066954  
**EI. number:**  
 Finland:  
 Norway:

Including: Hinged cover base with 10-32 brass inserts, latched cover with formed in place PUR gasket, and stainless hinge pin. Quick release latches. (Latch options available.) Enclosure mounting foot kit. Accessory 10-32 screws for panel mounting.

Dimensions:		Length	Width	Height	Rating:
<b>mm:</b>		356	305	178	Ingress Protection (EN 60529): IP 66/67
<b>inch:</b>		14.0	12.0	7.0	Impact Resistance (EN 62262): IK 08/07
<b>Materials:</b>					Electrical insulation: Totally insulated
<b>Material:</b>		Polycarbonate			Halogen free (DIN/VDE 0472, Part 815): Yes
<b>Base colour:</b>		RAL 7035			UV resistance: UL 508
<b>Cover colour:</b>		RAL 7035			Flammability Rating (UL 746 C 5): complies with UL 508
<b>Cover screws material:</b>		Stainless steel			Glow Wire Test (IEC 695-2-1) °C: 960
<b>Gasket material:</b>		Polyurethane			NEMA Class: NEMA 4, 4X, 6, 6P, 12, 13
<b>Temperatures:</b>					<b>Certificates:</b>
<b>Short term:</b>		-40 ... 140 °C			Underwriters Laboratories
<b>Continuous:</b>		-40 ... 80 °C			
<b>Short term:</b>		-40 ... 284 °F			
<b>Continuous:</b>		-40 ... 175 °F			
<b>Accessories:</b>					
ABP1412		Painted Steel Back Panel			
ALBP1412		Aluminum Back Panel			
ADFP1412		Dead Front Panel w/ screws			
ASP1412		Aluminum Swing Panel			
ASPK1412		Swing Panel Kit incl. Panel			
ASPHK14		Swing Panel Kit w/o Panel			
AMFL12		12" Mounting Flange Set			



## X-ON Electronics

Largest Supplier of Electrical and Electronic Components

*Click to view similar products for [fibox manufacturer](#):*

Other Similar products are found below :

[PCM 175/75 T](#) [ABQ3 364015](#) [ABS 150/60 HG](#) [ABS 175/60 HG](#) [ABS 175/75 HG](#) [ABS F 65 G](#) [ARCA 403015](#) [EKMVT](#) [CAB P 302017](#)  
[CAB PC 303018 G3B](#) [CAB PCQ 302017 T](#) [9822003](#) [ABS 150/125 HG](#) [ABS 150/75 HG](#) [ABS 175/100HG](#) [ABS 95/75 HG](#) [ABS F 85 G](#) [PCT](#)  
[081206](#) [ARCA 302015](#) [PC 5628 13 T](#) [TAM 090706 MC](#) [ARCA 406021](#) [MP 6040](#) [ARCA 604021](#) [ARCA 806030](#) [5330360](#) [EKOE 130 G](#)  
[2539543](#) [PC 100/125 HG](#) [PC 100/75 HT](#) [PC 300/150 ZG](#) [PCM 175/150 G](#) [PCM 125/100 G](#) [PC 125/125 HG](#) [ABS D 65 G](#) [7811060](#) [7811130](#)  
[ALN 121208](#) [ARCA 403021N](#) [7094220](#) [7094450](#) [PC 1919 13 T-2FSH](#) [PC 200/150 HT](#) [PCM 175/100 T](#) [PCT 121210](#) [9821007](#) [EKPE 130 G](#)  
[ENCLOSURE](#) [ABS 175/125 HG](#) [ABS 175/150 HG](#) [ABS 1919 13 G](#)