

## Real-time Visual LED Display Board

### VE Series

The VE Series visual LED display is an "Andon" system which is an ideal production management tool on the plant floor. The VE Series provides real-time visual feedback from the plant floor to achieve "Kaizen" for a "Visual Factory". The VE Series comes in two sizes, Model VE25-304S in a 25mm digit size and Model VE100-304S in a 100mm digit size.

**Simple**

**Economical**

## Lean Manufacturing System

**Improve Manufacturing Productivity**  
**Reduce Down Time**  
**Eliminate Waste**

**Easy Set-up**

Plan

Pre Scale

Takt Time

**VE100-304S**  
3 Row, 4 Digit Type  
Digit Size : 100mm

**Three Terminal Output**

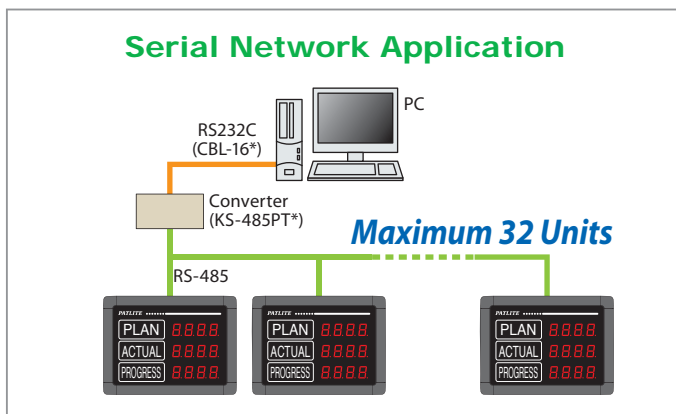
- Progress Loss  
Red Light
- Progress Gain  
Yellow Light Flash
- Goal  
Green Light Flash

**Wide Range AC Adaptor (AC100 to 240V)**

**VE-IR Infrared Remote Control Unit (Sold Separately)**

**VE25-304S**  
3 Row, 4 Digit Type  
Digit Size : 25mm

### System Configurations



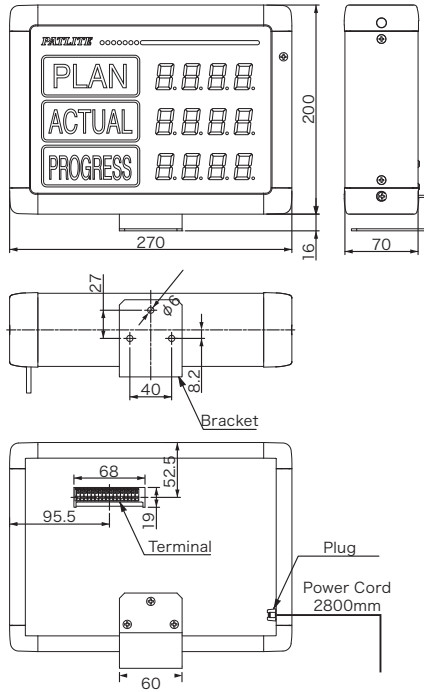
\* Refer to the options available



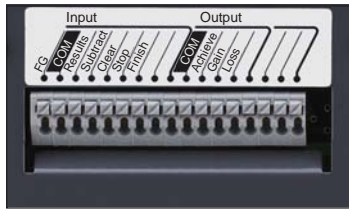
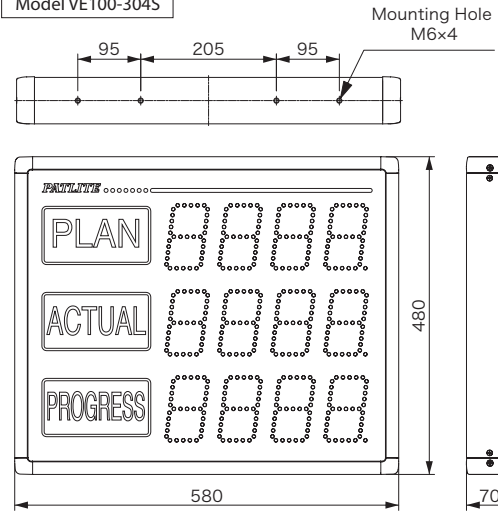
\* Refer to the options available (Recommended RS232C (CBL-16) for (KS-485PT))

## Dimensions

Model VE25-304S



Model VE100-304S



### Screwless Terminal - No Tools Required

Cage clamp terminals, just push and release for secure contact. No tools are required.

Unit:mm

## Options



Remote Control  
Model: VE-IR

For  
VE25-304S  
VE100-304S



Display Board Label  
[Made to Order]

For  
VE25-304S  
VE100-304S



Brackets (Set of 2)  
Model: VE-01

For  
VE100



AC Adaptor  
Model: VE-AD01

For  
VE25  
VE100



RS232C/RS485 Converter  
Model: KS-485PT

For  
VE25-304S  
VE100-304S



Connector Cable (1m)  
Model: CBL-16

For  
VE25-304S  
VE100-304S

## PATLITE (U.S.A.) Corporation

20130 S. Western Ave., Torrance, CA 90501, U.S.A. TEL.+1-310-328-3222 FAX.+1-310-328-2676

<http://www.patlite.com/us>

E-mail: [sales@patlite.com](mailto:sales@patlite.com)

## PATLITE Europe GmbH

E-mail: [info@patlite.eu](mailto:info@patlite.eu)

Am Soeldnermoos 8, D-85399 Hallbergmoos, Germany  
TEL.+49-0-811 9981 9770-0 FAX.+49-0-811 9981 9770-9

## PATLITE (SINGAPORE) PTE LTD

## PATLITE (CHINA) Corporation

## P.T. PATLITE INDONESIA (FACTORY)

## PATLITE Corporation

### CAUTION

To ensure correct use of these products, read the "Instruction Manual" prior to use. Failure to follow all safeguards can result in fire, electric shock, or other accidents. Specifications are subject to change without notice.



PATLITE Corporation reserves the right to modify product specifications without prior notice within our policy of continual product development.

## **X-ON Electronics**

Largest Supplier of Electrical and Electronic Components

*Click to view similar products for [patlite](#) manufacturer:*

Other Similar products are found below :

[LR4-BU](#) [LR5-02PJNW](#) [LR5-102WJBW-Y](#) [LR5-102WJNW-R](#) [LR6-E-B](#) [LR6-302PJNW-RYG](#) [NH-WST](#) [VSST-LR6-502LJBW-RYGBC](#)  
[LR5-02WTNU](#) [VSST-LR6-302LJBW-RYG](#) [VSST-LR6-302LJNW-RYG](#) [MPS-302-RYG](#) [LR5-102WJNW-G](#) [LR6-02LJNW](#) [LR6-302LJNW-](#)  
[RYG](#) [VSST-LR6-502LJNW-RYGBC](#) [LR4-302LJBW-RYG](#) [LR6-02PJNW](#) [LR7-02WTNU](#) [BDV-15JF-K](#) [BSV-24P-W](#) [SZK-001U](#) [SZ-50L](#)  
[LR4-02QJNW](#) [LR4-02WJNW](#) [LR5-E-R](#) [CLA3S-24-CD](#) [LU7-E-B](#)