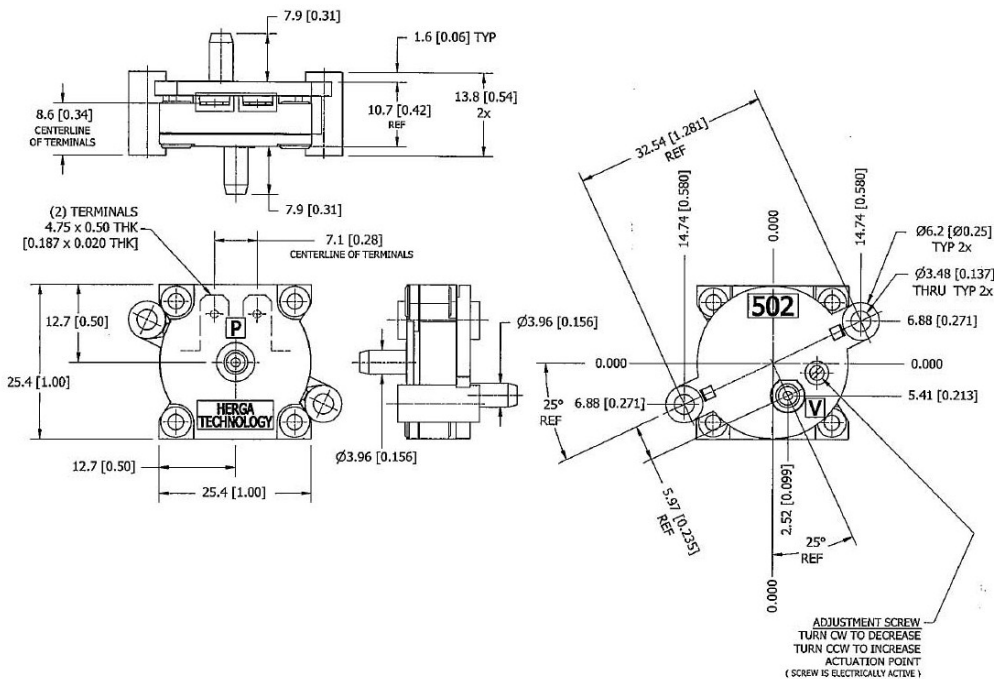


- 6101-0042 - HPS-502-G-Range D
- Pressure range - 25 to 75 mBar (10" to 30" H₂O)
- Proof Pressure - 623 mBar (250" H₂O)
- Pressure connection - Perpendicular ports
- Single pole normally open
- Diaphragm material - Urethane
- Operating Temperature +4°C to +65°C
- Electrical rating - 10/20mA 24V
- Mechanical life - 20,000,000 cycles



Outline Dimensions



X-ON Electronics

Largest Supplier of Electrical and Electronic Components

Click to view similar products for [herga manufacturer](#):

Other Similar products are found below :

[6433-0019](#) [6289-PP](#) [6254-OB](#) [6442-OW](#) [6438-ACAC-AB00](#) [6227-0004](#) [6289-01](#) [6251-BAAA-CBZ0](#) [6226-0003](#) [6438-ABAB-AB00](#) [6289-CC](#) [6753-AEJA-A000](#) [6448-AAAB-0000](#) [6871-0C](#)