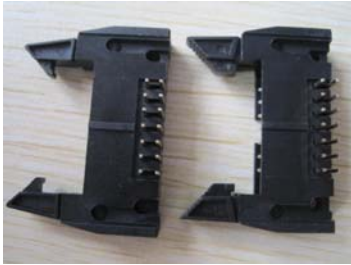


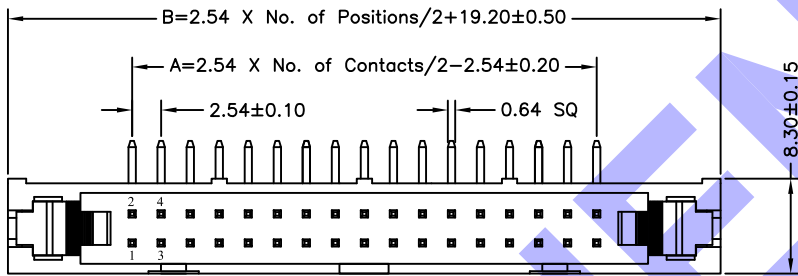
T816 - X XX XX XX XX C EU

T816 Series
2.54mm pitch

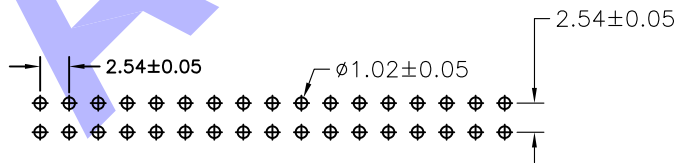
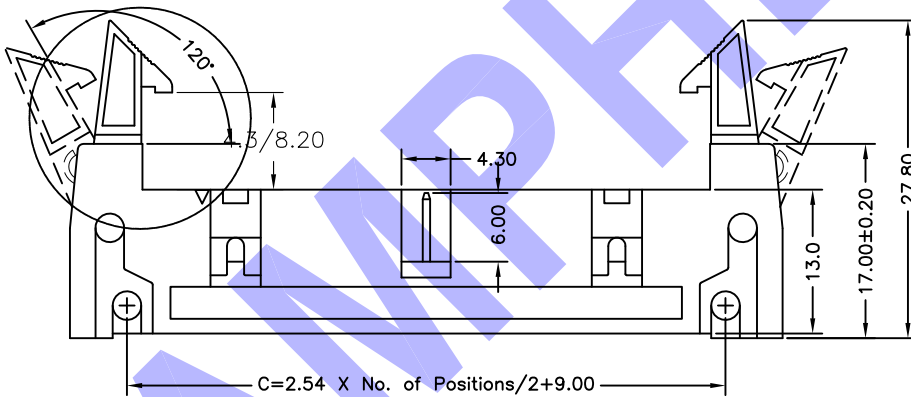


Housing Color	No of Positions	Plating Options	Termination	Variation Code	C	EU:
0: Grey 1: Black	06: 6 positions : : 64: 64 positions	A1: Gold flash over 50u" Ni A2: 15u" gold over 50u" Ni A3: 30u" gold over 50u" Ni SN: Full Tin over 50u" Ni	S1: Straight THT R1: Right Angled THT	00: w/o Latch 01: Short Latch 02: Long Latch	: Fixed index	ROHS Compliant

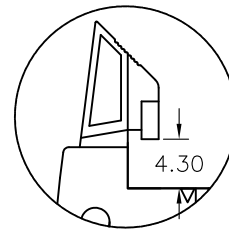
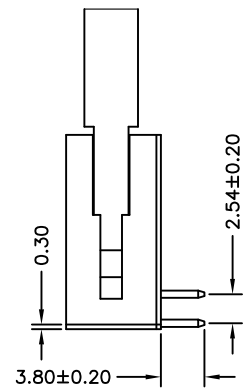
T816-XXXXXR1XXCEU
(R/A DIP)



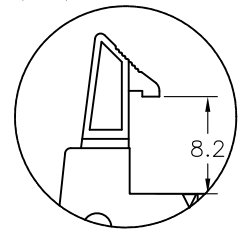
No. of PINS	Dimension Information		
	A	B	C
06	5.08	26.82	16.62
08	7.62	29.36	19.16
10	10.16	31.90	21.70
14	15.24	36.98	26.78
16	17.78	39.52	29.32
18	20.32	42.06	31.86
20	22.86	44.60	34.40
24	27.94	49.68	39.48
26	30.48	52.22	42.02
30	35.56	57.30	47.10
34	40.64	62.38	52.18
40	48.26	70.00	59.80
50	60.96	82.70	72.50
60	73.66	95.40	85.20
64	78.74	100.48	90.28



Recommended PCB Layout



Short Latch



Long Latch

General Specification

Materials and Finish:
Insulator: PBT+25%G.F, UL 94V-0,
Contact: Brass, Gold or Tin Plated
 Over 50u" Ni

Electrical:
Contact Resistance: 20 mΩ max. at 1A DC
Insulation Resistance: 1000 MΩ min, at 500V/DC
Dielectric Withstanding Voltage: 500 V/AC RMS 60Hz for one minute.
Current Rating: 3.0A max.
Voltage Rating: 250V AC/RMS 60Hz, DC

Environment:
Operating Temperature:
 -40 °C to +105 °C

T816

- **X** **XX** **XX** **XX** **XX** **C** **EU**

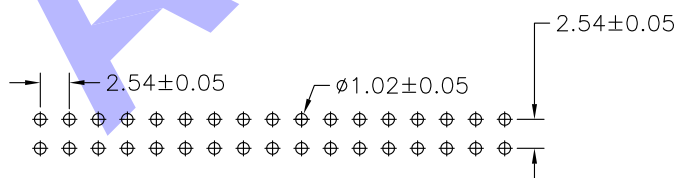
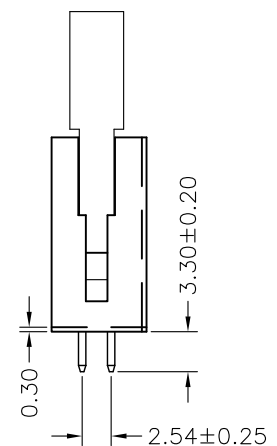
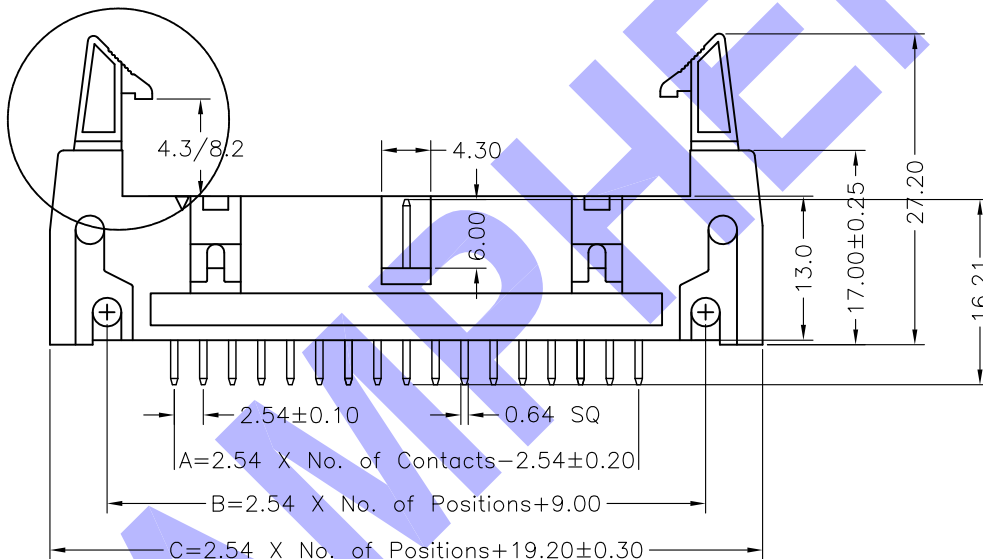
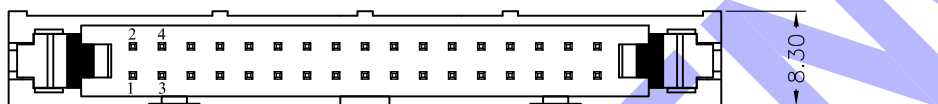
T816 Series
2.54mm pitch



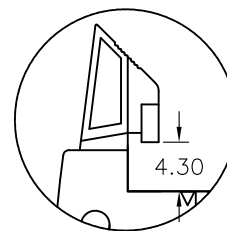
T816-XXXXXS1XXCEU
(ST DIP)

Housing Color	No of Positions	Plating Options	Termination	Variation Code	C	EU:
0: Grey 1: Black	06: 6 positions : : 64: 64 positions	A1: Gold flash over 50u" Ni A2: 15u" gold over 50u" Ni A3: 30u" gold over 50u" Ni SN: Full Tin over 50u" Ni	S1: Straight THT R1: Right Angled THT	00: w/o Latch 01: Short Latch 02: Long Latch	: Fixed index	ROHS Compliant

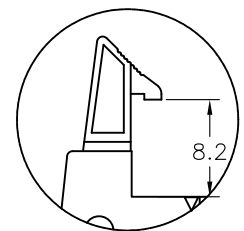
No. of PINS	Dimension Information		
	A	B	C
06	5.08	26.82	16.62
08	7.62	29.36	19.16
10	10.16	31.90	21.70
14	15.24	36.98	26.78
16	17.78	39.52	29.32
18	20.32	42.06	31.86
20	22.86	44.60	34.40
24	27.94	49.68	39.48
26	30.48	52.22	42.02
30	35.56	57.30	47.10
34	40.64	62.38	52.18
40	48.26	70.00	59.80
50	60.96	82.70	72.50
60	73.66	95.40	85.20
64	78.74	100.48	90.28



Recommended PCB Layout



Short Latch



Long Latch

General Specification

Materials and Finish:
Insulator: PBT+25%G.F, UL 94V-0,
Contact: Brass, Gold or Tin Plated
 Over 50u" Ni

Electrical:
Contact Resistance: 20 mΩ max. at 1A DC
Insulation Resistance: 1000 MΩ min, at 500V/DC
Dielectric Withstanding Voltage: 500 V/AC RMS 60Hz for one minute.
Current Rating: 3.0A max.
Voltage Rating: 250V AC/RMS 60Hz, DC

Environment:
Operating Temperature:
 -40 °C to +105 °C

X-ON Electronics

Largest Supplier of Electrical and Electronic Components

Click to view similar products for [I/O Connectors](#) category:

Click to view products by [Amphenol](#) manufacturer:

Other Similar products are found below :

[571763P](#) [58098-0628](#) [61-168618-12P](#) [D38999/20FJ24PA L/C](#) [D38999/20FJ29SB L/C](#) [D38999/24FG11SN L/C](#) [72.250.1628.2](#) [72.250.2428.2](#)
[74720-0505](#) [76.350.0729.0](#) [76871-1403](#) [FCN-244F080-G/1](#) [FCN-260A9920](#) [FCN-268D024-G/2F#10X-R10](#) [MP-5T180MUNNA-005](#) [MP-5XRJ45UNNB-003](#) [PCS-E50FA](#) [PCS-XE26LKA](#) [PCS-XE26MA+](#) [PCS-XES68MS+](#) [G38A71314B](#) [91-569719-35R](#) [9776-18-6](#) [DX40-50P\(55\)](#) [1571250010](#) [157-22500-3](#) [MS3476W12-10S L/C](#) [1888020-8](#) [91-569786-35H](#) [91-569786-35M](#) [91-644626-35P](#) [172501-4002](#)
[172501-6002](#) [FCN-260C008-A/L0](#) [FCN-260C024-AL0](#) [FCN-261Z008](#) [FCN-268D008-G/1K](#) [2000314-1](#) [200331-1](#) [2007498-2](#) [PCR-E28LMDAG1+](#) [PCR-E36FC+](#) [PCS-E28FS+](#) [PCS-XE26SLFD+](#) [PCS-XE26SLFDT+](#) [G38A71214B](#) [HDRA-E68W1LFDTC-SL+](#) [HDR-E14MSG1+](#) [R88A-CNK81S](#) [CRT1-ATT02](#)