

TOLERANCES:  
 .XXX = ±.005  
 .XX = ±.01

SH	1	OF	2
NO.	REVISION		
0	FIRST RELEASE DCO 150662		

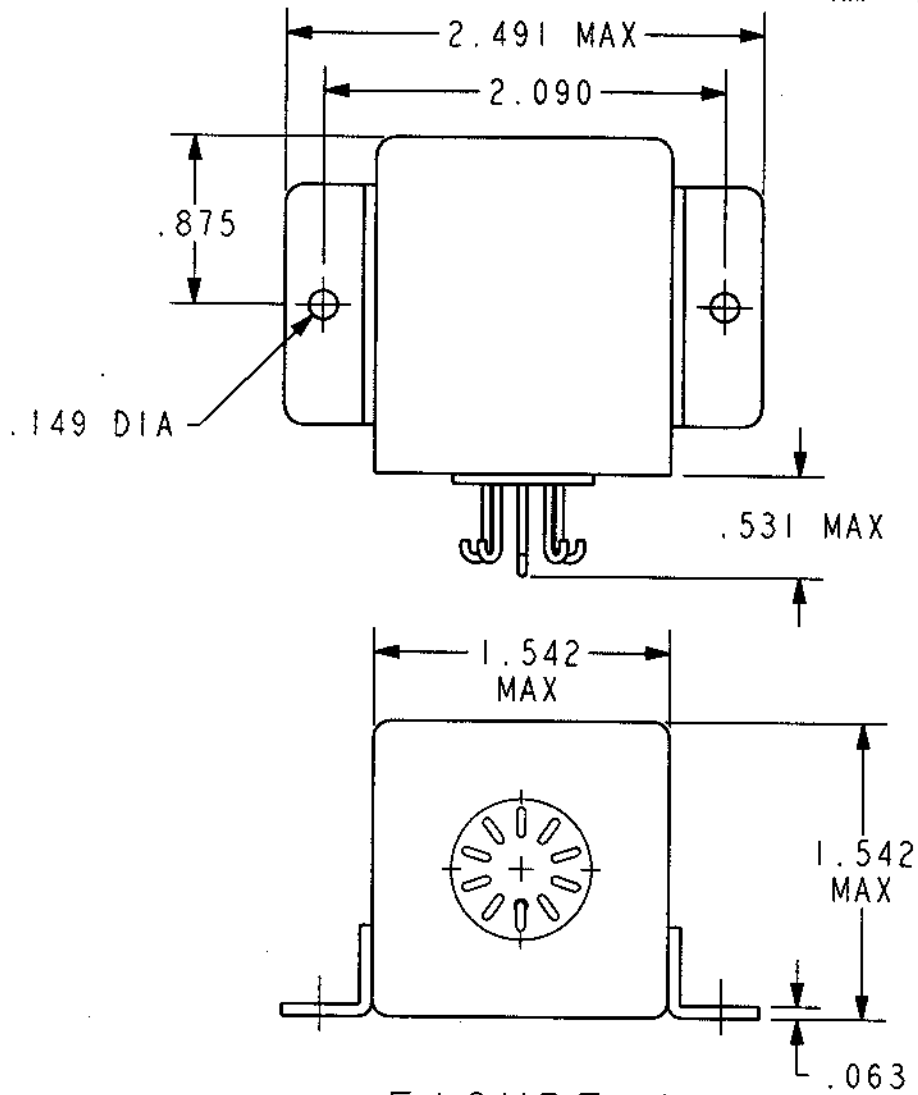


FIGURE 1

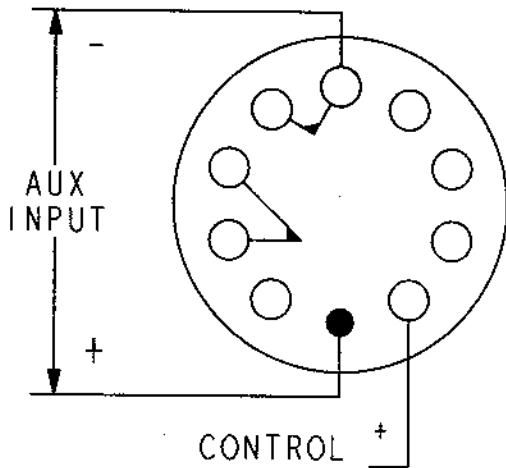



FIGURE 2  
 CIRCUIT DIAGRAM

TIME DELAY RELAYS

CUSTOMER DATA SHEET	
DRWN. ASB 16 MAY 02	APPL. ENG. <i>ASB</i> 5/10/02
 advanced control electronic solutions	
5605-E-1002	

NOT the LATEST  
 REVISION

1.0 DESCRIPTION: THIS DATA SHEET ESTABLISHES THE REQUIREMENTS FOR A TIME DELAY RELAY, DELAY ON RELEASE, FIXED TIMING, RELAY OUTPUT.

2.0 APPLICABLE DOCUMENTS

- 2.1 MIL-R-5757, SPECIFICATIONS FOR ELECTRO-MECHANICAL RELAYS.
- 2.2 MIL-STD-202, TEST METHODS FOR ELECTRICAL AND ELECTRONIC COMPONENTS.

3.0 ELECTRICAL SPECIFICATIONS:

- 3.1 TIMING: 10.0 ±10% SECOND DELAY "ON" RELEASE AFTER THE REMOVAL OF CONTROL POWER
- 3.2 RESET TIME: 20 MSEC MAX
- 3.3 INPUT VOLTAGE: 18 VDC - 31 VDC
- 3.4 CONTACT CONFIGURATION: SINGLE-POLE, DOUBLE THROW (1PDT)
- 3.5 CONTACT LOAD RATING: 5 A @ 30 VDC RESISTIVE
- 3.6 CONTACT LIFE: 100,000 OPERATIONS

4.0 ENVIRONMENTAL SPECIFICATIONS

- 4.1 INSULATION RESISTANCE: 1000 MEGOHM AT 500 VDC
- 4.2 DIELECTRIC STRENGTH: 1000 VRMS BETWEEN TERMINALS AND CASE
- 4.3 TEMPERATURE: OPERATING -55°C TO +85°C
- 4.4 VIBRATION: 20G PER MIL-STD-202 METHOD 204, COND. A, 10 HZ TO 2000 HZ
- 4.5 SHOCK: 50G HALF SINE, 11 MSEC PER MIL-STD METHOD 213 COND. C
- 4.6 SEALING: INTERNAL RELAY SHALL BE HERMETICALLY SEALED (AW MIL-R-5757). THE HYBRID ASSEMBLY SHALL BE ENCAPSULATED IN HEAT CONDUCTIVE EPOXY AND THE EXTERNAL PACKAGE SHALL ALSO BE HERMETICALLY SEALED.

5.0 PHYSICAL CHARACTERISTICS

- 5.1 CASE FINISH: BLACK, EPOXY POLYAMID, SEMI-GLOSS
- 5.2 TERMINAL FINISH: HOT SOLDER DIP, 60/40
- 5.3 WEIGHT: 240 GRAMS (8.5 OZ) MAX.
- 5.4 OUTLINE AND MOUNTING DIMENSIONS: SEE FIGURE 1

6.0 MARKING: MARKING SHALL INCLUDE THE FOLLOWING INFORMATION

- DEVICE NOMENCLATURE: TIME DELAY RELAY
- OPERATING VOLTAGE RANGE
- CII PART NUMBER
- CII CAGE CODE
- CIRCUIT DIAGRAM
- DATE CODE
- MAX AC LOAD CONTACT RATING

CUSTOMER DATA SHEET

DRWN. ASB 16 MAY 02      APPL. *ASB* 5/16/02  
 ENG. *ASB*



5605-E-1002

## X-ON Electronics

Largest Supplier of Electrical and Electronic Components

*Click to view similar products for [General Purpose Relays](#) category:*

*Click to view products by [TE Connectivity](#) manufacturer:*

Other Similar products are found below :

[APF30318](#) [JVN1AF-4.5V-F](#) [PCN-105D3MHZ](#) [5JO-10000S-SIL](#) [5JO-1000CD-SIL](#) [5JO-400CD-SIL](#) [LY2S-AC220/240](#) [LYQ20DC12](#)  
[6031007G](#) [6131406HQ](#) [6-1393099-3](#) [6-1393099-8](#) [6-1393122-4](#) [6-1393123-2](#) [6-1393767-1](#) [6-1393843-7](#) [6-1415012-1](#) [6-1419102-2](#) [6-](#)  
[1423698-4](#) [6-1608051-6](#) [6-1608067-0](#) [6-1616170-6](#) [6-1616248-2](#) [6-1616282-3](#) [6-1616348-2](#) [6-1616350-1](#) [6-1616350-8](#) [6-1616358-7](#) [6-](#)  
[1616359-9](#) [6-1616360-9](#) [6-1616931-6](#) [6-1617039-1](#) [6-1617052-1](#) [6-1617090-2](#) [6-1617090-5](#) [6-1617347-5](#) [6-1617353-3](#) [6-1617801-8](#) [6-](#)  
[1617802-2](#) [6-1618107-9](#) [6-1618248-4](#) [M83536/1-027M](#) [CX-4014](#) [MAHC-5494](#) [MAVCD-5419-6](#) [703XCX-120A](#) [7-1393100-5](#) [7-1393111-7](#)  
[7-1393144-5](#) [7-1393767-8](#)