

T6091DV

Raspberry Pi Power Supply



Features:

- Official Raspberry Pi Power Supply
- 1.5M Micro USB B Lead
- ErP Level 6 Efficiency Rating
- 50,000 Hour MTBF
- 1 Years Warranty



Output

Output Voltage	+5.1Vdc
Minimum Load Current	0A
Nominal Load Current	2.5A
Nominal Output Power	13W
Output Regulation	+/-5%
Line Regulation	+/-2%
Ripple & Noise	120mVp-p Maximum
Rise Time	100mS Maximum at nominal input
Turn-on Delay	3 Seconds Maximum at nominal input
Protection	Short circuit, over current, over voltage
Efficiency	80.86%
Output Cable	1500mm Micro USB B 5 Pin

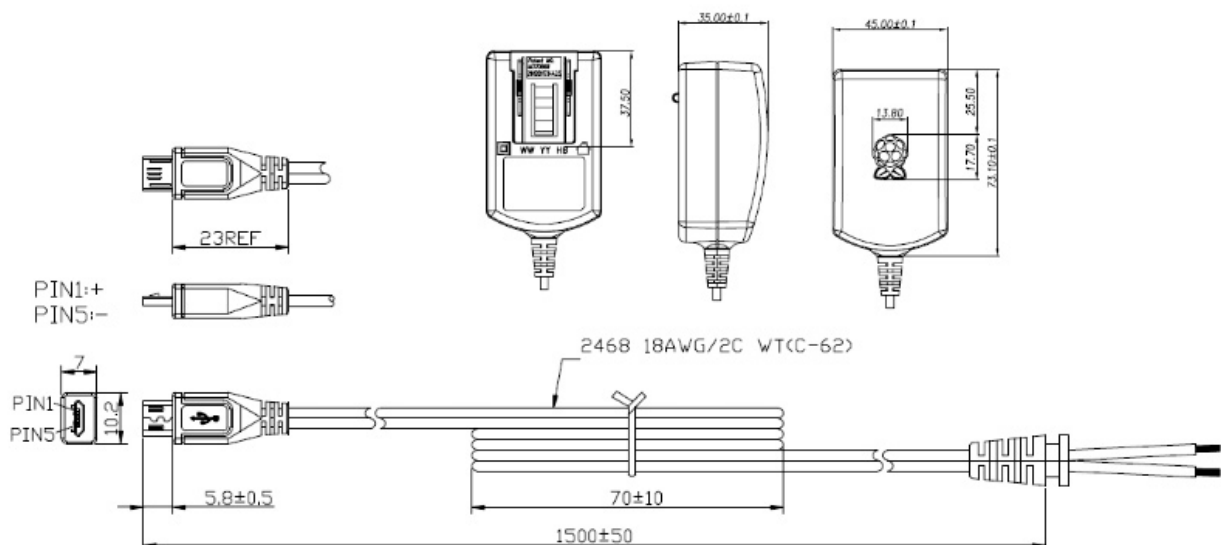
Input

Input Voltage Range	90-264VAC
Input Frequency	47-63Hz
Input Current	0.5A Max
Inrush Current	No damage and IP fuse will not blow
AC Inlet	Aus changeable head

Other

Dimensions	73.2 (L) * 45.1 (W) * 35.1 (H) mm
Weight	Approx 150g
Operating Temp.	0 °C to 40 °C
Storage Temp.	-20 °C to +60 °C
Operating Humidity	20 ~ 85 % RH. Non-Condensing
MTBF	50,000 Hours

Diagrams



X-ON Electronics

Largest Supplier of Electrical and Electronic Components

Click to view similar products for [Raspberry Pi manufacturer](#):

Other Similar products are found below :

[RPI COMPUTE DEV KIT](#) [RPI-MODA+-WIPI](#) [RPI3-8MP-CAMERA-BUNDLE](#) [RASPBERRY PI TOUCHSCREEN CASE - BLACK](#)
[RASPBERRY PI 7 TOUCH SCREEN LCD \(BULK\)](#) [RPI3BP-INABOX-KIT](#) [RPI2-MODB-8GB-NOOBS](#) [RPI-COMPUTE3](#) [CM3+/LITE](#)
[SC0214](#) [RPI3-MODBP](#) [MICROUSBCABLEBK](#) [CM3+/16GB](#) [OKdo Black 3-piece standard Case](#) [RPI uHDMI - std-M Cable, 1m / Black](#)
[RPI COMPUTE MODULE](#) [SD Card preloaded with NOOBS - 16GB](#) [RPI uHDMI - std-M Cable, 1m / White](#) [RASPBERRY PI CAMERA V2](#)
[DAYLIGHT \(BULK\)](#) [RASPBERRY PI2B](#) [T6713DV](#) [RPI NOIR CAMERA BOARD](#) [CAMERA MODULE V2 DAYLIGHT](#) [RASPBERRY](#)
[PI CAMERA V2 PINOIR \(BULK\)](#) [PI 4 USB-MICRO B TO USB-C ADAPTER WHITE](#) [RPI uUSB-B to USB-C adapter, Black](#)
[RASPBERRYPI-SENSEHAT](#) [RPI-COMPUTE3-LT](#) [RASP PI COMP MOD 3](#) [CPRP010-W](#) [T6090DV](#) [RASPBERRYPI3 STARTER KIT](#)
[CPRP010-B](#) [CAMERA LENS ADJUST TOOL FOR RASPBERRY PI](#) [94AC6633](#) [94AC6637](#) [RASPBERRY-MODA+-512M](#) [94AC6635](#)
[RASPBERRYPI-DISPLAY](#) [CPRP020-W](#) [ASM-1900035-01](#) [RPI4-MODBP-4GB-BULK](#) [94AC6636](#) [RASPPIPWRSUPPLY](#)
[CAMERAADAPTER\(150MM\)](#) [RASPBERRY PI3A+ CASE](#) [ASM-1900035-11](#) [RASPBERRY-MODB+-512M](#) [RPI3-MODAP](#) [Raspberry Pi 4](#)
[Model B,8GB](#)