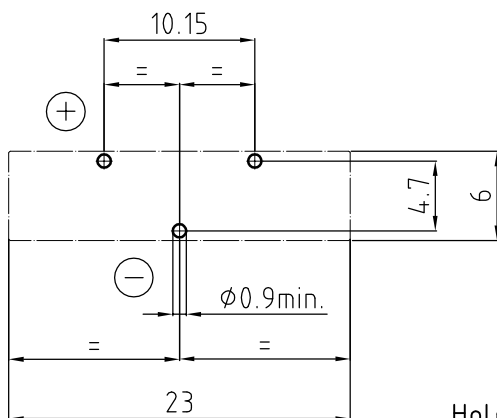


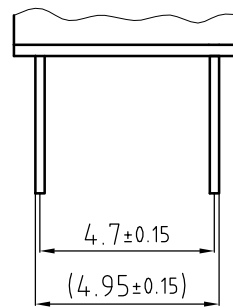
Front view from (-) pole side

Side view

Front view from (+) pole side



Layout top view



Detail M5:1

Holder material :
flame retardant Polyamide, UL flammability class 94V-0

Battery and Solder contacts:
spring stainless steel, throughout nickel plated,
thickness min. 5µm

Specifications are subject to change without notice for further improvement

All framed values will be used for dimension checking !

- Samples can deviate in the execution from the serie.

- Dimensions and tolerances can be specified only after the testing of the devices for the mass production definitely

Rev. ②	28.10.99	SRI	Rev. ⑤	29.06.06	SRI		Customer's Approval			
Rev. ③	22.03.06	SRI	Rev. ⑥	11.06.08	SRI		Date			
Rev. ④	31.05.06	SRI	Rev. ⑦	25.03.11	Wu Ping		Signature			
Titel:						Scale	Drawn	17.08.99	SRI	
VBH2032-1							2:1	Checked	07.04.11	MDi
								Approved	07.04.11	MDi

X-ON Electronics

Largest Supplier of Electrical and Electronic Components

Click to view similar products for [renata](#) manufacturer:

Other Similar products are found below :

[095995R](#) [SMTU 2477N-1-LF](#) [CR1225](#) [SMTU 2430-1-LF](#) [NL5077-LF](#) [SMTU1632-C.TR](#) [SMTU 2450N-1-LF](#) [NH5077-LF](#) [CR2025 MFR.IB](#)
[SMTU1632-LF.TR](#) [HU 2450N-1-LF](#) [HU2430-LF](#) [HU2450N-LF](#) [SMTU2430-LF.TR](#) [SMTU2450N-LF BULK](#) [SMTU2032-LF](#) [HU357-LF](#)
[CR1220 MFR.IB](#) [CR2032 \(R\)](#) [SMTU2450N-LF.TR](#) [SMTU 1225-1-LF](#) [SMTM1632](#) [SMTU357-LF](#)