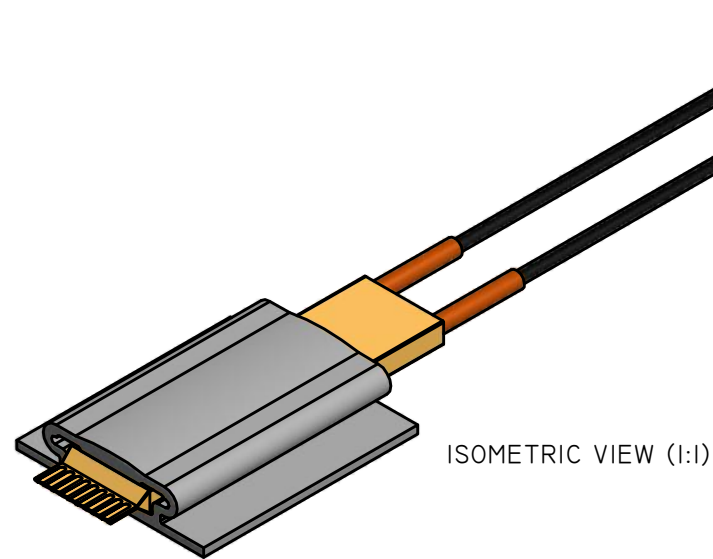
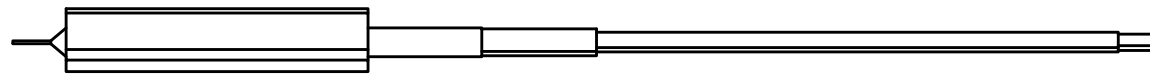
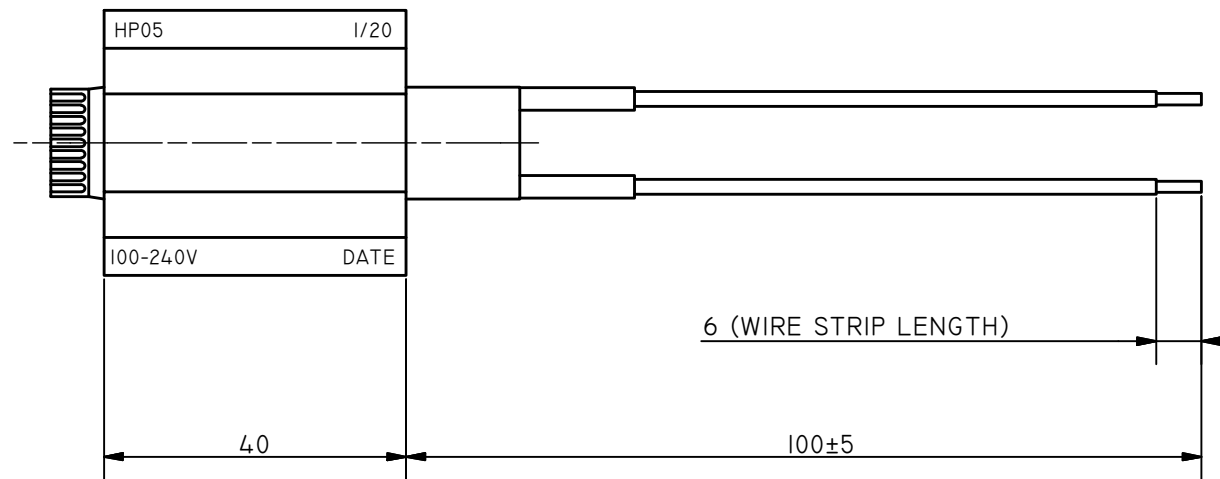
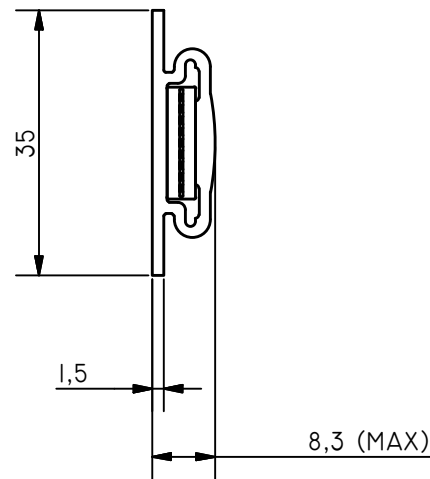
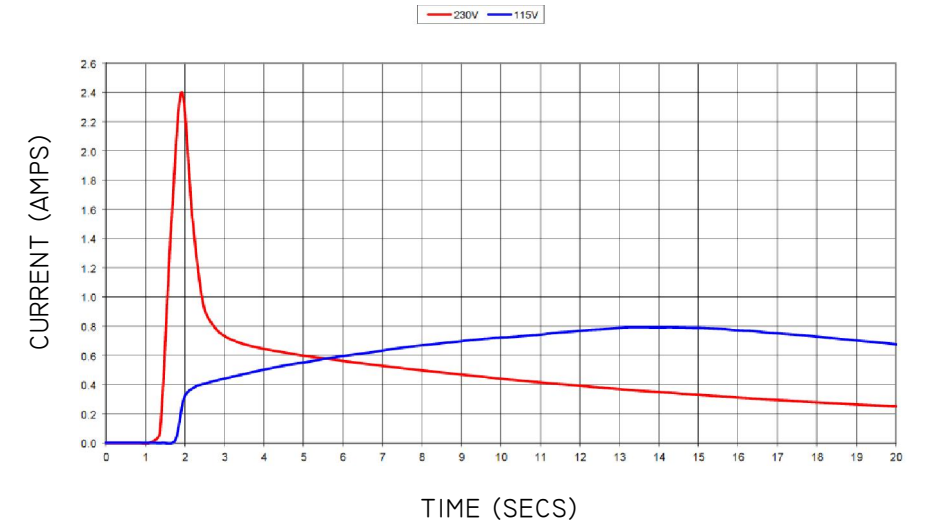


OPERATING VOLTAGE	100-240V
VOLTAGE CLASS	II
FREE AIR POWER AT 100V	10W APPROX.
FREE AIR POWER AT 240V	10W APPROX.
CABLE SPECIFICATION	20AWG, BLACK SILICONE INSULATED, UL STYLE 3367 200°C 300V
APPROX. WEIGHT	20GRAMS

*HEATER POWER WILL VARY ACCORDING TO APPLICATION.

TYPICAL INRUSH GRAPH



REVISION HISTORY									
REV	DESCRIPTION				DATE	ENGINEER	APPROVED		
01	INITIAL RELEASE				19/02/2013	MLR	ML		
REPRODUCTIONS OF THIS DRAWING OR TRANSFER TO A THIRD PARTY ARE NOT TO BE MADE WITHOUT PERMISSION FROM DBK TECHNITHERM.				IF IN DOUBT - ASK	PROJECT:	ALL UNITS IN MILLIMETERS UNLESS STATED	THIRD ANGLE PROJECTION		TOLERANCES UNLESS STATED:
				DO NOT SCALE	CUSTOMER:	CUST PT No:			0.00 ±0.1 0.0 ±0.3 0 ±0.5 ANGULAR ±0.5°
DRN	DATE	CHKD	APPR	DATE	MATERIAL:	FINISH:	GEN SCALE:	DRG SHT	
MLR	19/02/2013	JRJ	ML	19/02/2013	N/A	N/A	1:1	A3	
DBK Technitherm Ltd					TITLE: HP05 I-20 100-240V 100-30				
UNIT II, LLANTRISANT BUSINESS PARK LLANTRISANT CF72 8LF WALES, UK					PART No: FG14397.4			ISSUE	SHEET
								01	1 / 1

X-ON Electronics

Largest Supplier of Electrical and Electronic Components

Click to view similar products for [dbk technitherm](#) manufacturer:

Other Similar products are found below :

[HP06-2/09-240](#) [372467,01](#) [372834,01](#) [372466,01](#) [372735,01](#) [FINGER GUARD LARG](#) [NG150](#) [370306,01](#) [371082,01](#) [NG240](#) [15697,6](#)

[HP04-1/04-24](#) [NG100](#) [HP06-2/22-24](#) [NG50](#) [FINGER GUARD SMALL](#) [370089,01](#) [15662](#) [15661,2](#) [NG30](#) [15696,8](#) [371934,01](#) [371680,01](#)

[HP06-2/13-240](#) [370182,01](#) [371604,01](#) [370178,01](#) [370184,01](#) [370177,01](#) [HP05-1/04-24](#)