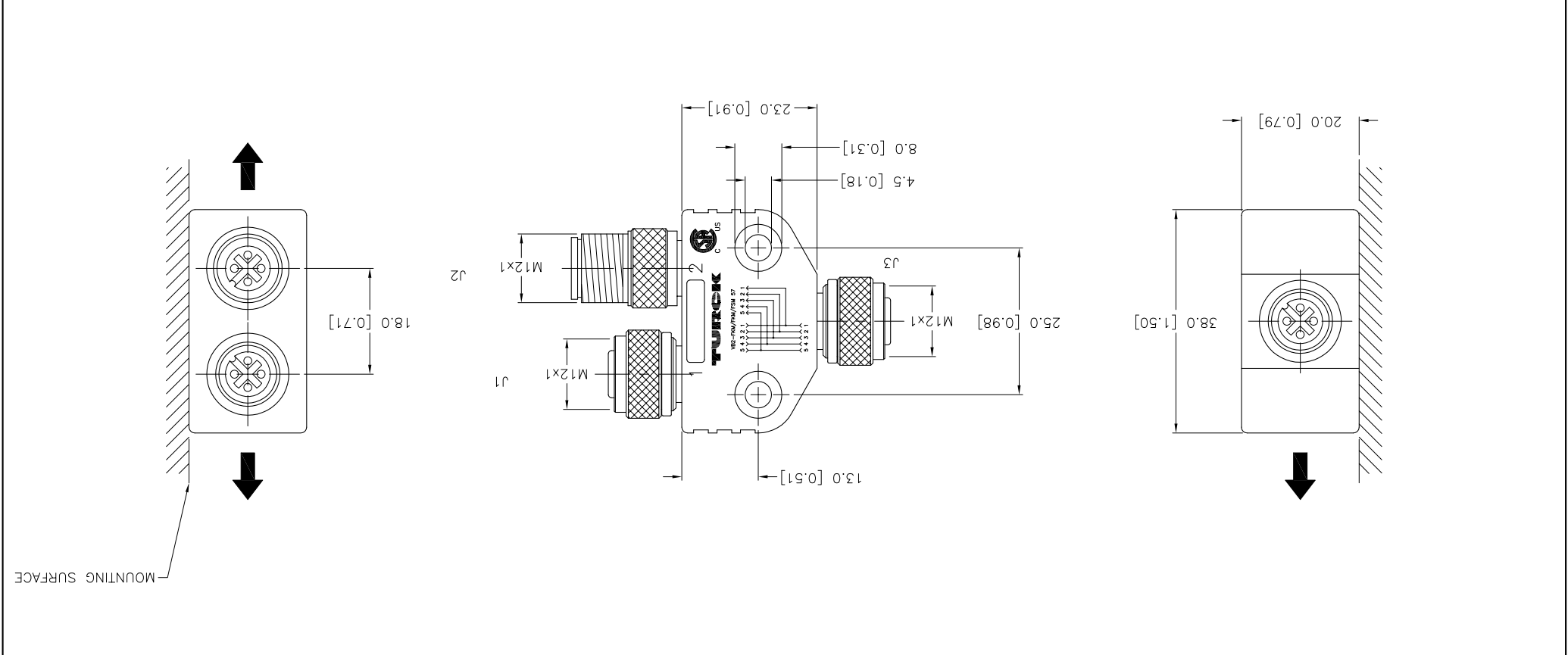
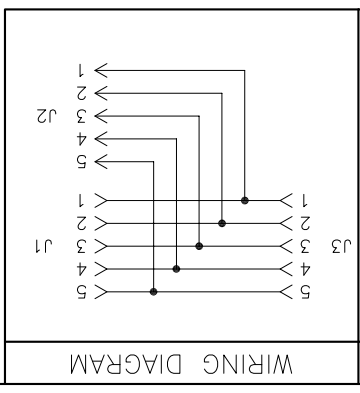
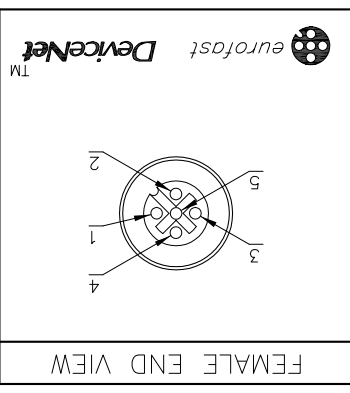
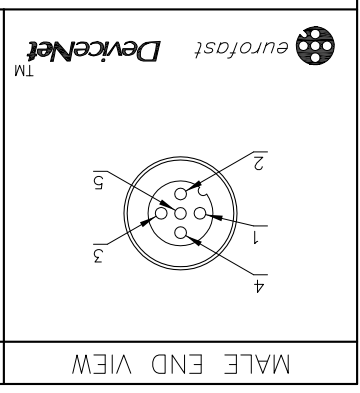


REV	F	DESCRIPTION	DRAWING PROCESSED AS PART OF ECO 33971	BY	CBM	DATE	04/07/11	ECO NO.	33971
MATERIAL	1. 2. 3. 4.								
RELATED DOCUMENTS	FINISH ALL DIMENSIONS DISPLAYED ON THIS DRAWING ARE FOR REFERENCE ONLY CONTACT TURCK FOR MORE INFORMATION								
DRFT	CBM	DATE	01/24/00	DSGN	SCALE	1=1.0	UNIT OF MEASUREMENT	MILLIMETER [INCH]	
DESCRIPTION	VB2-FKM FKM FSM 57 IDENTIFICATION NO. U0095-5 FILE: U0095-5 DO NOT SCALE THIS DRAWING								
3000 CAMPUS DRIVE MINNEAPOLIS, MN 55441 1-800-544-7769 (763) 553-7300 (763) 553-0708 fax turck.com TURCK INC High Technology Sensors and Automation Controls		THIS DRAWING IS CONFIDENTIAL AND THE PROPERTY OF TURCK INC. USE OF THIS DOCUMENT WITHOUT WRITTEN PERMISSION IS PROHIBITED.		3RD ANGLE PROJECTION 		HIGH TECHNOLOGY SENSORS AND AUTOMATION CONTROLS TURCK INC 3000 CAMPUS DRIVE MINNEAPOLIS, MN 55441 1-800-544-7769 (763) 553-7300 (763) 553-0708 fax turck.com			

↓ = RIGHT-ANGLED CORSET DIRECTION



SPECIFICATIONS			
CONTACT CARRIER MATERIAL	NYLON OR TPU		
MOLDED HEAD MATERIAL/COLOR	TPU/BLUE-GRAY		
CONTACT MATERIAL/PLATING	BRASS/GOLD		
COUPLING NUT MATERIAL/PLATING	BRASS/NICKEL		
RATED CURRENT [A]	4.0 A		
RATED VOLTAGE [V]	250 V		
TEMPERATURE RATING	-40°C to +105°C (-40°F to +221°F)		
PROTECTION CLASS	MEETS NEMA 1,3,4,6P AND IEC IP67		



X-ON Electronics

Largest Supplier of Electrical and Electronic Components

Click to view similar products for [turck](#) manufacturer:

Other Similar products are found below :

[NI12U-M18-AN4X](#) [B 5143-0](#) [BMWS 8151-0/9](#) [BI30U-CK40-AP6X2-H1141](#) [NI12U-M18-AP6X-H1141](#) [NI4U-EG08-AN6X-H1341](#) [BS 4151-0/9](#) [NI5-G12-AP6X-H1141](#) [NI14-G18-ADZ30X2](#) [FEN20-4DIP-4DXP-DIN](#) [BC10-QF5.5-RN6X2](#) [PKG 3M-4/S90](#) [FCS-N1/2A4P-AP8X-H1141](#) [FKFD 4.5](#) [NI3-EG08K-Y1-H1341](#) [RI360P0-QR24M0-INCRX2-H1181](#) [BCF5-S18-RP4X/S90](#) [BI5-M18-Y0X-H1141](#) [NI5-M12-Y1X-H1141](#) [NI35U-CK40-ADZ30X2-B3131 W/BS4](#) [WK 4T-2](#) [IM1-22EX-T](#) [RK 4T-10](#) [BI 2-EG08K-AP6X-V1131](#) [BI1.5-EG08-AP6X-H1341](#) [BC 5-Q08-AP6X2-V1131](#) [BC5-S18-Y1X](#) [CT 2-A30/M](#) [FDN20-4S-4XSG-E](#) [FKV-CC](#) [FSFD 8](#) [CMBS 8141-0](#) [BI10-M30-AN6X-H1141](#) [CMB 8151-0](#) [WK 4.5T-2/S618](#) [FKFD 8](#) [C10-T13X/024VDC](#) [NI4U-EG08-RP6X-V1131](#) [PKW 3M-6](#) [BI8U-M18-AP6X-H1141](#) [FS 4.5-0.5/14.5/NPT](#) [NI30U-M30-AP6X](#) [BS 5141-0](#) [BS 8141-0/LABEL*](#) [RS 4.5T-2](#) [RK 4T-6](#) [BI2-G12-AN6X-H1141](#) [RK 4.5T-6](#) [FSV 4.4-0.5](#) [PKG 3M-1-PSG 3](#)