





Amp	Volt	Hz	IP Ident. colour + h	 Part No.	Couplers	3 P +  IEC/EN 60 309	 	EAN No. 4015609...
-----	------	----	-------------------------------	---	-----------------	---	--	-----------------------

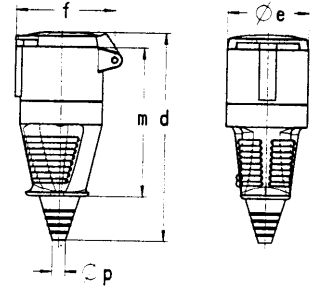

IP44

flexible cable entry

16	400	50/60	6	310 406
	110	50/60	4	310 404
	230	50/60	9	310 409
	500	50/60	7	310 407
	>50	100/300	10	310 410
	>50	300/500	2	310 402
440	60	11	310 411	

32	400	50/60	6	330 406
	110	50/60	4	330 404
	230	50/60	9	330 409
	500	50/60	7	330 407
	>50	100/300	10	330 410
	>50	300/500	2	330 402
440	60	11	330 411	

63	400	50/60	6	360 406
	110	50/60	4	360 404
	230	50/60	9	360 409
	500	50/60	7	360 407
	>50	100/300	10	360 410
	>50	300/500	2	360 402
440	60	11	360 411	



Ampère	d	Øe	f	m	Øp
16 A	161	58	76	113	8/21
32 A	196	72	91	141	11/24
63 A	266	96	114	196	15/33

10
192
015665
015641
015689
015672
015696
015627
015702

10
290
016709
016693
016730
016716
016747
016679
016754

5
719
017553
017546
017577
017560
160693
160686
017591

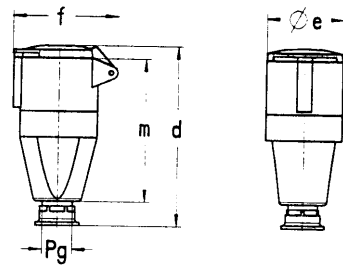

IP44

gland entry

16	400	50/60	6	311 406
	110	50/60	4	311 404
	230	50/60	9	311 409
	500	50/60	7	311 407
	>50	100/300	10	311 410
	>50	300/500	2	311 402
440	60	11	311 411	

32	400	50/60	6	331 406
	110	50/60	4	331 404
	230	50/60	9	331 409
	500	50/60	7	331 407
	>50	100/300	10	331 410
	>50	300/500	2	331 402
440	60	11	331 411	

63	400	50/60	6	361 406
	110	50/60	4	361 404
	230	50/60	9	361 409
	500	50/60	7	361 407
	>50	100/300	10	361 410
	>50	300/500	2	361 402
440	60	11	361 411	



Ampère	d	Øe	f	m	Pg
16 A	151	65	85	113	16
32 A	171	72	91	136	21
63 A	255	96	114	194	36

10
197
016037
016013
016051
016044
016068
016006
016075






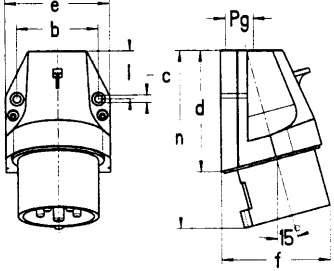



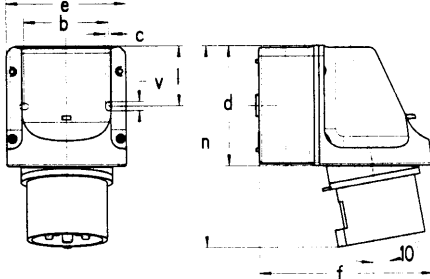


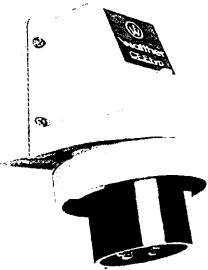
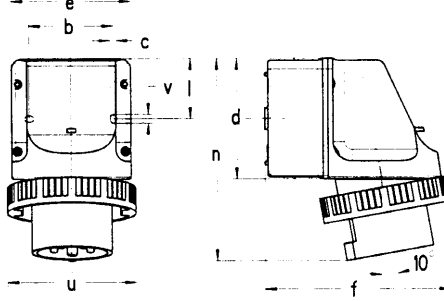

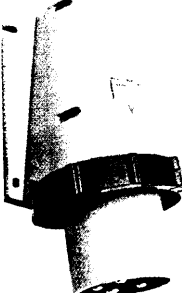
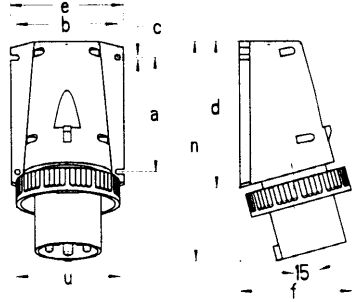
10
278
016990
016976
017010
017003
017027
016969
017034


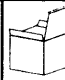



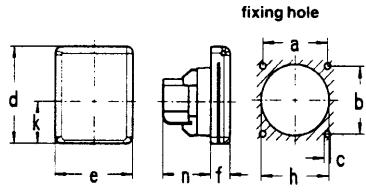

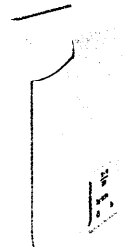
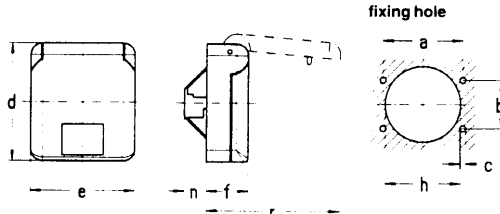


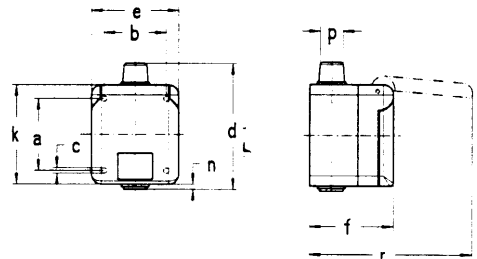


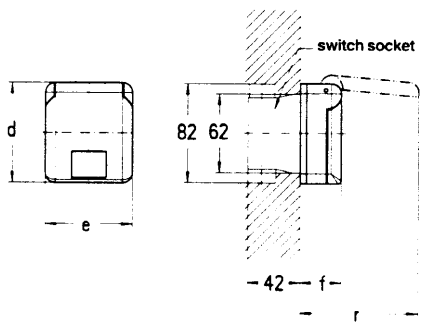
5
771
017751
017744
017775
017768
132522
160709
017782

125

see page 2/83


IP67

Amp	Volt	Hz	IP Ident. colour + h	Part No.	Wall mount appliance inlets	3 P +  IEC/EN 60 309	  9	EAN No. 4015609...																																	
					external fixing means, 1 top cable entry																																				
16	400	50/60	 6	610 406			10	023141																																	
	110	50/60	4	610 404				023134																																	
	230	50/60	9	610 409				023165																																	
	500	50/60	7	610 407				023158																																	
	>50	100/300	10	610 410				023172																																	
	>50	300/500	2	610 402				023127																																	
	440	60	11	610 411				023189																																	
	32	400	50/60	6				630 406		10	024056																														
		110	50/60	4				630 404			024032																														
		230	50/60	9				630 409			024070																														
500		50/60	7	630 407	024063																																				
>50		100/300	10	630 410	024087																																				
>50		300/500	2	630 402	024018																																				
440	60	11	630 411	024094																																					
					<table border="1"> <thead> <tr> <th>Ampère</th> <th>b</th> <th>c</th> <th>d</th> <th>e</th> <th>f</th> <th>l</th> <th>n</th> <th>Pg</th> </tr> </thead> <tbody> <tr> <td>16 A</td> <td>60</td> <td>5,3</td> <td>80</td> <td>74</td> <td>73</td> <td>31</td> <td>117</td> <td>16</td> </tr> <tr> <td>32 A</td> <td>60</td> <td>5,3</td> <td>97</td> <td>82</td> <td>80</td> <td>45</td> <td>141</td> <td>21</td> </tr> </tbody> </table>		Ampère	b	c	d	e	f	l	n	Pg	16 A	60	5,3	80	74	73	31	117	16	32 A	60	5,3	97	82	80	45	141	21								
Ampère	b	c	d	e	f	l	n	Pg																																	
16 A	60	5,3	80	74	73	31	117	16																																	
32 A	60	5,3	97	82	80	45	141	21																																	
					internal fixing means, 2 cable entries both, top and bottom (knock-out)																																				
16	400	50/60	 6	616 406			5	023783																																	
	110	50/60	4	616 404				023776																																	
	230	50/60	9	616 409				023790																																	
	500	50/60	7	616 407				165735																																	
	>50	100/300	10	616 410				165742																																	
	>50	300/500	2	616 402				165728																																	
	440	60	11	616 411				165759																																	
	32	400	50/60	6				636 406		5	024629																														
		110	50/60	4				636 404			166978																														
		230	50/60	9				636 409			146178																														
500		50/60	7	636 407	166985																																				
>50		100/300	10	636 410	165926																																				
>50		300/500	2	636 402	165919																																				
440	60	11	636 411	165933																																					
					<table border="1"> <thead> <tr> <th>Ampère</th> <th>b</th> <th>c</th> <th>d</th> <th>e</th> <th>f</th> <th>l</th> <th>n</th> <th>v</th> <th>Pg</th> </tr> </thead> <tbody> <tr> <td>16 A</td> <td>66,5</td> <td>5</td> <td>96</td> <td>95</td> <td>140</td> <td>47,5</td> <td>151</td> <td>7</td> <td>16/21</td> </tr> <tr> <td>32 A</td> <td>66,5</td> <td>5</td> <td>96</td> <td>95</td> <td>140</td> <td>47,5</td> <td>160</td> <td>7</td> <td>16/21</td> </tr> </tbody> </table>		Ampère	b	c	d	e	f	l	n	v	Pg	16 A	66,5	5	96	95	140	47,5	151	7	16/21	32 A	66,5	5	96	95	140	47,5	160	7	16/21					
Ampère	b	c	d	e	f	l	n	v	Pg																																
16 A	66,5	5	96	95	140	47,5	151	7	16/21																																
32 A	66,5	5	96	95	140	47,5	160	7	16/21																																
					internal fixing means, 2 cable entries both, top and bottom (knock-out)																																				
16	400	50/60	 6	618 406			5	023844																																	
	110	50/60	4	618 404				142606																																	
	230	50/60	9	618 409				023851																																	
	500	50/60	7	618 407				165773																																	
	>50	100/300	10	618 410				165780																																	
	>50	300/500	2	618 402				165766																																	
	440	60	11	618 411				165797																																	
	32	400	50/60	6				638 406		5	024681																														
		110	50/60	4				638 404			024674																														
		230	50/60	9				638 409			024698																														
500		50/60	7	638 407	167029																																				
>50		100/300	10	638 410	167036																																				
>50		300/500	2	638 402	167012																																				
440	60	11	638 411	167043																																					
					<table border="1"> <thead> <tr> <th>Ampère</th> <th>b</th> <th>c</th> <th>d</th> <th>e</th> <th>f</th> <th>l</th> <th>n</th> <th>u</th> <th>v</th> <th>Pg</th> </tr> </thead> <tbody> <tr> <td>16 A</td> <td>66,5</td> <td>5</td> <td>96</td> <td>95</td> <td>140</td> <td>47,5</td> <td>154</td> <td>81</td> <td>7</td> <td>16/21</td> </tr> <tr> <td>32 A</td> <td>66,5</td> <td>5</td> <td>96</td> <td>95</td> <td>147</td> <td>47,5</td> <td>164</td> <td>96</td> <td>7</td> <td>16/21</td> </tr> </tbody> </table>		Ampère	b	c	d	e	f	l	n	u	v	Pg	16 A	66,5	5	96	95	140	47,5	154	81	7	16/21	32 A	66,5	5	96	95	147	47,5	164	96	7	16/21		
Ampère	b	c	d	e	f	l	n	u	v	Pg																															
16 A	66,5	5	96	95	140	47,5	154	81	7	16/21																															
32 A	66,5	5	96	95	147	47,5	164	96	7	16/21																															
					external fixing means, 1 top cable entry																																				
63	400	50/60	6	668 406			2	024926																																	
	110	50/60	4	668 404				024919																																	
	230	50/60	9	668 409				024940																																	
	500	50/60	7	668 407				024933																																	
	>50	100/300	10	668 410				166046																																	
	>50	300/500	2	668 402				166039																																	
440	60	11	668 411	024957																																					
125	see page 2/93				<table border="1"> <thead> <tr> <th>Ampère</th> <th>a</th> <th>b</th> <th>c</th> <th>d</th> <th>e</th> <th>f</th> <th>n</th> <th>u</th> <th>Pg</th> </tr> </thead> <tbody> <tr> <td>63 A</td> <td>120</td> <td>106</td> <td>5,6</td> <td>152</td> <td>118</td> <td>118</td> <td>232</td> <td>113</td> <td>29</td> </tr> </tbody> </table>		Ampère	a	b	c	d	e	f	n	u	Pg	63 A	120	106	5,6	152	118	118	232	113	29															
Ampère	a	b	c	d	e	f	n	u	Pg																																
63 A	120	106	5,6	152	118	118	232	113	29																																

Amp	Volt	Hz	IP Ident. colour + h	Part No.	Schuko socket outlets	2 P +  DIN 49 440	 	EAN No. 4015609...																					
16	250~	-		10 003 1)	<p>panel socket straight</p>   <p>fixing dimension = a + b, flange dim. = d + e</p> <table border="1"> <thead> <tr> <th>Ampère</th> <th>a</th> <th>b</th> <th>c</th> <th>d</th> <th>e</th> <th>f</th> <th>h</th> <th>k</th> <th>n</th> </tr> </thead> <tbody> <tr> <td>16 A</td> <td>38</td> <td>38</td> <td>4,2</td> <td>60</td> <td>50</td> <td>12,5</td> <td>43,5</td> <td>26</td> <td>26,5</td> </tr> </tbody> </table>	Ampère	a	b	c	d	e	f	h	k	n	16 A	38	38	4,2	60	50	12,5	43,5	26	26,5	10	003457		
	Ampère	a		b		c	d	e	f	h	k	n																	
	16 A	38		38		4,2	60	50	12,5	43,5	26	26,5																	
250~	-	10 001 2)	46	003433																									
1) blue 2) grey			10 014	Facility for protection against accidental contact with live parts according to VBG 4 for Schuko socket outlets	10 3	180493																							
16	250~	-		10 004	<p>mondo panel socket straight, RAL 7035 light grey</p>   <p>fixing dimension = a + b, flange dim. = d + e</p> <table border="1"> <thead> <tr> <th>Ampère</th> <th>a</th> <th>b</th> <th>c</th> <th>d</th> <th>e</th> <th>f</th> <th>h</th> <th>n</th> <th>r</th> </tr> </thead> <tbody> <tr> <td>16 A</td> <td>53</td> <td>32</td> <td>4,2</td> <td>80</td> <td>70</td> <td>28</td> <td>50</td> <td>18</td> <td>91</td> </tr> </tbody> </table>	Ampère	a	b	c	d	e	f	h	n	r	16 A	53	32	4,2	80	70	28	50	18	91	10	003464		
						Ampère	a	b	c	d	e	f	h	n	r														
16 A	53	32	4,2	80	70	28	50	18	91																				
94																													
16	250~	-		10 007	<p>mondo panel socket, surface mounting, RAL 7035 light grey</p>   <table border="1"> <thead> <tr> <th>Ampère</th> <th>a</th> <th>b</th> <th>c</th> <th>d</th> <th>e</th> <th>f</th> <th>k</th> <th>n</th> <th>p</th> <th>r</th> </tr> </thead> <tbody> <tr> <td>16 A</td> <td>58</td> <td>50</td> <td>4,5</td> <td>98</td> <td>70</td> <td>68</td> <td>80</td> <td>5</td> <td>7/17,5</td> <td>130</td> </tr> </tbody> </table>	Ampère	a	b	c	d	e	f	k	n	p	r	16 A	58	50	4,5	98	70	68	80	5	7/17,5	130	10	003495
						Ampère	a	b	c	d	e	f	k	n	p	r													
16 A	58	50	4,5	98	70	68	80	5	7/17,5	130																			
153																													
16	250~	-		10 008	<p>mondo wall socket outlet, flush-type, RAL 1013 pearl white, with plaster thickness adjustment</p>   <p>switch socket</p>	<table border="1"> <thead> <tr> <th>Ampère</th> <th>d</th> <th>e</th> <th>f</th> <th>r</th> </tr> </thead> <tbody> <tr> <td>16 A</td> <td>80</td> <td>70</td> <td>33</td> <td>96</td> </tr> </tbody> </table>	Ampère	d	e	f	r	16 A	80	70	33	96	10	003501											
							Ampère	d	e	f	r																		
16 A	80	70	33	96																									
120																													

X-ON Electronics

Largest Supplier of Electrical and Electronic Components

Click to view similar products for [walther](#) manufacturer:

Other Similar products are found below :

[339306](#) [269306](#) [239](#) [630406](#) [330](#) [10110](#) [269](#) [430304](#) [130406](#) [630306](#) [410](#) [319306](#) [630](#) [10280](#) [10380](#) [410306](#) [610304](#) [10400](#) [210304](#)
[310306](#) [410304](#) [210](#) [330304](#) [230304](#) [230306](#)