



180-122 (06)
GHD • Glenair High Density
Fiber Optic Connection System
D38999 Style Plug Connector with Alignment Sleeve Retainer (ASR)



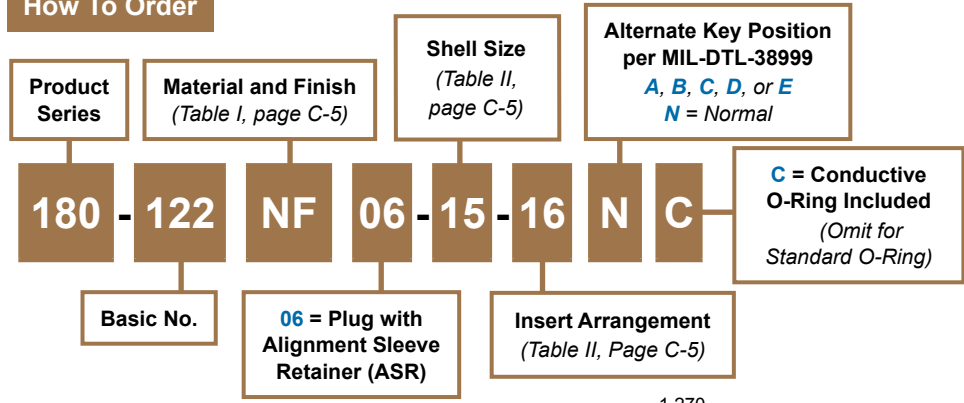
GHD Plug connector with removable alignment sleeve retainer (ASR)

C

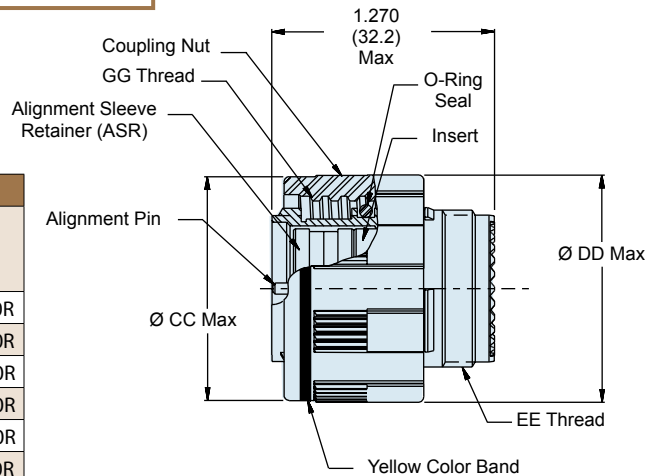


D38999 Style Plug Connector

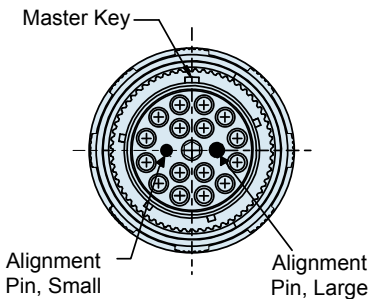
How To Order



Shell Size Code	Shell Size	GG Thread	Ø CC Max	Ø DD Max	EE Thread
B	11	.7500-.1P-.3L-TS-2B	.929 (23.6)	.984 (25.0)	M15 X 1.0-6g 0.100R
C	13	.8750-.1P-.3L-TS-2B	1.110 (28.2)	1.157 (29.4)	M18 X 1.0-6g 0.100R
D	15	1.0000-.1P-.3L-TS-2B	1.232 (31.3)	1.280 (32.5)	M22 X 1.0-6g 0.100R
E	17	1.1875-.1P-.3L-TS-2B	1.358 (34.5)	1.406 (35.7)	M25 X 1.0-6g 0.100R
F	19	1.2500-.1P-.3L-TS-2B	1.469 (37.3)	1.516 (38.5)	M28 X 1.0-6g 0.100R
G	21	1.3750-.1P-.3L-TS-2B	1.594 (40.5)	1.642 (41.7)	M31 X 1.0-6g 0.100R
H	23	1.5000-.1P-.3L-TS-2B	1.720 (43.8)	1.768 (44.9)	M34 X 1.0-6g 0.100R
J	25	1.6250-.1P-.3L-TS-2B	1.843 (46.8)	1.890 (48.0)	M37 X 1.0-6g 0.100R



06 - PLUG WITH ASR



Material and Finish

Barrel, Coupling Nut: See Table I, page C-5.
 Coupling Nut (for composite): High grade engineering thermoplastic/unplated.
 Insert: High grade rigid dielectric, or Al Alloy/Anodize - MFR's option.
 Alignment Sleeve Retainer: Al Alloy/anodize.
 Seal: Fluorosilicone.

Notes

Consult factory for optional RFI spring.
 Alignment Sleeve Retainer is supplied with plug connector, and maybe ordered separately.
 See Glenair drawing 180-122ASR.

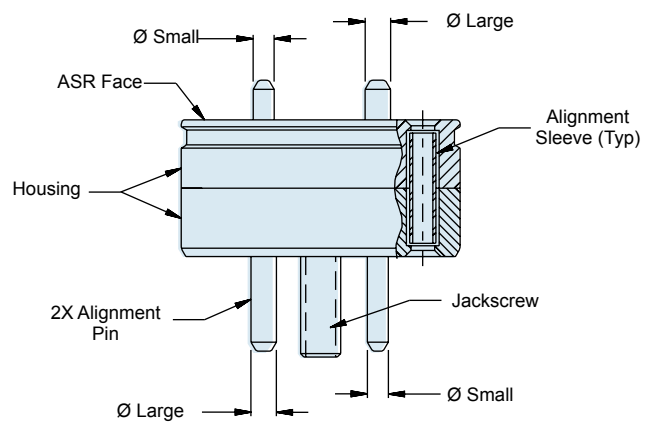
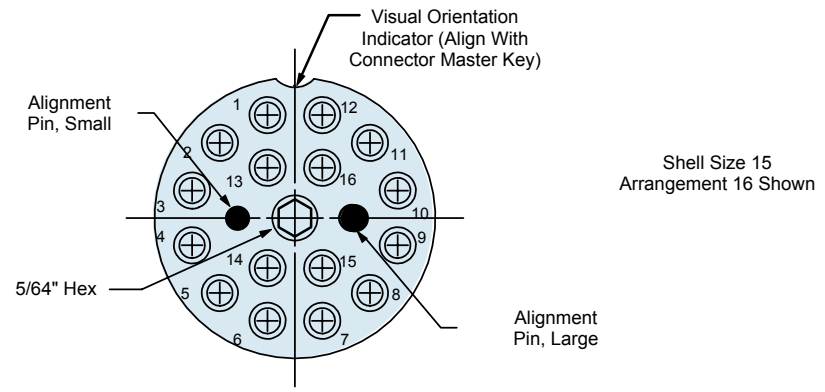
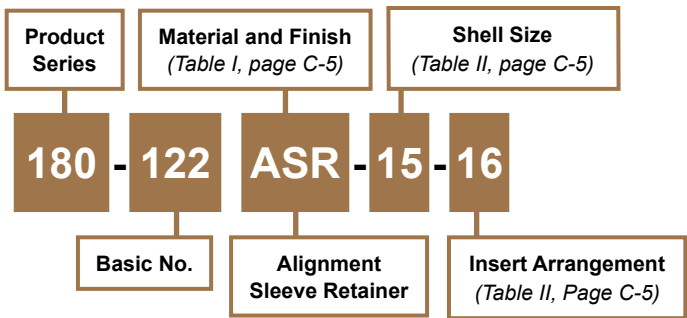


GHD alignment sleeve retainer (ASR)



Alignment Sleeve Retainer (ASR)

How To Order



Material and Finish

Housing: Al Alloy/Anodize
 Alignment Pin and Jackscrew: Stainless Steel/Passivate
 Alignment Sleeve: Zirconia Ceramic

X-ON Electronics

Largest Supplier of Electrical and Electronic Components

Click to view similar products for [Fiber Optic Connectors](#) category:

Click to view products by [Glenair](#) manufacturer:

Other Similar products are found below :

[0004700001](#) [6100-R](#) [6313](#) [F709034706](#) [F709722200](#) [F709730000](#) [F718183204](#) [F727403500](#) [F727752800](#) [FCXO-12-3BY](#) [FO-SCREW\(M2X6\)](#) [9440F20-27S-190](#) [944-120-6001](#) [944-125-6003](#) [9441F10SL-3P](#) [953-101-5310-P](#) [954-101-57202B](#) [A0270169](#) [12-9122](#) [12-5702](#) [143025NC](#) [DSAKB](#) [AX101713](#) [AX102420](#) [AX103923](#) [AX104193](#) [AX104230](#) [AX104562](#) [AX104683](#) [AX105203-B25](#) [AX105205-S1](#) [EHSC2M](#) [17-300800](#) [180-044NF06-11-2S](#) [180-044NF06-17-8P](#) [180-044NF07-11-2S](#) [181-011-126](#) [181-011-S](#) [181-057-126](#) [BT34IW](#) [HRFCP-HSCJ-1\(61\)](#) [HRFC-R2\(40\)](#) [NKSOPBUY](#) [20500002116](#) [2064996-1](#) [20800001065](#) [2170](#) [9132](#) [2612](#) [2620](#)