



Productivity Through Protection™

Circuit Protection Solutions

CAMASTER and SAFELOC BS88 Fuseholders Product Guide



Safeloc HRC Fuseholder - 660V ac: 32A - 63A

NNS, ENS

Specification Description:

Fuseholder to use with BS88 Fuse links for bolted panel mounting or DIN rail.

Dimensions: See Dimensions illustrations

Ratings:

Volts: -550Vac, 415V (63A)

Amps: -32, 63A

Agency information: CE, Compliance to BS88, EN IEC 60269 and CSA C22.2. NO .106 standards



Features & Benefits

- Unique slide/snap action carrier which eliminates the need for fuse carrier contacts
- Low power loss and increased reliability due to the design of the carrier that provides positive stress free fitting of fuse and locates position of the fuse.
- Protection against electrical shock. Base contacts are fully shrouded
- Easy and fast access to the contact terminal screw due to simple sliding retained shrouds
- Flexible mounting: simple screw or DIN Rail

Typical applications

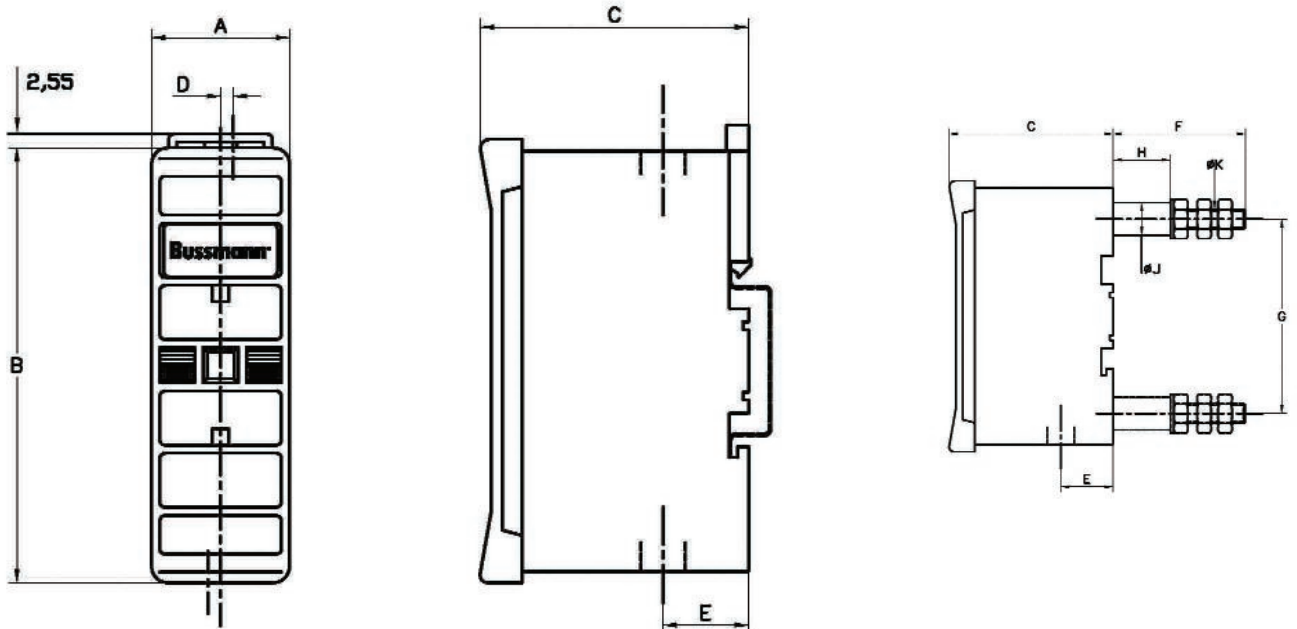
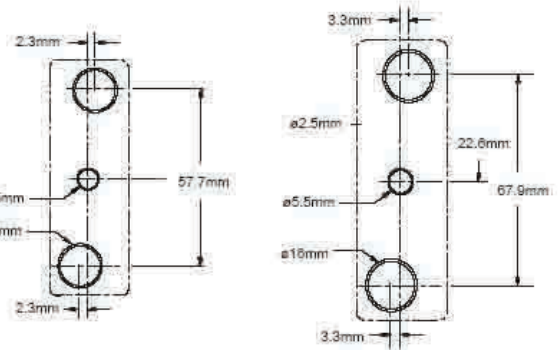
- Lighting equipment and circuit protection
- Heating equipment and circuit protection
- Motor protection
- Control equipment circuit protection

Catalogue Part Numbers

| Available Variants | Catalogue request | |
|---------------------------------|-------------------|----------|
| | NNS | ENS |
| Front connected/Front connected | 32NNSF | 63ENSF |
| Back Stud/Back/Stud | 32NNSBS | 63ENSBS |
| Front connected/Back Stud | 32NNSFBS | 63ENSFBS |
| Neutral Links | 32NNL | 63ENL |

Dimensions

| Rating (A) | Part No | Max Cable mm ² | Rec. Fuse Link | Dimensions (mm) | | | | | | | | | |
|------------|---------|---------------------------|----------------|-----------------|------|------|-----|------|------|------|------|------|----|
| | | | | A | B | C | D | E | F | G | H | J | K |
| 32 | NNS | 16 | NSD | 25.4 | 80.3 | 48.5 | 2.3 | 16.0 | 39.2 | 57.7 | 17.0 | 9.7 | M6 |
| 63 | ENS | 35 | ESD | 29.1 | 90.0 | 55.0 | 3.3 | 17.7 | 75.0 | 67.9 | 39.2 | 11.0 | M8 |



Camaster HRC Fuseholder - 660V ac: 20A-32A-63A-100A-200A*-400A*

CM

Specification Description: Fully shrouded fuse bases with unique cam action system for BS88 Fuse link applications

Dimensions: See Dimensions illustrations

Ratings:

Volts - 660 Vac

Amps : 20, 32 (Compact)32, 63, and 100A

Agency information: CE, Compliance to BS88, EN IEC 60269

* Please note that the 200A & 400A do not have the CAM action



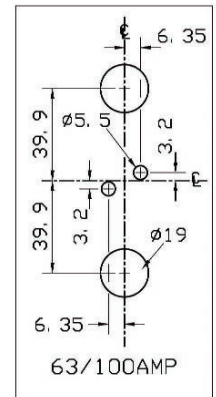
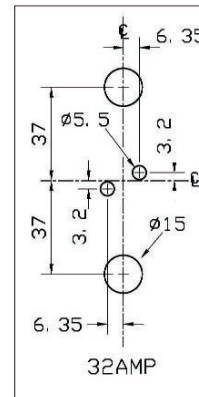
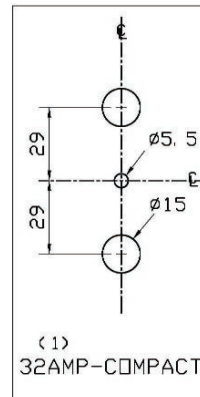
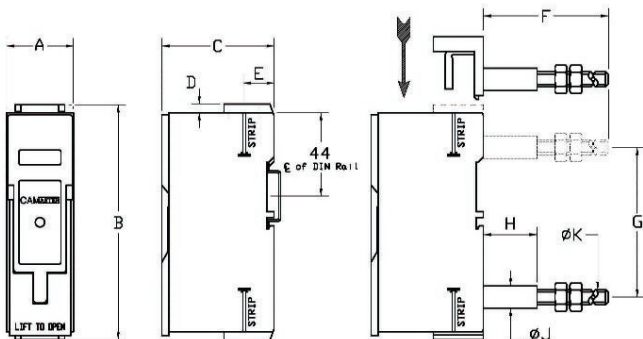
Features and Benefits

- Easy to remove the carrier from the fuse base due to the cam action system (*excluding 200A & 400A)
- Enhanced electrical performance level due to special design of cam system that increase the pressure between fuse base and fuse carrier contact
- Easy and fast connection; conversion capability, retro fit on site
- Safer maintenance operations thanks to lockable safety carriers
- Flexible mounting capability both DIN rail and panel bolted without accessories
- Reduce downtime operations installing a neon clip-in indicator, easy to identify operated fuse location
- Flexible use of multiple configurations needed due to the 2 or 3 poles ganging accessories

Dimensions

| Rating (A) | Cat. No | Max cable mm ² | Rec. Fuse Link | Dimensions (mm) | | | | | | | | | |
|------------|---------|---------------------------|----------------|-----------------|-------|-------|------|------|------|------|------|------|-----|
| | | | | A | B | C | D | E | F | G | H | J | K |
| 20 | CM20F | 16 | NITD | 25.4 | 93.7 | 60 | 3.2 | 17.5 | 66.0 | 58.0 | 28.6 | 11.9 | M6 |
| 32 | CM32FC | 16 | NITD | 25.4 | 93.7 | 60 | 3.2 | 17.5 | 66.0 | 58.0 | 28.6 | 11.9 | M6 |
| 32 | CM32F | 16 | AAO | 31.8 | 117.5 | 60 | 3.2 | 17.5 | 66.0 | 74.0 | 28.6 | 11.9 | M6 |
| 63 | CM63F | 70 | BAO | 35.6 | 125 | 60 | 4.75 | 16.4 | 86.5 | 81.0 | 28.6 | 11.9 | M8 |
| 100 | CM100F | 70 | OSD | 35.6 | 125 | 60 | 4.75 | 16.4 | 86.5 | 81.0 | 28.6 | 11.9 | M8 |
| 200 | 200DF | 95 | DD | 70 | 193 | 149 | 17.5 | 35.6 | 8 | 138 | 30 | 24 | M12 |
| 400 | 400EF | 240 | ED | 98.4 | 254 | 192.1 | 31.8 | 36.5 | - | - | - | - | - |

| Accessory | Rating (A) | Catalogue No | Carton Qty |
|--------------------------|------------|--------------|------------|
| Back Stud | 32 | 32BSC | 10 |
| | 32 | 32BS | 10 |
| | 63/100 | 63/100BS | 5 |
| Ganging Links | | GLP | 1 set |
| Neon Indicator | 90-415V ac | NI | 3 |
| Lockable Safety Carriers | | 32LSCC | 3 |
| | | 32LSC | 3 |
| | | 63/100LSC | 3 |
| Neutral Links | 32 | 32CMLC | 1 |
| | 32 | 32CML | |
| | 63/100 | 63/100CML | |
| Security Clip | | CMSC | 20 |



SAFELOC HRC Fuseholder - 660V: 32A-63A

| Features | | Benefits | |
|-----------------------------|---|----------|--|
| Cost Saving | DIN Rail and screw mounting as standard | ➔ | No need to acquire separate mounting accessories |
| Time saving | Sliding retained shrouds | ➔ | Reduce installing time, no need to remove screws to access the fuse base terminal |
| Increased safety | Base contacts fully shrouded | ➔ | Protection to electrical shock for accidental touch of live parts |
| Superior performance | Slide/snap action for fuse extractions | ➔ | Reduce power loss by perfect alignments of contacts and direct contacts between fuse tags and fuse holder contacts |
| | | ➔ | No tools required to install or replace fuselinks |

SAFELOC Cross Reference

| Cooper Bussmann | Bill | GE | Lawson |
|-----------------|-------|-------|--------------|
| 32NNSF | V32FF | SC32H | LCF32FC/FCBK |
| 32NNSFBS | V32FB | - | LCF32FC/BCBK |
| 32NNSBS | - | SC32P | LCF32BC/BCBK |
| 63ENSF | V63FF | SC63H | LCF63FC/FCBK |
| 63ENSFBS | V63FB | - | LCF63FC/BCBK |
| 63ENSBS | - | SC63P | LCF63BC/BCBK |

Fusebanks

Two ranges of fuse banks are available, utilising the CAMASTER and SAFELOC fuseholders. The fuse banks consist of single phase assemblies of busbar connected fuseholders mounted on a back strap, for incorporation in distribution fuse boards to facilitate compliance with BS5486 parts 1&2.

The banks are available in 4 to 12 ways (4 to 8 ways at 100A) and a compatible range of neutral bars and earth terminal busbars are also available.



SAFELOC

IT'S EASY TO CHANGE!



IT'S EASY TO...
install on DIN
rail or bolted on
panel without
accessories



IT'S EASY TO...
insert fuses into
carrier without
the use of tools
with the
slide/lock
system



IT'S EASY TO...
access cable
terminals with
sliding retained
shrouds



IT'S EASY TO...
get lower power
losses with direct
contact between
fuselink and base
terminals

CAMASTER *IT'S EASY TO CHANGE!*



IT'S EASY TO...
install on DIN Rail or bolted on panel without accessories



IT'S EASY TO...
insert fuses, using captive hinged screws on carrier



IT'S EASY TO...
assembly multiple poles with ganging clip accessories



IT'S EASY TO...
identify operated fuselink with a clip neon indicator accessory



IT'S EASY TO...
access cable terminals with hinged shroud



IT'S EASY TO...
remove carrier from fuse base using unique patented CAM action

CAMASTER Features & Benefits

| | Features | | Benefits |
|-----------------------------|--|---|--|
| Cost Saving | DIN rail and screw mounting as standard | ➔ | Reduce inventory with less configurations of stock required |
| | Retro-fit back stud connections | | |
| Time saving | Fuse carrier with captive, hinged screws | ➔ | Reduce downtime and installation time and avoid losing screws during fuse replacement |
| | Neon indicator | ➔ | Reduce downtime by immediate location of operated fuse link |
| | Hinged cable terminal shrouds | ➔ | Reduce installing time, no need to remove screws to access the fuse base terminal |
| Increased safety | Base contacts fully shrouded | ➔ | Protection to electrical shock for accidental contact with live parts |
| Superior performance | Easily extracted carrier | ➔ | With patented CAM action the carrier needs up to 93% less extraction to remove carrier |

CAMASTER Cross Reference

| Cooper Bussmann | MEM | Lawson | GE "Red Spot" | Fuse & Neutral Links |
|--------------------|---------|---------------|---------------|---|
| CM32FC | 20MFB | LBI20FC/FCBK | RS20H | Fuselink: NITD2-32A Neutral Link: 32CMLC |
| CM32FCW | 20MFBW | LBI20FC/FCWH | RS20HWH | |
| CM32FC + 32BSC | 20MFC | LBI20BC/BCBK | RS20P/G | |
| CM32FCW + 32BSC | 20MFCW | LBI20FC/BCBK | RS20P/GWH | |
| CM32FC + 32BSC | 20MFD | LBI32FC/FCBK | RS20PH/G | |
| CM32F | 32MFB | LBI32FC/FCWH | RS32H | Fuselink: AAO 2 - 32 Neutral Link: 32CML |
| CM32FW | 32MFBW | LBI32BC/BCBK | RS32HWH | |
| CM32F + 32BS | 32MFC | LBI32BC/BCWH | RS32P | |
| CM32FW + 32BS | 32MFD | LBI32FC/BCBK | RS32PWH | |
| CM32F + 32BS | 63MFB | LBI63FC/FCBK | RS32PH | |
| CM63F | 63MFBW | LBI63FC/FCWH | RS63H | Fuselink: BAO35-63A Neutral Link: 63/100CML |
| CM63FW | 63MFC | LBI63BC/BCBK | RS63HWH | |
| CM63F + 63/100BS | 63MFCW | LBI63BC/BCWH | RS63P | |
| CM63FW + 63/100BS | 63MFD | LBI63FC/BCBK | RS63PH | |
| CM63FW + 63/100BS | - | LBI63FC/BCWH | RS63PHWH | |
| CM100F | 100MFB | LBI100FC/FCBK | RS100H | Fuselink: OSD80 - 100A Neutral Link: 63/100CML |
| CM100FW | 100MFBW | LBI100FC/FCWH | RS100HWH | |
| CM100F + 63/100BS | 100MFC | LBI100BC/BCBK | RS100P | |
| CM100FW + 63/100BS | 100MFCW | LBI100BC/BCWH | RS100PWH | |
| CM100F + 63/100BS | 100MFD | LBI100FC/BCBK | RS100PH | |

Contact Us:

EUROPEAN HEADQUARTERS

Cooper Bussmann (UK) Ltd
Burton-on-the-Wolds
LE12 5TH
United Kingdom
www.cooperbussmann.com

Tel: 00 44 (0) 1509 882 737
Fax: 00 44 (0) 1509 882 786

WORLD HEADQUARTERS

Cooper Bussmann Inc.
St Louis, Missouri 63178
USA
636-394-2877
www.cooperbussmann.com

Web services

www.cooperbussmann.com

Cooper Bussmann website make available free information and other resources that include:

- Product data sheets for complete technical information on Cooper Bussmann products
- Online catalogues for the latest United States and European products
- Safety BasICs™ for the essentials of electrical safety
- Training modules for increasing skill levels of customers and end-users
- Cross referencing to find the correct Cooper Bussmann replacement for a competitor's fuse

Your authorised Cooper Bussmann Distributor



COOPER Lighting



COOPER Crouse-Hinds



COOPER Power Systems



COOPER Wiring Devices



COOPER B-Line

X-ON Electronics

Largest Supplier of Electrical and Electronic Components

Click to view similar products for [Fuse Holder](#) category:

Click to view products by [Eaton](#) manufacturer:

Other Similar products are found below :

[570-290-741P40](#) [570-290-751P40](#) [0031.1351.01](#) [020417G](#) [020418E](#) [80910030](#) [8601.2020](#) [9-3557-GP REV A](#) [15600-08-10](#) [BK1-HTC-45M](#)
[BK/FHN19G](#) [BK/HJM-HH](#) [BK/HKP-CCHH](#) [BK/HKP-E-CC](#) [BK/HKP-E-HH](#) [BK/HKP-EH-HH](#) [BK/HKP-U-HH](#) [BK/HTJ-LES-FUSE](#)
[HMG-241](#) [2086-1](#) [2193](#) [RTMF-SC](#) [2602](#) [2650](#) [FHN31G1](#) [G4PB8](#) [2660](#) [2799](#) [CQ-209V](#) [345621A](#) [3794](#) [4202](#) [4408](#) [4413](#) [4423](#) [4482](#)
[4532](#) [4537](#) [TSD1404-12](#) [BK/FHN31G1](#) [BK/HKP-H-CC](#) [BK/HKP-JQ-BB](#) [BK/HKP-JQW-BB](#) [BK/HKP-N-HH](#) [BK/HKP-S-CC](#) [BK/HKP-W-](#)
[BBHH](#) [BP/HHS](#) [BPHHU](#) [55900008011](#) [C1933](#)