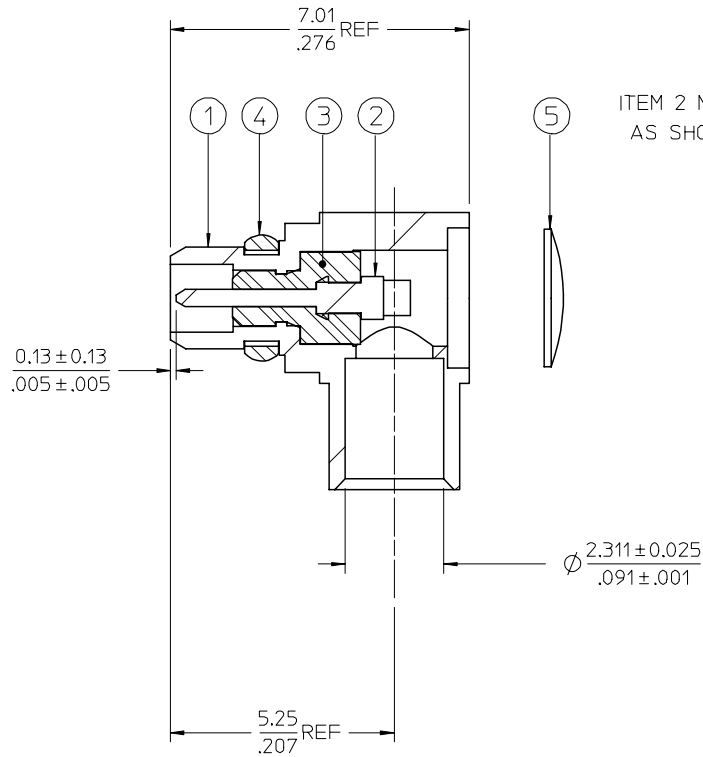


ASSEMBLY PROCEDURE:

1. PRESS ITEM 3 INTO ITEM 1 UNTIL ITEM 3 BOTTOMS
3. PRESS ITEM 2 INTO ITEM ITEM 3 PER DIMENSION SHOWN.
4. PACKAGE CONNECTOR WITH ITEMS 5.
5. SLIDE ITEM 4 OVER ITEM 1 UNTIL ITEM 4 SLIPS INTO GROOVE IN ITEM 1.
6. CENTER CONTACT MUST WITHSTAND 13.35 N(3.0 LBS) OF AXIAL FORCE.



LABEL WITH EACH BAG FOR 73415-2162:

P/N 73415-2162  
MOLEX  
DATE: YY/WW

73415-2162	73415-2161, ONE PER BAG
73415-2161	BULK
73415-2160	BULK
PART NO.	PACKAGING

5	89674-0711	CAP	1	5	89674-0712	CAP	1
4	89674-5202	SNAP RING	1	4	89674-5203	SNAP RING	1
3	89672-5000	INSULATOR	1	3	89672-5000	INSULATOR	1
2	89665-2504	CONTACT	1	2	89665-2505	CONTACT	1
1	89696-3921	BODY	1	1	89696-3922	BODY	1
	PART NO.	DESCRIPTION	QTY		PART NO.	DESCRIPTION	QTY

PART # 73415-2160

PART # 73415-2161

CHG: REDREW IN SD CHANGED ALL DIMS FROM IN/MM TO MM/IN EC NO: URF2007-0264 DRWN: FLAHERTY 2007/01/09 CHKD: SHAH 2007/01/09 APPR: JIMENER 2007/01/09 A2	QUALITY SYMBOLS	GENERAL TOLERANCES (UNLESS SPECIFIED)	DIMENSION STYLE	SCALE	DESIGN UNITS	THIRD ANGLE PROJECTION	
	$\nabla=0$ $\nabla=0$	mm    INCH 4 PLACES ± --- ± --- 3 PLACES ± --- ± --- 2 PLACES ± --- ± --- 1 PLACE ± --- ± --- ANGULAR ± 2 °	MM/IN	DRAWN BY    DATE TEF            2002/01/24 CHECKED BY    DATE SSS            2002/01/24 APPROVED BY    DATE GMH            2002/01/24	METRIC		TITLE MMCX PLUG, R/A FOR SR086 CABLE, 50 OHMS MMCX-PC/RA
		DRAFT WHERE APPLICABLE MUST REMAIN WITHIN DIMENSIONS	SEE TABLE	MATERIAL NO.			MOLEX INCORPORATED DOCUMENT NO.    SHEET NO. E-73415-216      1 OF 1
				THIS DRAWING CONTAINS INFORMATION THAT IS PROPRIETARY TO MOLEX INCORPORATED AND SHOULD NOT BE USED WITHOUT WRITTEN PERMISSION			

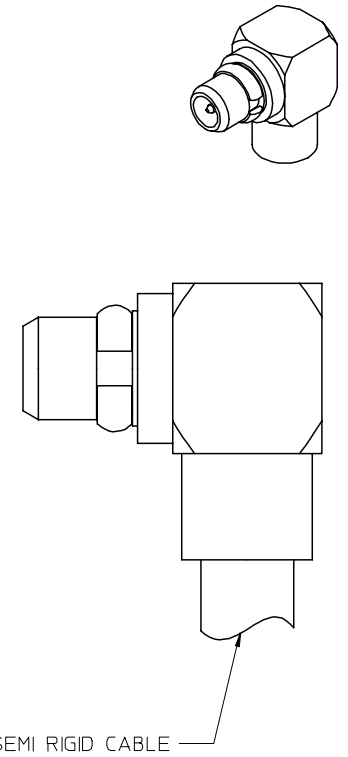
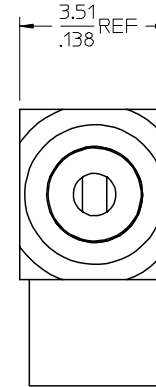
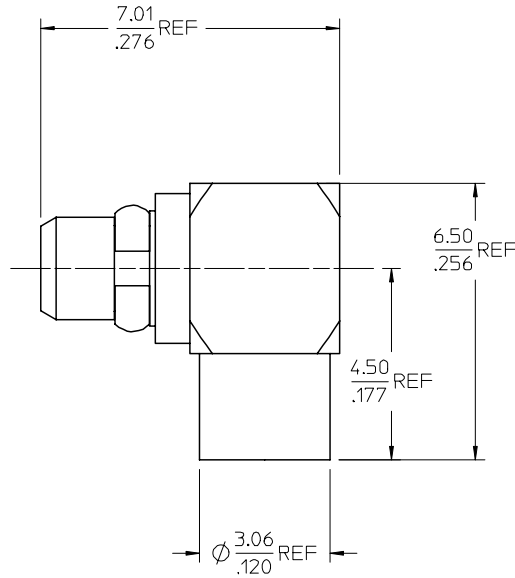
13 12 11 10 9 8 7 6 5 4 3 2 1

MATERIALS AND FINISHES

BODY, CAP BRASS  
PLATED GOLD

CENTER CONTACT BRASS  
PLATED GOLD

INSULATOR TEFLON



AS-89678-3200	CABLE ASSY INSTRUT.
ES-73599-0000-015	INTERFACE
PS-89675-1930	ELECTRO/MECH PERFORM.
SPECIFICATION	DESCRIPTION

73415-2162	73415-2161, ONE PER BAG
73415-2161	PER COMMERIAL REQUIREMENTS, BULK
73415-2160	PER MILITARY REQUIREMENTS, BULK
PART NO.	PLATING AND PACKAGING

CHG: REDREW IN SD  
CHANGED ALL DIMS  
FROM IN/MM TO MM/IN  
LOADED INTO WM  
ADDED P/N  
73415-2162  
EC NO: URF2007-0264  
DRWN: F. LAHERY 2007/01/09  
CHKD: S. SHAH 2007/01/09  
APPR: J. E. NER 2007/01/09  
A1

QUALITY SYMBOLS  
 = 0  
 = 0

GENERAL TOLERANCES (UNLESS SPECIFIED)	
mm	INCH
4 PLACES ± .005	± .0002
3 PLACES ± .003	± .0001
2 PLACES ± .002	± .0001
1 PLACE ± .001	± .0001
ANGULAR ± 2 °	
DRAFT WHERE APPLICABLE MUST REMAIN WITHIN DIMENSIONS	

DIMENSION STYLE	
MM/IN	
DRAWN BY	DATE
TEF	2000/06/15
CHECKED BY	DATE
SSS	2000/06/15
APPROVED BY	DATE
GMH	2000/06/15
MATERIAL NO.	
SEE TABLE	

SCALE	DESIGN UNITS	THIRD ANGLE PROJECTION
	METRIC	
TITLE		
MMCX PLUG, R/A FOR SR086 CABLE, 50 OHMS MMCX-PC/RA		
MOLEX INCORPORATED		
MATERIAL NO.	DOCUMENT NO.	SHEET NO.
	SD-73415-216	1 OF 1
THIS DRAWING CONTAINS INFORMATION THAT IS PROPRIETARY TO MOLEX INCORPORATED AND SHOULD NOT BE USED WITHOUT WRITTEN PERMISSION		

12 11 10 9 8 7 6 5 4 3 2 1

## X-ON Electronics

Largest Supplier of Electrical and Electronic Components

*Click to view similar products for [RF Connector Accessories](#) category:*

*Click to view products by [Molex](#) manufacturer:*

Other Similar products are found below :

[R280461210](#) [89674-0712](#) [F702RX24](#) [FERRULE-174](#) [9-225381-1](#) [9-228783-0](#) [R125802000](#) [R125812001](#) [R141805000](#) [R141842000](#)  
[R141862000W](#) [R161853000W](#) [R161862000](#) [R161862000W](#) [R176811000](#) [R280752000](#) [R280907000](#) [R694261906](#) [RFI155-13-D4](#) [RFI21-13](#)  
[RFI25-9](#) [RFI3157-7](#) [RFI75-13-D2](#) [RFI75-3](#) [RFI75-4-D2](#) [RFI97-13](#) [IPP-2013](#) [2098-0294-00](#) [2098-3251-94](#) [RUBBER-CAP-BNC](#) [9-225381-](#)  
[0](#) [9-329099-2](#) [9-332224-1](#) [FERRULE-223](#) [202102-11](#) [213337-1](#) [220222-2](#) [24092671A](#) [24092678A](#) [R143805000](#) [R161841000W](#)  
[R280510000](#) [R282862060](#) [RFI155-1](#) [RFI25-12-D3](#) [RFI25-5](#) [RFI25-5-D3](#) [RFI75-12-D2](#) [RFI75-4-D10](#) [RFI75-4-D3](#)