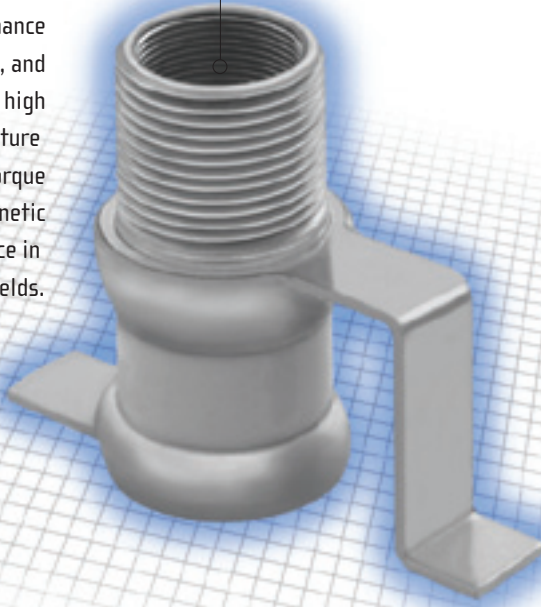


NON-MAGNETIC CAPACITORS

Non-magnetic Capacitors are specifically designed for low magnetic signature applications such as Magnetic Resonance Imaging, Nuclear Magnetic Resonance, and other medical applications. These high stability Non-magnetic Capacitors feature the one piece self locking constant torque mechanism along with special non-magnetic construction for superior performance in very high strength magnetic fields. Non-magnetic Capacitors are available in multi-turn and single turn styles and various configurations.



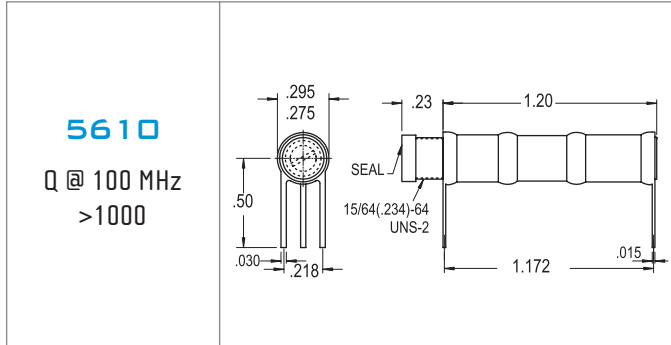
CHARACTERISTICS

- Working Voltage: From 250 VDC to 5000 VDC
- Long Rotational life
- Insulation Resistance: > 10⁶ MΩ
- Temperature range: -65°C to +125°C
- RoHS Compliant

| WORKING VOLTAGE | CAPACITANCE RANGE | SERIES | Q | PAGE |
|--|-------------------|-----------|--------------------|-----------|
| 5000 VDC | 1 TO 7.5 pF | 5610 | > 1000 @100MHz | 2 |
| 1250 VDC | 1.5 TO 10 pF | 52H | > 1400 @195MHz | 2 |
| 1000 VDC | 1.5 TO 19 pF | 55H | > 1000 @175MHz | 2 |
| | 1 TO 25 pF | 59H | > 1000 @175MHz | 2,3 |
| | 2 TO 30 pF | 56H | > 1000 @175MHz | 3 |
| 250 VDC | .4 TO 3.5 pF | 5860 | > 10000 @100MHz | 3 |
| | .6 TO 6.0 pF | 5760 | > 10000 @100MHz | 3,4 |
| | .8 TO 10 pF | 5240 | > 4000 @100MHz | 4 |
| | 1 TO 30 pF | 5640 | > 800 @100MHz | 4 |
| 250 VDC (90° TO 180° RESOLUTION) | UP TO 50 pF | THIN-TRIM | SEE DATASHEET | THIN-TRIM |
| | UP TO 22 pF | CERA-TRIM | SEE DATASHEET | CERA-TRIM |
| | UP TO 50 pF | SEAL-TRIM | SEE DATASHEET | SEAL-TRIM |

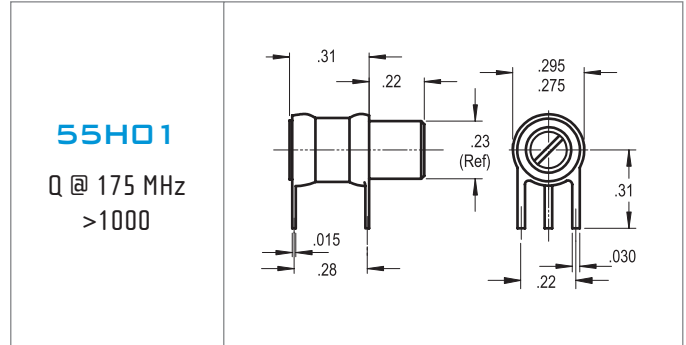
5000 VDC - 1 TO 7.5 pF

- Capacitance Range: 1 to 7.5 pF (>26 turns)
- Working Voltage: 5000 VDC (9000 VDC Test)
- Torque: 1 to 5.0 oz. In.
- Tuning Tool: 8764
- Gold, Silver, Chromate Finish
- RoHS Compliant



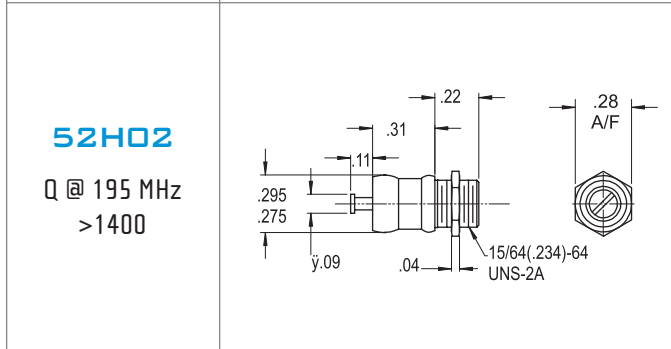
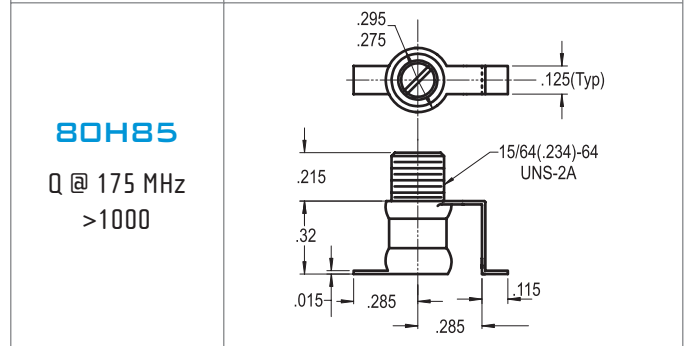
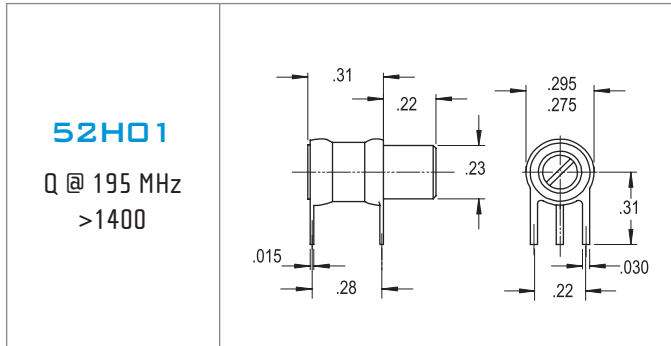
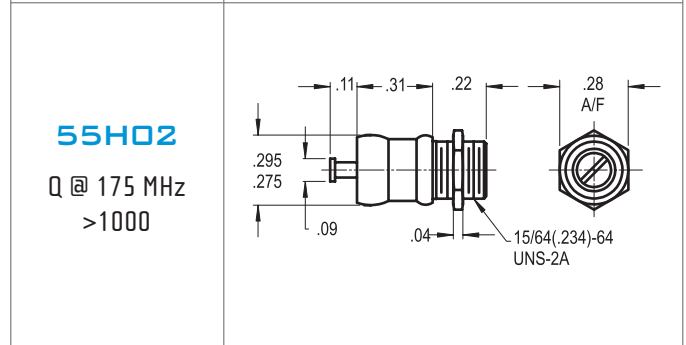
1000 VDC - 1 TO 19 pF

- Capacitance Range: 1.5 to 19 pF (>18 turns)
- Working Voltage: 1000 VDC (2000 VDC Test)
- Torque: 1 to 5.0 oz. In.
- Tuning Tool: 8764
- Gold, Silver, Chromate Finish
- RoHS Compliant



1250 VDC - 1 TO 10 pF

- Capacitance Range: 1.5 to 10 pF (>18 turns)
- Working Voltage: 1250 VDC (2500 VDC Test)
- Torque: 1 to 5.0 oz. In.
- Tuning Tool: 8764
- Gold, Silver, Chromate Finish
- RoHS Compliant



1000 VDC - 1 TO 25 pF

- Capacitance Range: 1 to 25 pF (>23 turns)
- Working Voltage: 1000 VDC (2000 VDC Test)
- Torque: 1 to 5.0 oz. In.
- Tuning Tool: 8764
- Gold, Silver, Chromate Finish
- RoHS Compliant

1000 VDC - 1 TO 25 pF

| | |
|---|--|
| <p>59H01</p> <p>Q @ 175 MHz >1000</p> | |
| <p>59H18</p> <p>Q @ 175 MHz >1000</p> | |

1000 VDC - 2 TO 30 pF

- Capacitance Range: 2 to 30 pF (>25 turns)
- Working Voltage: 1000 VDC (2000 VDC Test)
- Torque: 1 to 5.0 oz. In.
- Tuning Tool: 8764
- Gold, Silver, Chromate Finish
- RoHS Compliant

| | |
|---|--|
| <p>56H01</p> <p>Q @ 175 MHz >1000</p> | |
| <p>56H02</p> <p>Q @ 175 MHz >1000</p> | |

250 VDC - 0.4 TO 3.5 pF

- Capacitance Range: .4 to 3.5 pF (>9 turns)
- Working Voltage: 250 VDC (500 VDC Test)
- Torque: .3 to 3.0 oz. In.
- Tuning Tool: 8766
- Gold, Silver, Chromate Finish
- RoHS Compliant

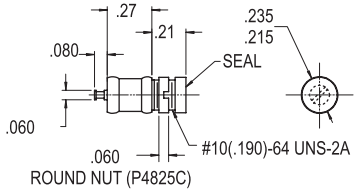
| | |
|---|--|
| <p>5862</p> <p>Q @ 100 MHz >10000</p> | |
|---|--|

250 VDC - 0.6 TO 6.0 pF

- Capacitance Range: .6 to 6 pF (>8 turns)
- Working Voltage: 250 VDC (500 VDC Test)
- Torque: .4 to 4.0 oz. In.
- Tuning Tool: 8764
- Gold, Silver, Chromate Finish
- RoHS Compliant

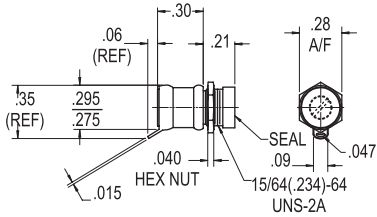
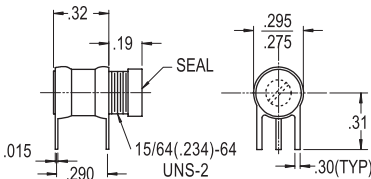
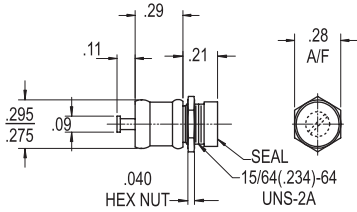
| | |
|---|--|
| <p>5760</p> <p>Q @ 100 MHz >10000</p> | |
| <p>5761</p> <p>Q @ 100 MHz >10000</p> | |

250 VDC - 0.6 TO 6 PF

| | |
|---|---|
| <p>5762</p> <p>Q @ 100 MHz >10000</p> |  |
|---|---|

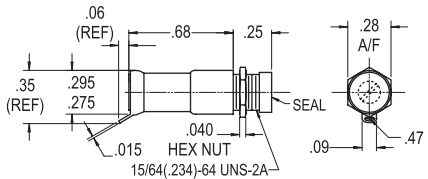
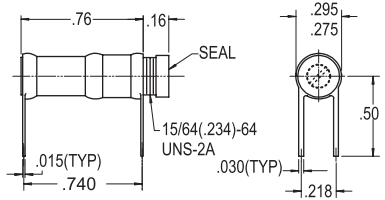
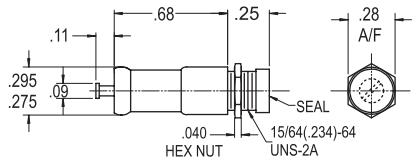
250 VDC - 0.8 TO 10 PF

- Capacitance Range: .8 to 10 pF (>6 turns)
- Working Voltage: 250 VDC (500 VDC Test)
- Torque: 1 to 5.0 oz. In.
- Tuning Tool: 8764
- Gold, Silver, Chromate Finish
- RoHS Compliant

| | |
|--|---|
| <p>5240</p> <p>Q @ 100 MHz >4000</p> |  |
| <p>5241</p> <p>Q @ 100 MHz >4000</p> |  |
| <p>5242</p> <p>Q @ 100 MHz >4000</p> |  |

250 VDC - 1 TO 30 PF

- Capacitance Range: 1 to 30 pF (>23 turns)
- Working Voltage: 250 VDC (500 VDC Test)
- Torque: 1 to 5.0 oz. In.
- Tuning Tool: 8764
- Gold, Silver, Chromate Finish
- RoHS Compliant

| | |
|---|---|
| <p>5640</p> <p>Q @ 100 MHz >800</p> |  |
| <p>5641</p> <p>Q @ 100 MHz >800</p> |  |
| <p>5642</p> <p>Q @ 100 MHz >800</p> |  |

X-ON Electronics

Largest Supplier of Electrical and Electronic Components

Click to view similar products for [johanson](#) manufacturer:

Other Similar products are found below :

[502R29W331KF3E--SC](#) [L603DC](#) [502R30W681KF3E--SC](#) [502R29W331KF3E-****-SC](#) [251R14S100FV4T](#) [RWCSG4Q006R0FS](#)
[RWCSG3U040R0FS](#) [RMCJ2U00R03FS](#) [RHXH1N001R0F4](#) [5500L/C402D](#) [6R3S43X107MV4E](#) [S-500](#) [L/C-402DS](#) [L/C-603DS](#) [S-SY2](#)
[RWCSG4U020R0FS](#) [S-X2Y-MTR](#) [S-X15-EMI](#) [2450AT45A100E](#) [6R3R14X475MV4T](#) [9702-2](#) [S805TS](#) [S805DS](#) [S-2KV](#) [102R18N471JV4E](#)
[RWCSG4Q002R0FS](#) [S-X2Y-AEC](#) [0868AT43A0020-EB1SMA](#) [2450L/C603D](#) [S201TL](#) [S-X14-PBP](#) [S-X07CBK](#) [L/C-805DS](#)
[2450BP39C100CE](#) [S-1KV](#) [S111TVE](#) [RWCSG4Q00R25FS](#) [87043-27](#) [2450FB15L0001E](#) [S111TUE](#) [S111DVE](#) [S-PLY-2](#) [S-0805](#)
[RWCSG1U020K0FS](#) [RMCJ3U0R005FS](#) [1200BP44A575E](#) [L201DC](#) [L603W](#) [RMCJ2U0R015FS](#) [L402W](#)