

GaAs pHEMT LOW NOISE AMPLIFIER 0.3 - 3.0 GHz



Typical Applications

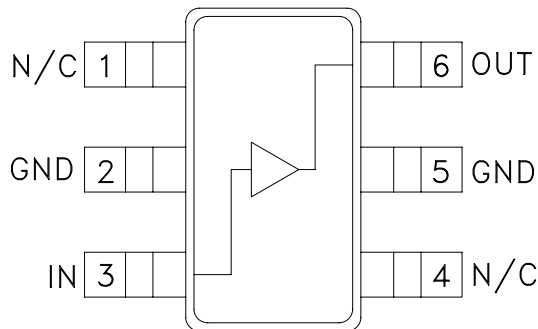
The HMC374SC70E is ideal for:

- Cellular/PCS/3G
- WCS, MMDS & ISM
- Fixed Wireless & WLAN
- Private Land Mobile Radio

Features

- Single Supply: $V_{dd} = +3.0$ to $+3.6V$
- Broadband Performance
- Low Noise Figure: 1.6 dB
- High Output IP3: +35 dBm
- High Gain: 15 dB @ 0.6 GHz

Functional Diagram



General Description

The HMC374SC70E is a general purpose broadband Low Noise Amplifier (LNA) for use in the 0.3 - 3 GHz frequency range. The LNA provides 15 dB of gain and a 1.6 dB noise figure from a single positive supply of +3.0 to +3.6V. The low noise figure coupled with a high P1dB (17 dBm) and high OIP3 (35 dBm) make this part ideal for cellular applications. The compact LNA is designed for repeatable gain and noise figure performance. To minimize board area the design is offered in a low cost SC70E package that occupies only 0.089" x 0.053".

Electrical Specifications, $V_{dd} = +3.3V$

| Parameter | Min. [2] | Typ. [1] | Max. [2] | Min. [2] | Typ. [1] | Max. [2] | Min. [2] | Typ. [1] | Max. [2] | Units |
|---|----------|----------|----------|----------|----------|----------|----------|----------|----------|-------|
| Frequency | | 0.6 | | | 1.0 | | | 3.0 | | GHz |
| Gain | 14 | 15 | | 13 | 14.5 | | 6 | 8.5 | | dB |
| Gain Variation Over Temperature (-40°C to +25°C) | | 0.005 | | | 0.008 | | | 0.012 | | dB/°C |
| Gain Variation Over Temperature (+25 °C to +85 °C) | | 0.004 | | | 0.005 | | | 0.008 | | |
| Noise Figure | | 2 | 2.6 | | 1.6 | 2.3 | | 1.8 | 2.2 | dB |
| Input Return Loss | 4.5 | 5.5 | | 6 | 7.5 | | 8 | 9 | | |
| Output Return Loss | 5.5 | 7.5 | | 8 | 10 | | 13 | 15 | | |
| Output 1 dB Compression (P1dB) | 15.5 | 16.5 | | 16 | 17 | | 16.5 | 18 | | dBm |
| Saturated Output Power (Psat) | 17.5 | 18.5 | | 17.5 | 18.5 | | 18 | 19 | | |
| Output Third Order Intercept (OIP3) | | 34 | | | 33.5 | | | 36 | | |
| Supply Current (I _{dd}) (V _{dd} = +3.3V) | | 75 | | | 75 | | | 75 | | mA |
| Supply Voltage (V _{dd}) | 3.0 | 3.3 | 3.6 | 3.0 | 3.3 | 3.6 | 3.0 | 3.3 | 3.6 | V |

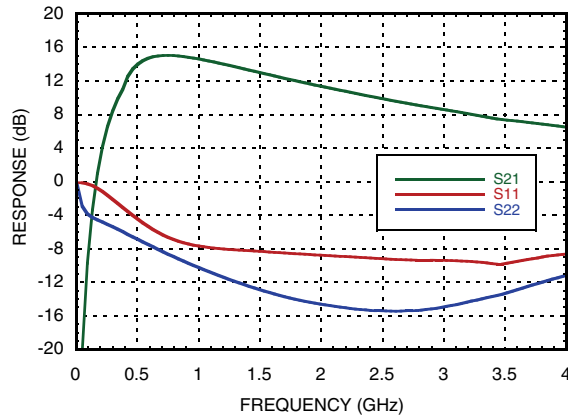
[1] Typical values are determined at $T_A = +25^\circ C$

[2] Minimum and maximum values are determined from $T_A = -40^\circ C$ to $T_A = +85^\circ C$

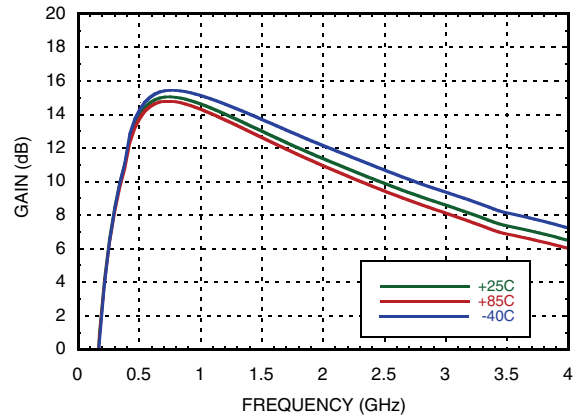


**GaAs pHEMT LOW NOISE AMPLIFIER
0.3 - 3.0 GHz**

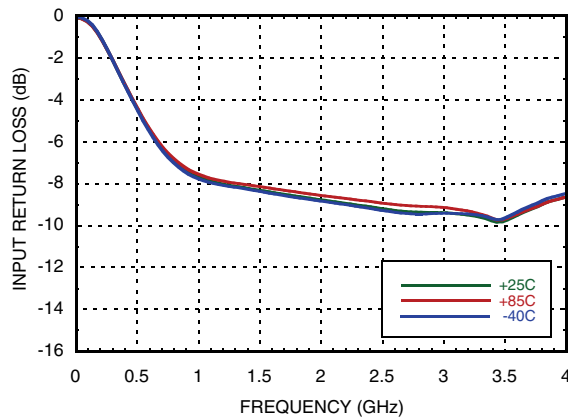
Broadband Gain & Return Loss



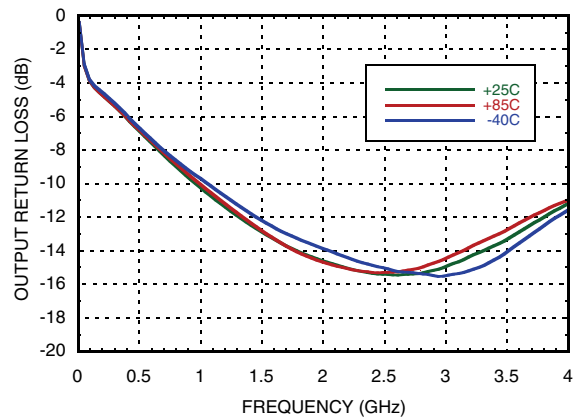
Gain vs. Temperature



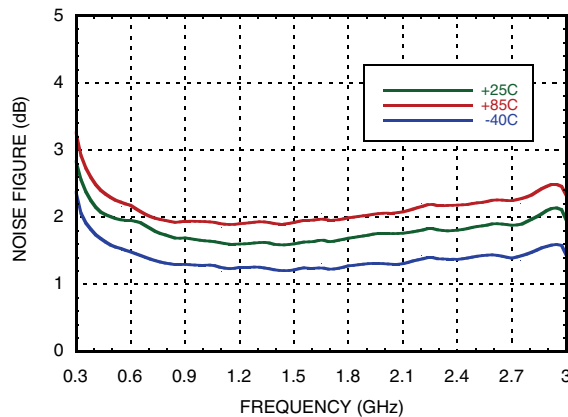
Input Return Loss vs. Temperature



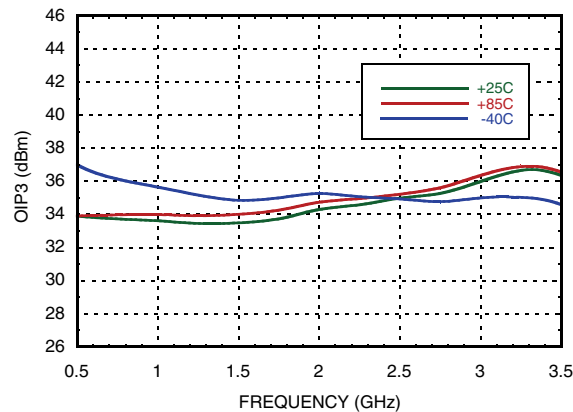
Output Return Loss vs. Temperature



Noise Figure vs. Temperature



Output IP3 vs. Temperature [1]

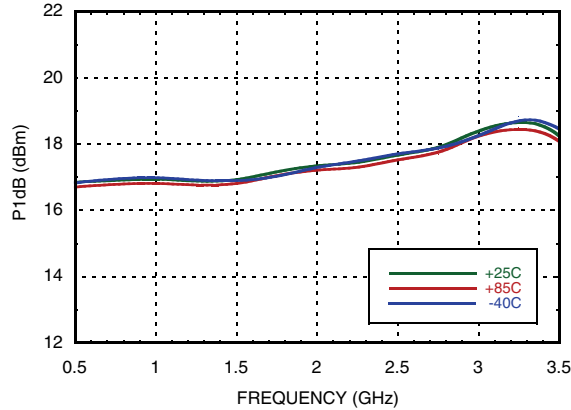


[1] OIP3 measurements were taken for Pout = 0 dBm

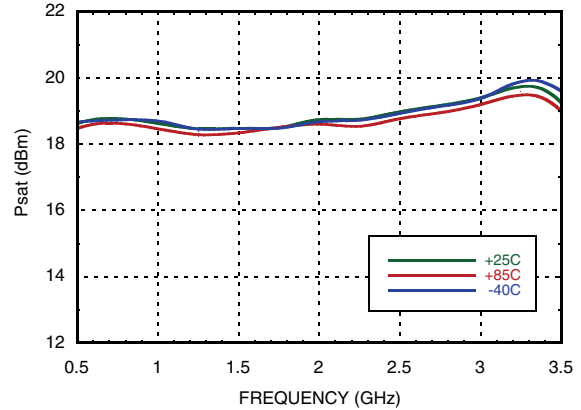
GaAs pHEMT LOW NOISE AMPLIFIER
0.3 - 3.0 GHz



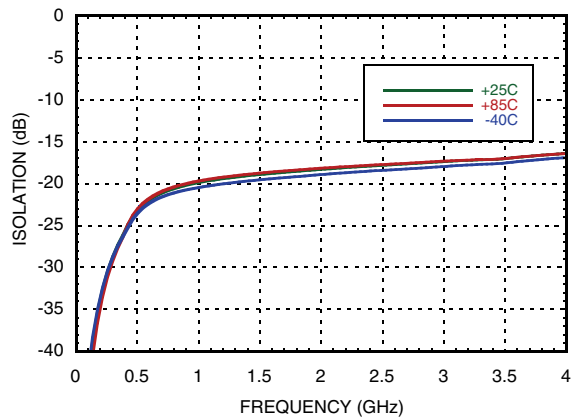
Output P1dB vs. Temperature



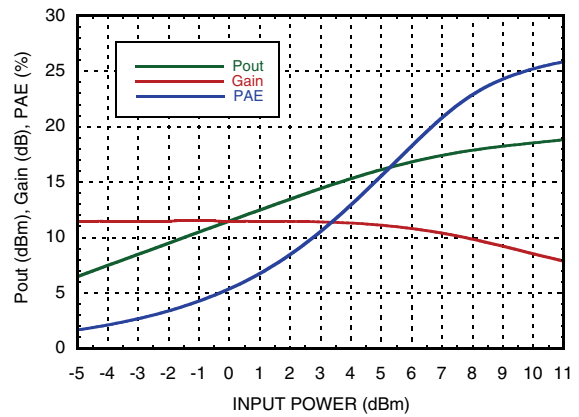
Output Psat vs. Temperature



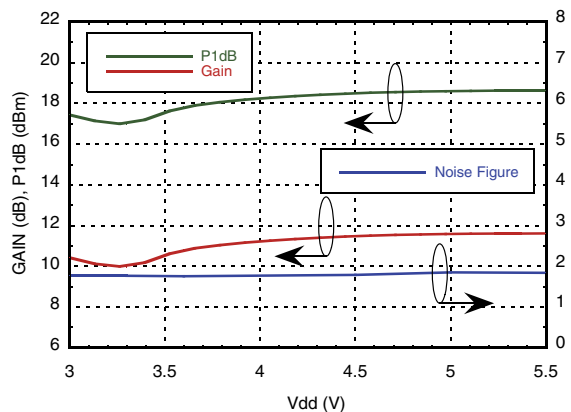
Reverse Isolation vs. Temperature



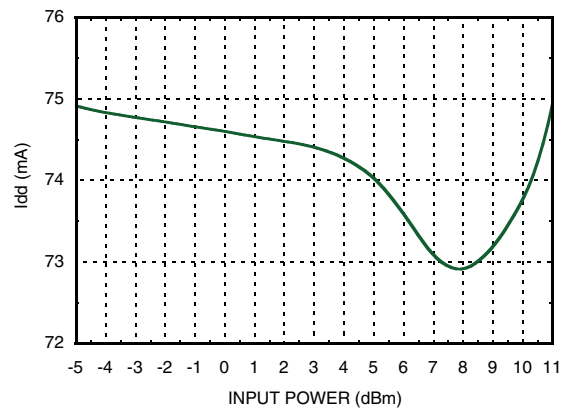
Pout, Gain & PAE @ 2 GHz



Gain, Noise Figure & P1dB vs. Supply Voltage @ 2 GHz



Supply Current vs. Input Power @ 2 GHz



Information furnished by Analog Devices is believed to be accurate and reliable. However, no responsibility is assumed by Analog Devices for its use, nor for any infringements of patents or other rights of third parties that may result from its use. Specifications subject to change without notice. No license is granted by implication or otherwise under any patent or patent rights of Analog Devices. Trademarks and registered trademarks are the property of their respective owners.

For price, delivery, and to place orders: Analog Devices, Inc., One Technology Way, P.O. Box 9106, Norwood, MA 02062-9106 Phone: 781-329-4700 • Order online at www.analog.com Application Support: Phone: 1-800-ANALOG-D



GaAs pHEMT LOW NOISE AMPLIFIER 0.3 - 3.0 GHz

Absolute Maximum Ratings

| | |
|---|----------------|
| Drain Bias Voltage (Vdd) | +7.0 Vdc |
| RF Input Power (RFIN)(Vdd = +5.0 Vdc) | 15 dBm |
| Channel Temperature | 150 °C |
| Continuous P _{diss} (T = 85 °C) (derate 4.88 mW/°C above 85 °C) | 0.32 W |
| Thermal Resistance (channel to lead) | 205 °C/W |
| Storage Temperature | -65 to +150 °C |
| Operating Temperature | -40 to +85 °C |
| ESD Sensitivity (HBM) | Class 0 |

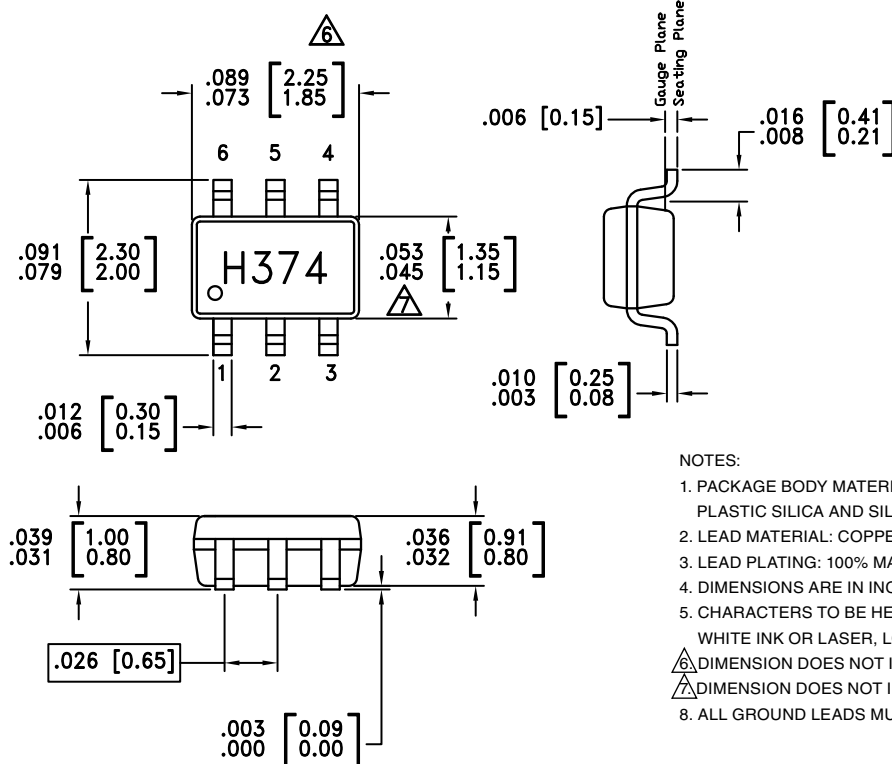
Typical Supply Current vs. Vdd

| Vdd (V) | I _{dd} (mA) |
|---------|----------------------|
| 3 | 75 |
| 3.3 | 75 |
| 3.6 | 75 |



ELECTROSTATIC SENSITIVE DEVICE
OBSERVE HANDLING PRECAUTIONS

Outline Drawing



NOTES:

- PACKAGE BODY MATERIAL: LOW STRESS INJECTION MOLDED PLASTIC SILICA AND SILICON IMPREGNATED.
- LEAD MATERIAL: COPPER ALLOY
- LEAD PLATING: 100% MATTE TIN.
- DIMENSIONS ARE IN INCHES [MILLIMETERS]
- CHARACTERS TO BE HELVETICA MEDIUM, .015 HIGH, WHITE INK OR LASER, LOCATED APPROXIMATELY AS SHOWN.
- DIMENSION DOES NOT INCLUDE MOLDFLASH OF 0.15mm PER SIDE.
- DIMENSION DOES NOT INCLUDE MOLDFLASH OF 0.25mm PER SIDE.
- ALL GROUND LEADS MUST BE SOLDERED TO PCB RF GROUND.

Package Information

| Part Number | Package Body Material | Lead Finish | MSL Rating | Package Marking ^[3] |
|-------------|--|---------------|---------------------|--------------------------------|
| HMC374SC70E | RoHS-compliant Low Stress Injection Molded Plastic | 100% matte Sn | MSL1 ^[2] | H374E XXXX |

[1] Max peak reflow temperature of 235 °C

[2] Max peak reflow temperature of 260 °C

[3] 4-Digit lot number XXXX

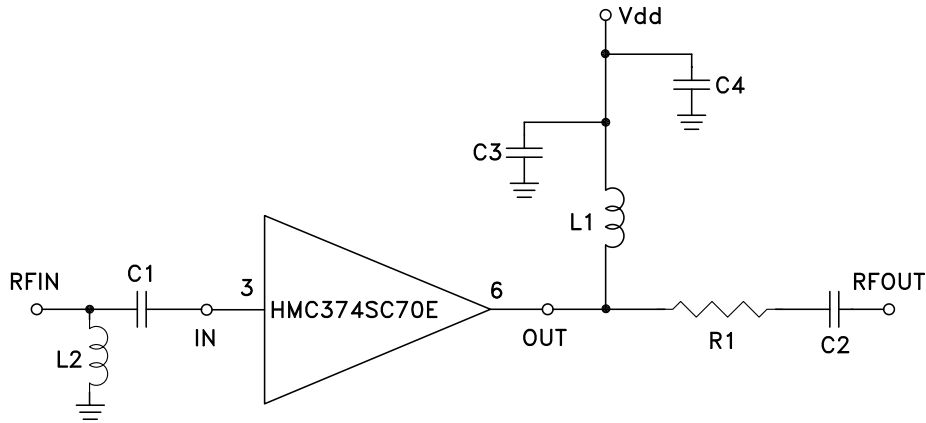


**GaAs pHEMT LOW NOISE AMPLIFIER
0.3 - 3.0 GHz**

Pin Descriptions

| Pin Number | Function | Description | Interface Schematic |
|------------|----------|--|---------------------|
| 1,4 | N/C | These pins may be connected to RF/DC ground. Performance will not be affected. | |
| 2, 5 | GND | These pins must be connected to RF/DC ground. | |
| 3 | IN | RF input pin is DC coupled. An off-chip DC blocking capacitor is required. | |
| 6 | OUT | RF output and DC Bias for the output stage. See application circuit for off-chip components. | |

Application Circuit



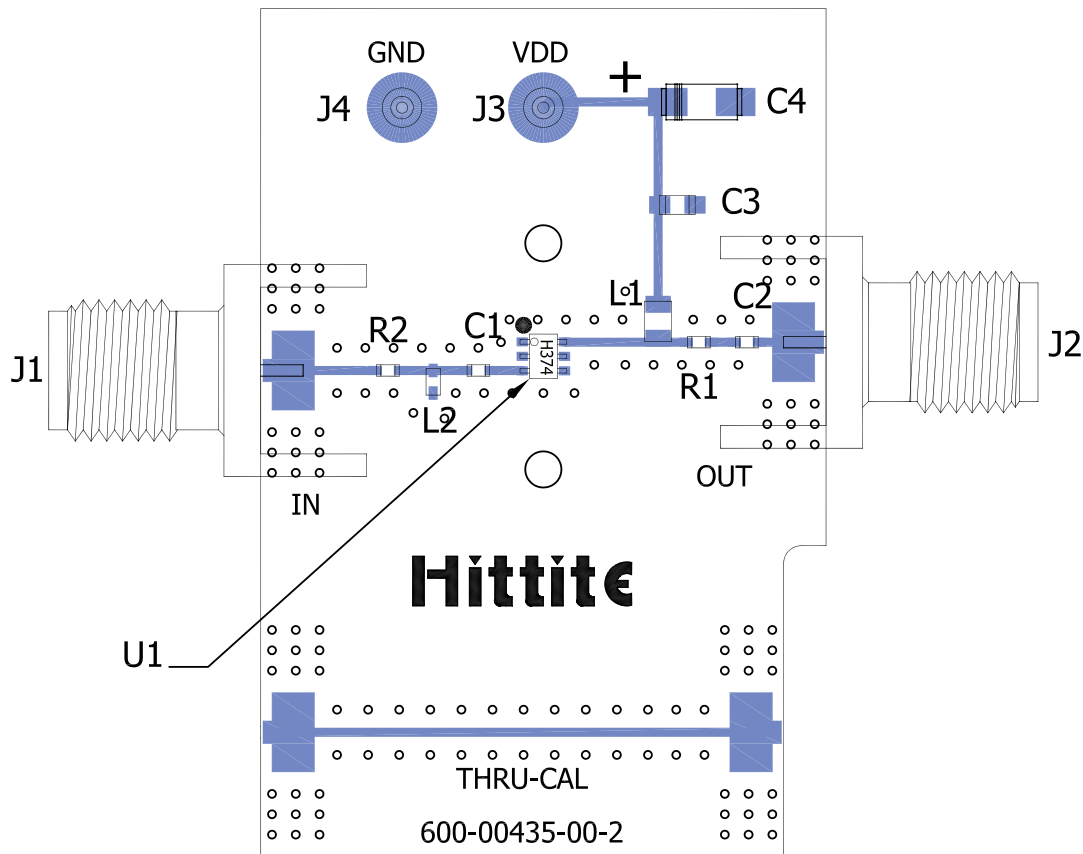
Information furnished by Analog Devices is believed to be accurate and reliable. However, no responsibility is assumed by Analog Devices for its use, nor for any infringements of patents or other rights of third parties that may result from its use. Specifications subject to change without notice. No license is granted by implication or otherwise under any patent or patent rights of Analog Devices. Trademarks and registered trademarks are the property of their respective owners.

For price, delivery, and to place orders: Analog Devices, Inc., One Technology Way, P.O. Box 9106, Norwood, MA 02062-9106 Phone: 781-329-4700 • Order online at www.analog.com Application Support: Phone: 1-800-ANALOG-D



**GaAs pHEMT LOW NOISE AMPLIFIER
0.3 - 3.0 GHz**

Evaluation PCB



List of Materials for EVAL01-HMC374SC70E [1]

| Item | Description |
|---------|-----------------------------|
| J1, J2 | PCB Mount SMA Connector |
| J3, J4 | DC Pin |
| C1 | 27 pF Capacitor, 0402 Pkg. |
| C2 | 150 pF Capacitor, 0402 Pkg. |
| C3 | 10 nF Capacitor, 0603 Pkg. |
| C4 | 4.7 Capacitor, Tantalum |
| L1 | 27 nH Inductor, 0603 Pkg. |
| L2 | 22 nH Inductor, 0402 Pkg. |
| R1 | 10 Ohms Resistor, 0402 Pkg. |
| R2 | 0 Ohm Resistor, 0402 Pkg. |
| U1 | HMC374SC70E Amplifier |
| PCB [2] | 600-00435-00 Evaluation PCB |

[1] Reference this number when ordering complete evaluation PCB

[2] Circuit Board Material: Roger 4350

The circuit board used in the application should use RF circuit design techniques. Signal lines should have 50 Ohm impedance while the package ground leads should be connected directly to the ground plane similar to that shown above. A sufficient number of via holes should be used to connect the top and bottom ground planes. The evaluation circuit board shown is available from Hittite upon request.

X-ON Electronics

Largest Supplier of Electrical and Electronic Components

Click to view similar products for [RF Amplifier](#) category:

Click to view products by [Analog Devices](#) manufacturer:

Other Similar products are found below :

[ADPA7006AEHZ](#) [CXE2089ZSR](#) [MGA-43828-BLKG](#) [A82-1](#) [RF2878TR7](#) [BGA 728L7 E6327](#) [BGB719N7ESDE6327XTMA1](#) [HMC1126-SX](#) [HMC342](#) [HMC561-SX](#) [HMC598-SX](#) [HMC-ALH382-SX](#) [HMC-ALH476-SX](#) [SE2433T-R](#) [SE2622L-R](#) [SMA3101-TL-E](#) [SMA39](#) [SMA70-1](#) [A66-1](#) [A66-3](#) [A67-1](#) [LX5535LQ](#) [LX5540LL](#) [RF2373TR7](#) [HMC3653LP3BETR](#) [HMC395](#) [HMC549MS8GETR](#) [HMC576-SX](#) [HMC754S8GETR](#) [HMC-ALH435-SX](#) [SMA101](#) [SMA1031](#) [SMA181](#) [SMA32](#) [SMA411](#) [SMA531](#) [SST12LP17E-XX8E](#) [SST12LP19E-QX6E](#) [TGA2598](#) [WPM0510A](#) [HMC5929LS6TR](#) [HMC5879LS7TR](#) [HMC906A-SX](#) [HMC1127](#) [HMC544A](#) [HMC1126](#) [HMC1110-SX](#) [HMC1087F10](#) [HMC1086](#) [HMC1016](#)