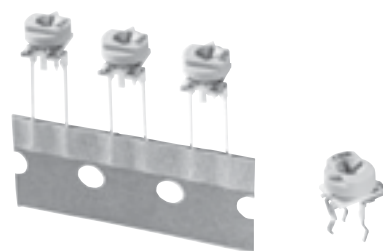


## 6 mm Square Dustproof Ceramic Trimmer Potentiometers (Cermet, Radial Taping)

Type: **EVMAAS/EVMAES (Radial Taping)**  
**EVMAAG/EVMAEG/EVMAHG/EVMAJG/EVMASG (Bulk)**



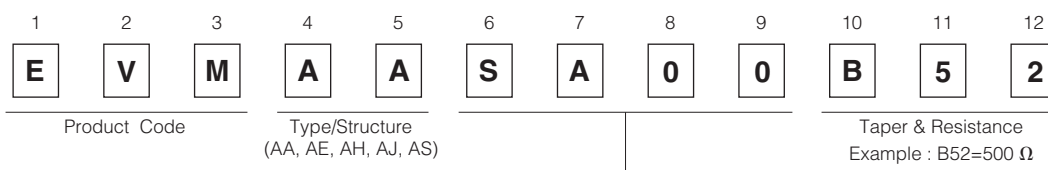
### Features

- High reliability due to cermet element
- Excellent automatic insertion due to strong lead terminals
- Available for automatic adjustment due to slot & taper shape suitable for screwdriver
- Dustproof type with electrically activated wiper enclosed in an insulated rotor cap
- Conforms to JIS C5260-1:1999
- RoHS compliant

### Recommended Applications

- Audio/visual, office, and communication equipment
- General electronic equipment

### Explanation of Part Numbers



Symbol	Packaging
SA00	Radial taping height 20 mm
SA01	Radial taping height 21 mm
GA00	Bulk Standard

### Specifications

	EVMAA□/EVMAHG/EVMAJG/EVMASG	EVMAE□ (Low Resistor Value)
Total Resistance Value	100 Ω to 1 MΩ	10 Ω to 500 Ω
Resistance Tolerance	±25 %	
Power Rating	0.3 W	0.5 W
Limiting Element Voltage	100 V	$\sqrt{P \cdot R}$
Rotation Torque	2 to 30 mN·m	
Stopper Strength	50 mN·m min.	
Temperature Coefficient of Resistance	$\pm 200 \times 10^{-6}/^{\circ}\text{C}$	<ul style="list-style-type: none"> <li>· <math>10 \Omega \leq R \leq 20 \Omega</math> ..... <math>\pm 200 \times 10^{-6}/^{\circ}\text{C}</math></li> <li>· <math>20 \Omega &lt; R \leq 200 \Omega</math> ..... <math>\pm 150 \times 10^{-6}/^{\circ}\text{C}</math></li> <li>· <math>200 \Omega &lt; R \leq 500 \Omega</math> ..... <math>\pm 100 \times 10^{-6}/^{\circ}\text{C}</math></li> </ul>

### Minimum Quantity/Packing Unit

Part Number	Radial taping		Bulk	
	Quantity per Box	Packaging quantity	Quantity per pack	Packaging quantity
EVMAAS EVMAES	1,000	10,000	—	—
EVMAAG EVMAHG EVMAJG EVMASG	—	—	200	2,000
EVMAEG	—	—	600	3,000

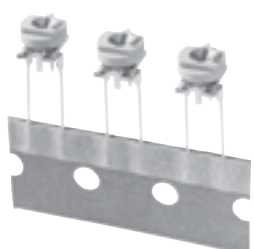
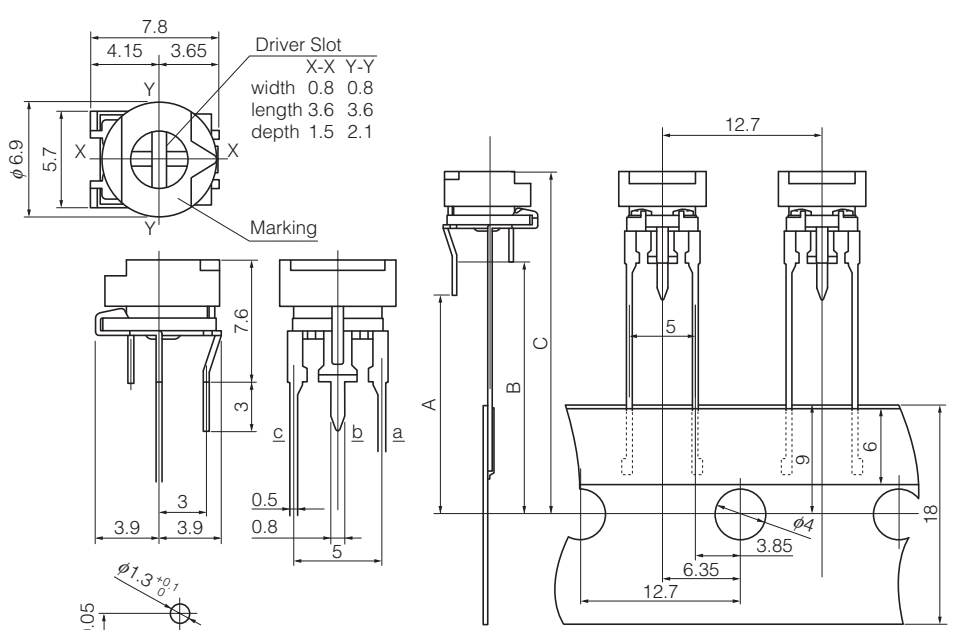
Design and specifications are each subject to change without notice. Ask factory for the current technical specifications before purchase and/or use.  
 Should a safety concern arise regarding this product, please be sure to contact us immediately.

## Dimensions in mm (not to scale)

- Radial taping

- 3-terminal, Top-adjust, Cross Slots ..... EVMAAS/EVMAES

**No. 1**

Driver Slot  
X-X Y-Y  
width 0.8 0.8  
length 3.6 3.6  
depth 1.5 2.1

Marking

(Recommended PWB Piercing Plan)

(Circuit diagram)


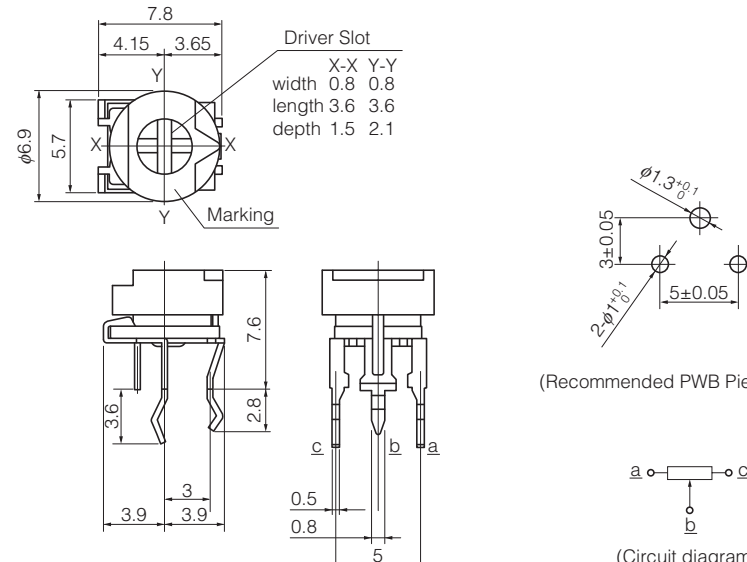
	A	B	C
A00	17	20	27.6
A01	18	21	28.6

Mass (Weight) : 420 mg/pc.

- Bulk

- 3-terminal, Top-adjust, Cross Slots ..... EVMAAG/EVMAEG

**No. 2**

Driver Slot  
X-X Y-Y  
width 0.8 0.8  
length 3.6 3.6  
depth 1.5 2.1

Marking

(Recommended PWB Piercing Plan)

(Circuit diagram)


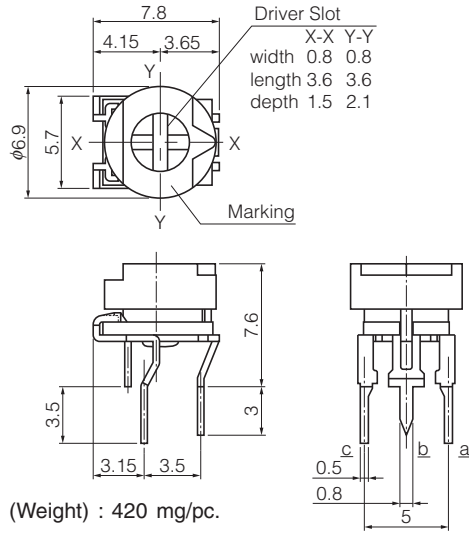
Mass (Weight) : 420 mg/pc.

## Dimensions in mm (not to scale)

- Bulk

- 3-terminal, Top-adjust, Cross Slots ..... EVMAHG

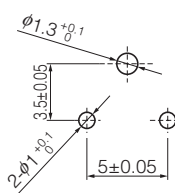
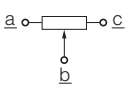
**No. 3**

Driver Slot  
X-X Y-Y  
width 0.8 0.8  
length 3.6 3.6  
depth 1.5 2.1

Marking

(Recommended PWB Piercing Plan)


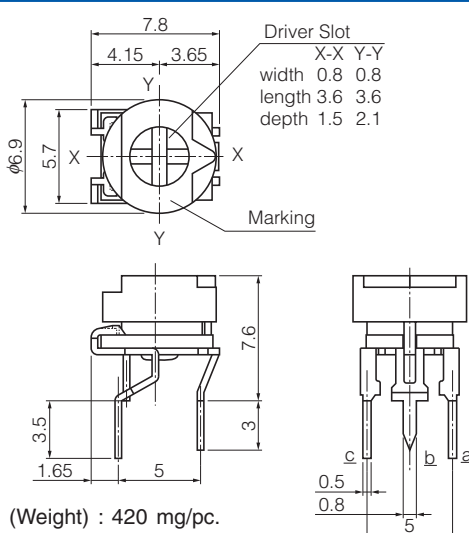



(Circuit diagram)

Mass (Weight) : 420 mg/pc.

- 3-terminal, Top-adjust, Cross Slots ..... EVMAJG

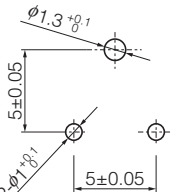
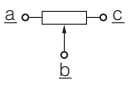
**No. 4**

Driver Slot  
X-X Y-Y  
width 0.8 0.8  
length 3.6 3.6  
depth 1.5 2.1

Marking

(Recommended PWB Piercing Plan)


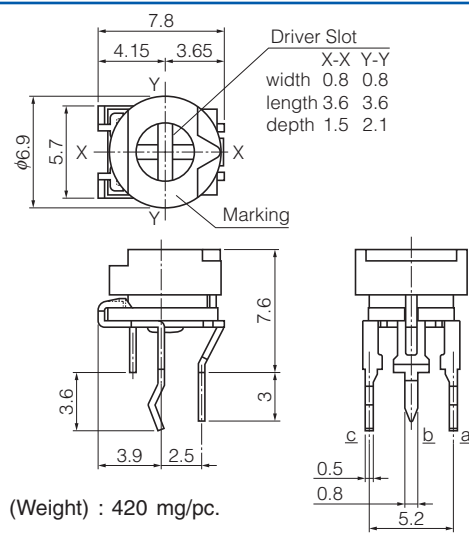



(Circuit diagram)

Mass (Weight) : 420 mg/pc.

- 3-terminal, Top-adjust, Cross Slots ..... EVMASG

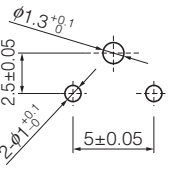
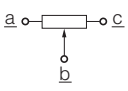
**No. 5**

Driver Slot  
X-X Y-Y  
width 0.8 0.8  
length 3.6 3.6  
depth 1.5 2.1

Marking

(Recommended PWB Piercing Plan)

(Circuit diagram)

Mass (Weight) : 420 mg/pc.

## X-ON Electronics

Largest Supplier of Electrical and Electronic Components

*Click to view similar products for [Trimmer Resistors - Through Hole](#) category:*

*Click to view products by [Panasonic](#) manufacturer:*

Other Similar products are found below :

[56PR250K](#) [M63M102KB30T607](#) [M63M103KB40](#) [M63M501KB40](#) [M63P102KB30T607](#) [M63P105KB30T607](#) [M63P202KB40](#)  
[M63P203KB30T607](#) [M63P203KB40](#) [M63P205KB30T607](#) [M63P501KB40](#) [M63P502KB40](#) [M63S102KB40](#) [M63S103KB40](#) [M63X101KB40](#)  
[M63X103KB40](#) [M63X104KB40](#) [M63X501KB40](#) [M63X503KB40](#) [M70Y102KB25](#) [76PR500K](#) [79PR5K](#) [P8PY103KB25](#) [CT6P-103](#)  
[M63M102KB40](#) [M63M104KB40](#) [M63M502KB40](#) [M63P102KB40](#) [M63P103KB30T640](#) [M63P103KB40](#) [M63P104KB30T607](#)  
[M63P104KB40](#) [M63P204KB40](#) [M63P504KB40](#) [M63S203KB40](#) [M63S502KB40](#) [M63X105KB40](#) [M63X502KB40](#) [M70Y203KB25](#)  
[M70Y502KB25](#) [T9YA472KT20](#) [404806505008](#) [388N-100](#) [409HA102M](#) [4270W105K](#) [56PR2MEG](#) [82PR2KLFTB](#) [416MA504P](#) [SK 104](#)  
[25,4 STC TO 220](#) [9702-2SL-1](#)