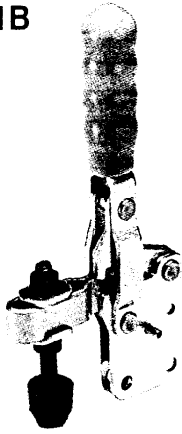
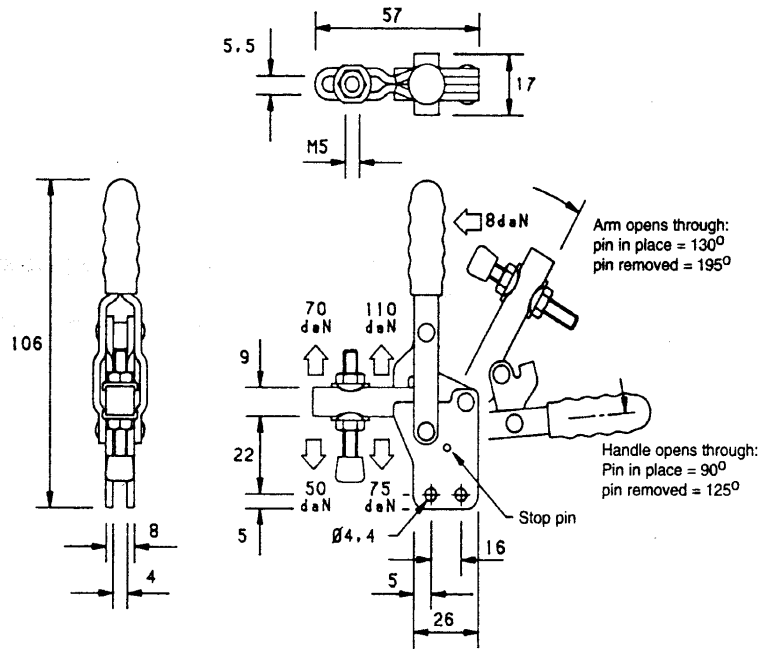


# V75 SERIES VERTICAL CLAMPS

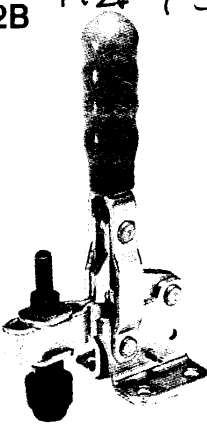
## MODEL V75/1B



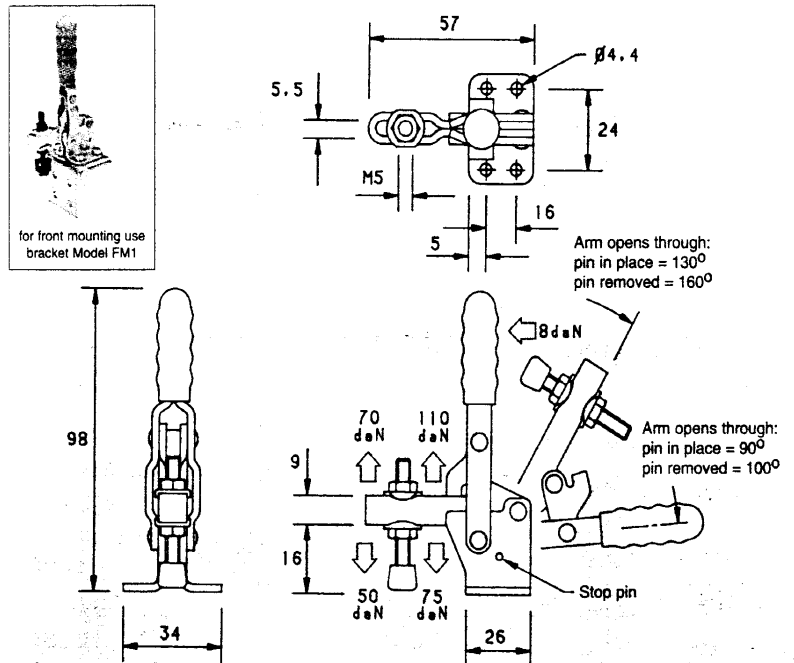
**Arm:** The spindle position is adjustable along the arm.  
**Base:** Straight.  
**Nominal Holding Force:** 75 daN  
**Weight:** 0.05 Kg  
**Supplied complete with:** MB0535 Setscrew & nuts.  
 NC/05 Neoprene cover.  
 FW05/10 Flanged washers.  
 See "Accessories" for other items.



## MODEL V75/2B

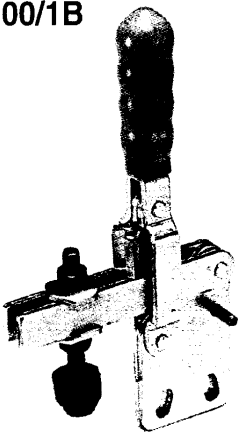


**Arm:** The spindle position is adjustable along the arm.  
**Base:** Flanged.  
**Nominal Holding Force:** 75 daN  
**Weight:** 0.05 Kg  
**Supplied complete with:** MB0535 Setscrew & nuts.  
 NC/05 Neoprene cover.  
 FW05/10 Flanged washers.  
 See "Accessories" for other items.

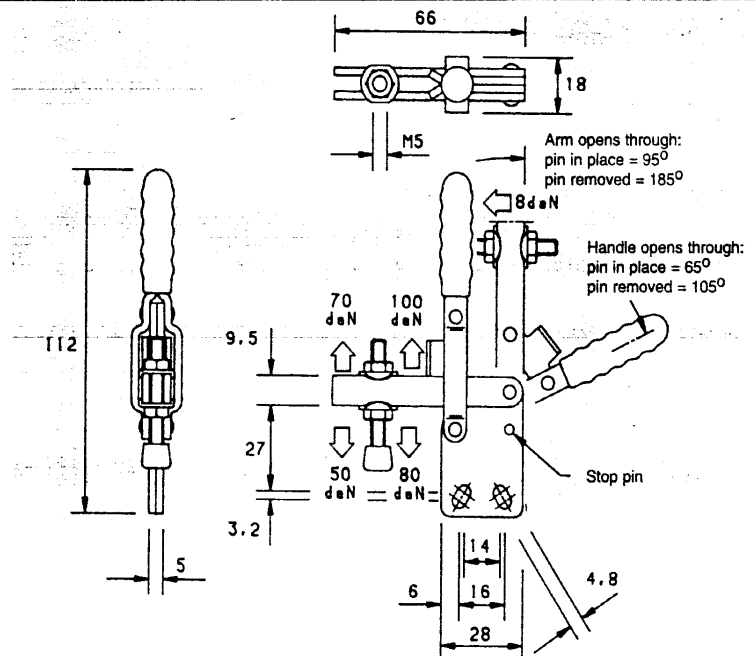


# V100 SERIES VERTICAL CLAMPS

## MODEL V100/1B



**Arm:** The spindle position is adjustable along the arm.  
**Base:** Straight.  
**Nominal Holding Force:** 100 daN  
**Weight:** 1.10 Kg  
**Supplied complete with:** MB0535 Setscrew & nuts.  
 NC/05 Neoprene cover.  
 FW05/10 Flanged washers.  
 See "Accessories" for other items.



## **X-ON Electronics**

Largest Supplier of Electrical and Electronic Components

*Click to view similar products for [hmc brauer](#) manufacturer:*

Other Similar products are found below :

[P2500L](#) [V150/2B](#) [P50](#) [V250/2B](#)