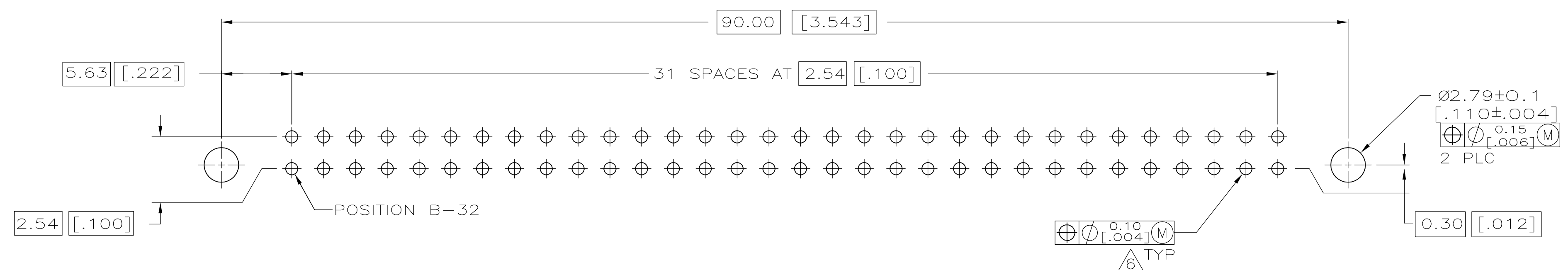
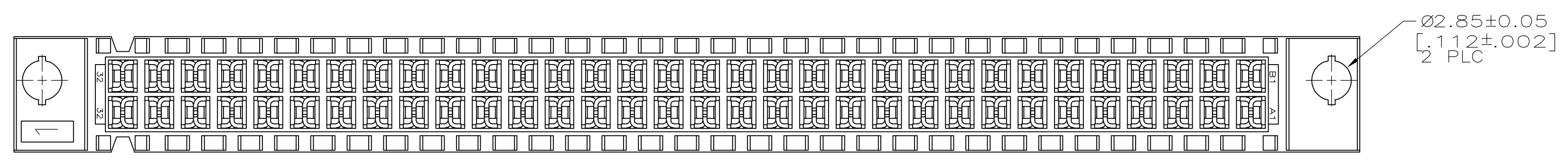
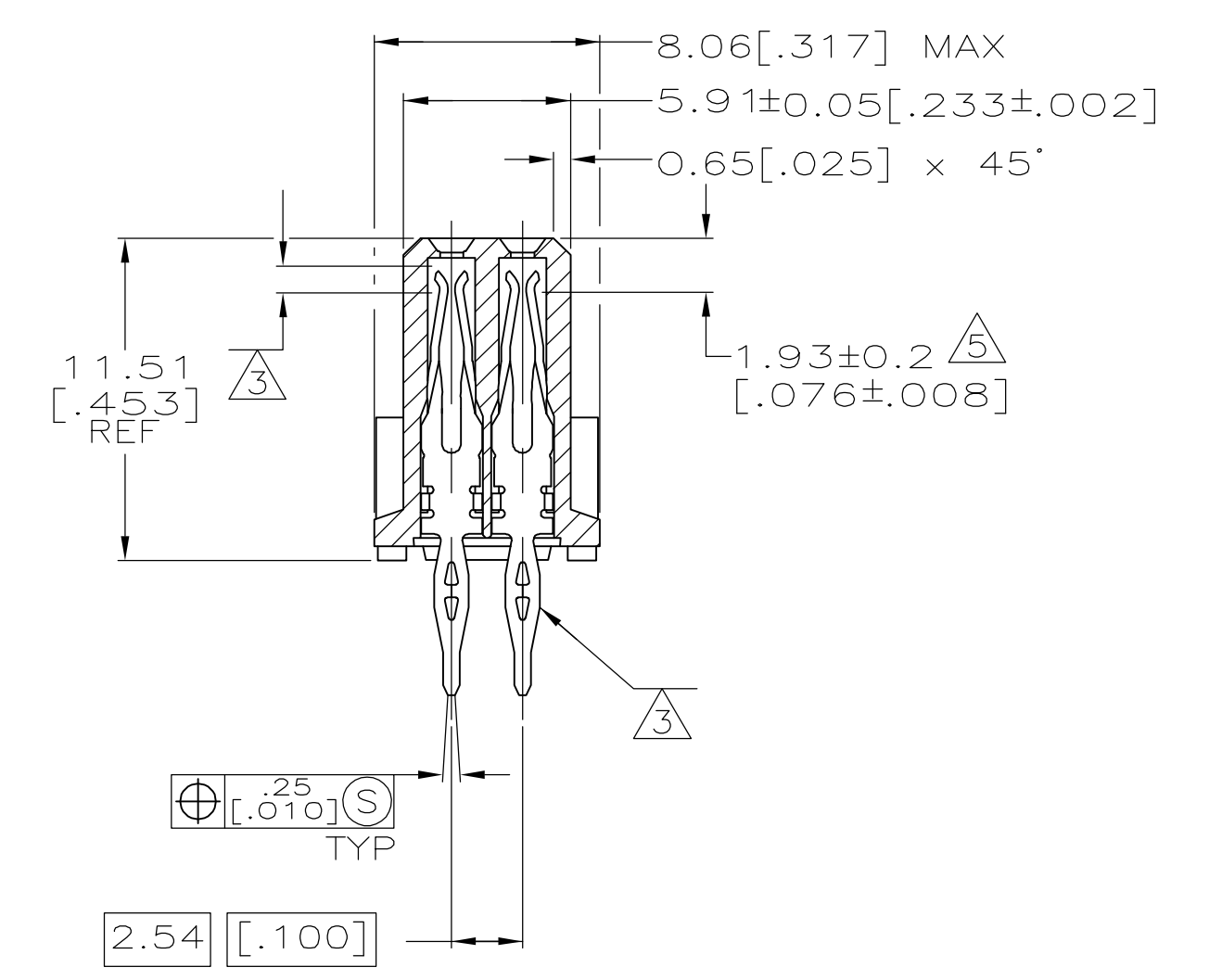
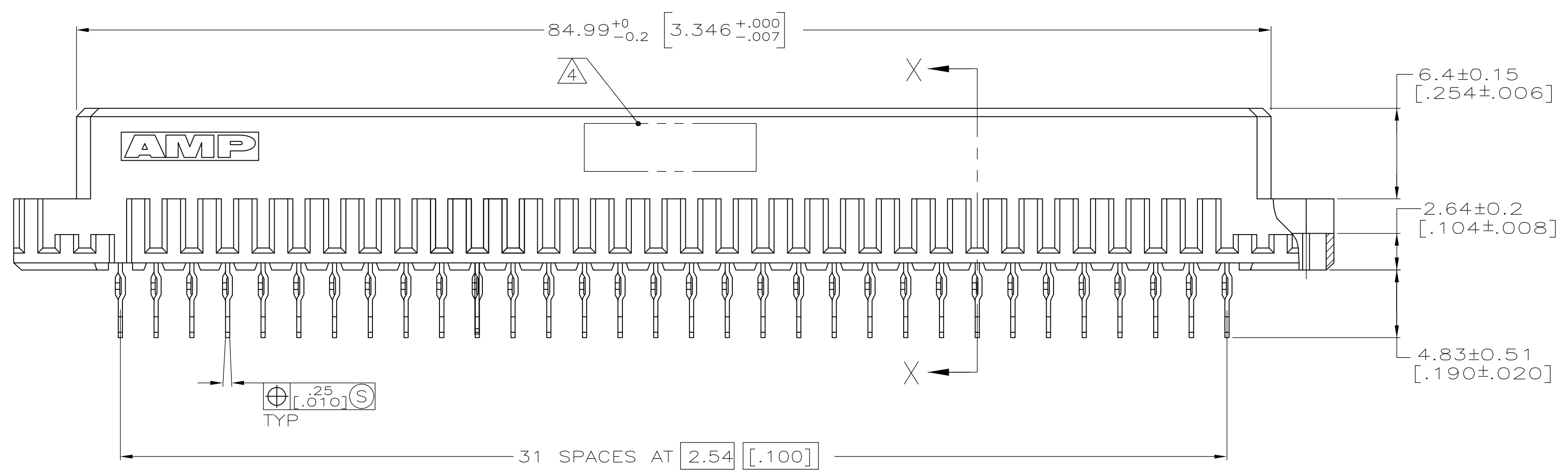
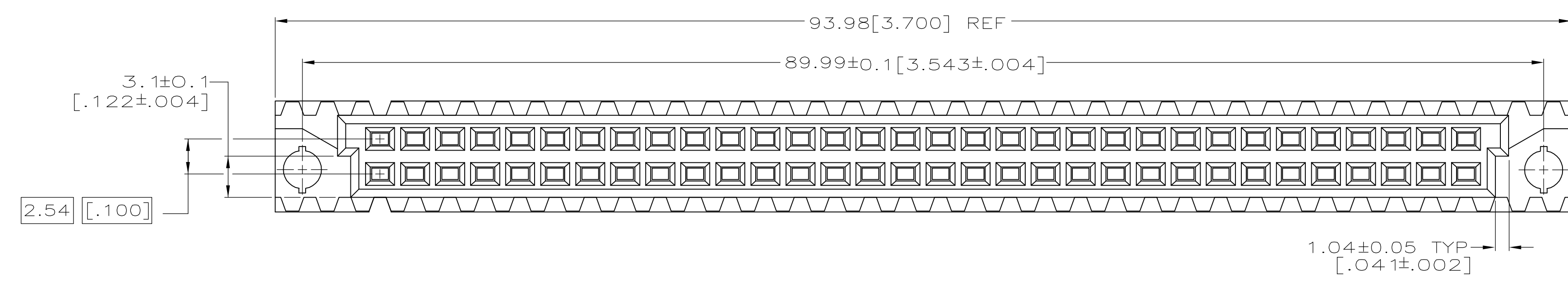


| LOC | | DIST | | REVISIONS | | | |
|-----|------|-----------------------------|---------|-----------|------|--|--|
| REV | DATE | DESCRIPTION | DATE | BY | APPV | | |
| 0 | | RELEASE PER EC 0512-0082-05 | 03JUN05 | JDP | AMS | | |

- 1 HOUSING MATERIAL: GLASS-FILLED POLYMER.
- 2 CONTACT MATERIAL: COPPER ALLOY.
- 3 CONTACT FINISH: DIN 41612 CLASS 2 IN CONTACT AREA. TIN PLATE ON POSTS.
- 4 PART NUMBER, DATE CODE IDENTIFICATION, CSA LOGO IN THIS APPROXIMATE AREA, ON REVERSE SIDE.
- 5 CONTACT POINT.
- 6 ACTION PIN POSTS REQUIRE 1.57[.062] MINIMUM THICK PC BOARD. RECOMMENDED PC BOARD HOLES ARE $\varnothing 1.151 \pm 0.02 [0.0453 \pm 0.001]$ DRILLED HOLES WITH 0.02-0.07[.001-.003] COPPER AND 0.008[.0003] MINIMUM TIN-LEAD PLATING. FINISHED HOLES AFTER PLATING, $\varnothing 0.94-1.09 [0.037-.043]$.



5650865-5
 ASSY PART NUMBER

| | | | | | | |
|--|--|-------------------|---------|---------------------|---|---|
| THIS DRAWING IS A CONTROLLED DOCUMENT. | | DWN: J. POLIGNONE | 03JUN05 | | Tyco Electronics Corporation Harrisburg, Pa 17105-3608 | |
| DIMENSIONS: mm [INCHES] | | CHK: A. SHARPE | 03JUN05 | | NAME: A. SHARPE | ASSEMBLY, RECEPTACLE, EUROCARD, TYPE B, LEAD-FREE, 64 POSITION, 4.83[.190], TOOLLESS, PRESS-FIT |
| TOLERANCES UNLESS OTHERWISE SPECIFIED: | | PRODUCT SPEC | | APPLICATION SPEC | | RESTRICTED TO |
| 0 PLC ± - | | 1 PLC ± - | | 2 PLC ± 0.15[.005] | | SIZE: A1 |
| 3 PLC ± - | | 4 PLC ± - | | ANGLES ± - | | CAGE CODE: 00779 |
| FINISH | | FINISH | | DRAWING NO: 5650865 | | REV: 0 |
| MATERIAL | | WEIGHT | | CUSTOMER DRAWING | | SCALE: 4:1 |
| | | | | | | SHEET: 1 OF 1 |

X-ON Electronics

Largest Supplier of Electrical and Electronic Components

Click to view similar products for [DIN 41612 Connectors](#) category:

Click to view products by [TE Connectivity](#) manufacturer:

Other Similar products are found below :

[09231126901](#) [PCN10F-24P-2.54DS\(72\)](#) [004.767](#) [02221602702](#) [024069](#) [602427301412000](#) [013275](#) [691327-1](#) [74670-0732](#) [74680-0340](#)
[75880-0015](#) [76453-0014](#) [86093159ALF](#) [923454](#) [QLC260R](#) [120X10099X](#) [120X10019X](#) [120X10089X](#) [120X10129X](#) [121A10039X](#)
[121A10309X](#) [122A10019X](#) [122A10029X](#) [122A10249X](#) [122A10669X](#) [122A11089X](#) [122A13089X](#) [121B10409X](#) [122A10089X](#)
[122A10129X](#) [122A10349X](#) [122A13359X](#) [1377391-4](#) [DIN-048CPC-SR1-MH](#) [1393583-2](#) [1393726-7](#) [140X10059X](#) [140X10129X](#) [143-1913-](#)
[000](#) [143-1908-000](#) [1484472-1](#) [173052](#) [2110070-1](#) [2110070-2](#) [CBC20T00-008FDS5-0-1-002VR](#) [983-0SE12-12P6](#) [17041102202](#) [172699-](#)
[5036](#) [173051](#) [20](#) [8457096](#) [010](#) [025](#)