

This document is the property of Amphenol Corporation and is delivered to you for your use only. It is not to be retransmitted, reproduced or made available to any other party. Amphenol Corporation reserves the right to amend or modify this document without notice.

ORDERING INFORMATION

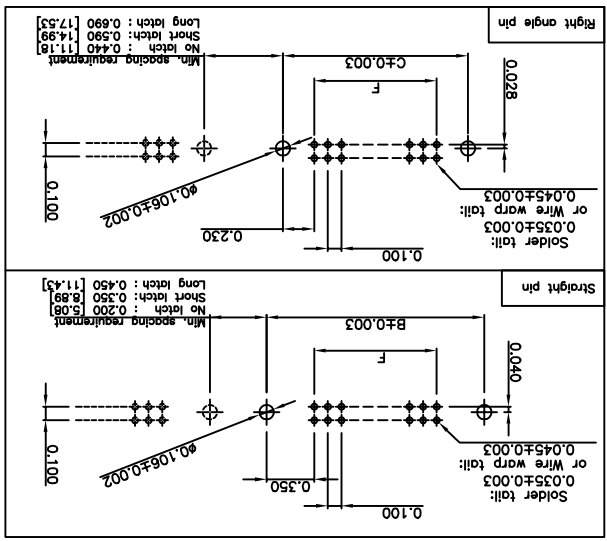
E 842 - 816 - 816 - XX XX - X XX X

- Date code
- Nil - No date code
- E - Date code printed
- No. of contact
- Body & pin configuration (Refer to Table III)
- Plating
 - AA - gold flash duplex
 - 19 - 15u" gold plated duplex
 - 35 - 30u" gold plated duplex
- Lock & Eject (L&E) and mounting stud options
 - 0 - no L&E, no stud
 - 1 - short L&E, no stud
 - 2 - short L&E, short stud
 - 3 - short L&E, long stud
 - 4 - long L&E, no stud
 - 5 - long L&E, short stud
 - 6 - long L&E, long stud
 - F - long L&E, M2.5 stud

Table III

Standard product - four side grey	
Non-standard product - three side grey (specific quantity required)	K
30 - straight solder tail, for 0.062" [1.6 mm] PCB	20 - obsolete
31 - straight solder tail, for 0.125" [3.2 mm] PCB	21 - obsolete
32 - right angle solder tail, for 0.062" [1.6 mm] PCB	22 - obsolete
33 - right angle solder tail, for 0.125" [3.2 mm] PCB	23 - obsolete
37 - straight wire wrap tail	27 - obsolete
39 - right angle wire wrap tail	29 - obsolete

Recommended PCB layout



Size	A	B	C	D	E	F
10	1.26 [32.07]	1.10 [27.94]	0.860 [21.84]	0.708 [17.98]	0.400 [10.16]	
14	1.46 [37.08]	1.30 [33.02]	1.060 [26.92]	0.908 [23.06]	0.600 [15.24]	
16	1.56 [39.62]	1.40 [35.56]	1.160 [29.46]	1.008 [25.60]	0.700 [17.78]	
20	1.76 [44.70]	1.60 [40.64]	1.360 [34.54]	1.208 [30.88]	0.900 [22.86]	
26	2.06 [52.32]	1.90 [48.26]	1.660 [42.16]	1.508 [38.30]	1.200 [30.40]	
30	2.26 [57.40]	2.10 [53.34]	1.860 [47.24]	1.708 [43.38]	1.400 [35.56]	
34	2.46 [62.48]	2.30 [58.42]	2.060 [52.32]	1.908 [48.46]	1.600 [40.64]	
40	2.76 [70.10]	2.60 [66.04]	2.360 [59.94]	2.208 [56.08]	1.900 [48.26]	
50	3.26 [82.80]	3.10 [78.74]	2.860 [72.84]	2.708 [68.78]	2.400 [60.96]	
60	3.76 [95.50]	3.60 [91.44]	3.360 [85.34]	3.208 [81.48]	2.900 [73.66]	
64	3.96 [100.58]	3.80 [96.52]	3.560 [90.42]	3.408 [86.60]	3.100 [78.74]	

Table IV

- Notes:
- Connectors purchased under this drawing will mate with MIL-C-83503/7B socket connector with strain relief or without strain relief and Amphenol's 812 connector.
 - This assembly is designed to meet requirements of MIL-C-83503. The polarizing key slot on this end does not exist on size 10 and 14. Prefix "E" only applies to the four-sided version & polarizing key slot is available for all size including size 10. Suffix "S" only applies to the size 10 since the polarizing key slot is absent from the standard size 10.
 - This connector is both UL and CSA approved.
 - Refer to Amphenol S-816-001 for product specification.
 - MATERIAL SHOULD BE FULL FILLED AMPHENOL SPEC#SSN001.

REV	DESCRIPTION	DATE	APPROVED
1	SEE SHEET 1		

Customer Drawing

Amphenol

816 Protected Header

APPROVAL DATE: 07/18/05
DRAWN: ALEX.LEE
CHECKED: TSUI
DATE: 07/18/05

TITLE: 816 Protected Header

DRAWING FILE: DRAWING_816.DWG

SCALE: NONE

SIZE: A3

DRAWING NO.: C816-XXXX-XXX

REV. T

SHEET 2 OF 2

UNLESS OTHERWISE SPECIFIED
TOLERANCES U.S.
X ±.020
X ±.010
X ±.005
FRACTIONS ±.005
ANGLES ±.25°
REMOVE SHARP EDGES
DIMENSIONS U.S. INCHES
METRIC MM

This document is the property of Amphenol Corporation and is delivered on the condition that it is not to be duplicated, reproduced or used, in whole or in part, for manufacture or sale by anyone other than Amphenol. The copyright in this document is reserved by Amphenol Corporation and no part of this document may be reproduced without the prior consent of Amphenol Corporation. Amphenol Corporation makes no representation in this document.

Latch & Eject	J	H
Short: for use with non strain relief socket	0.425 [10.80]	1.015 [25.78]
Long: for use with strain relief socket	0.575 [14.61]	1.135 [28.83]

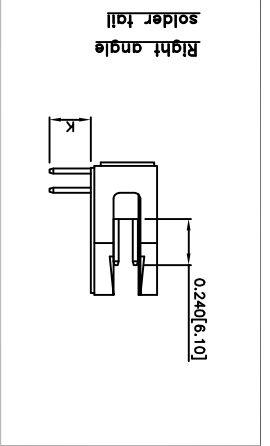
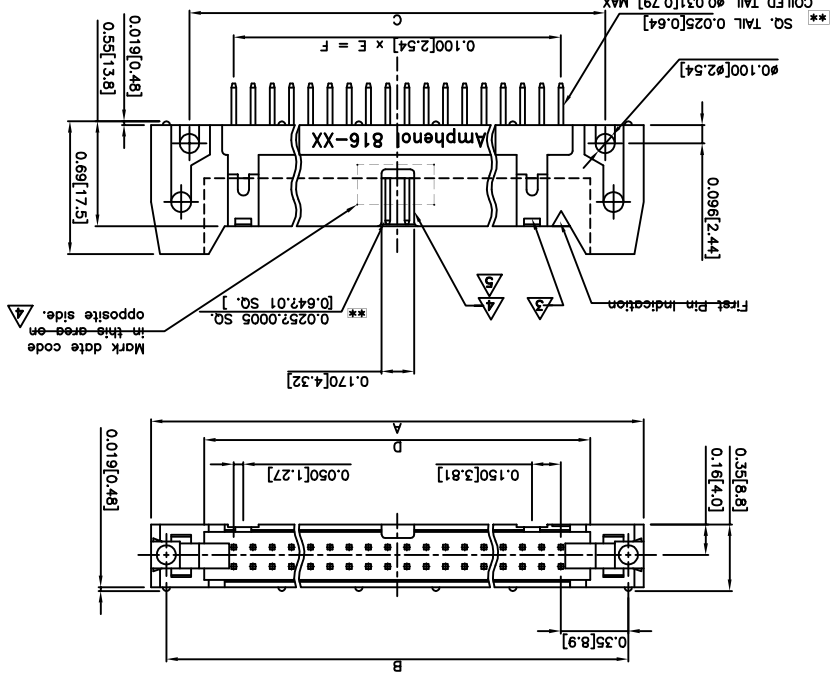
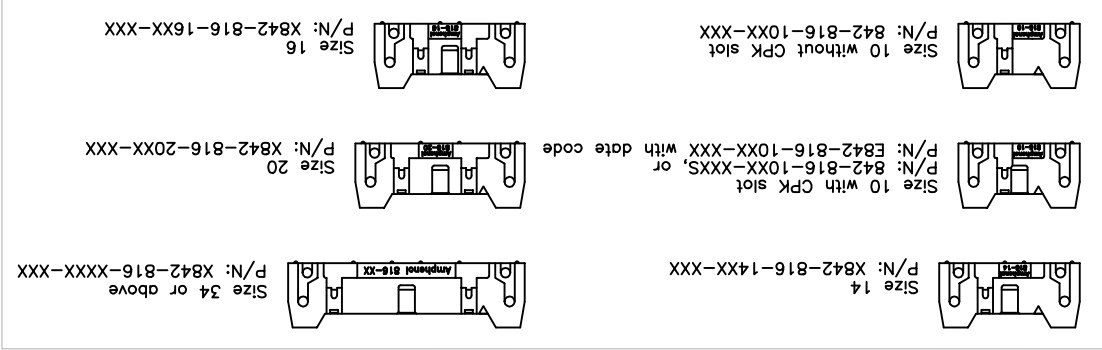
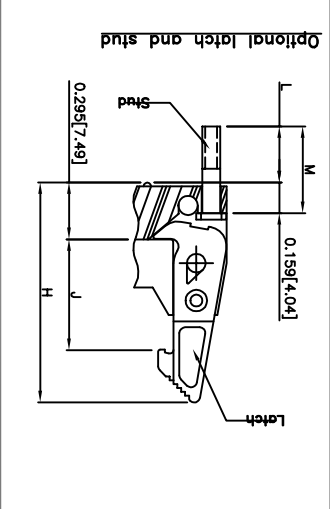
Stud	M	L
Short stud 2-56	0.29 [7.4]	0.45 [11.43]
Long stud 2-56	0.36 [9.1]	0.52 [13.21]
Stud M2.5	0.18 [4.6]	0.34 [8.6]

Table II

Note: unit in inch [mm]

UNLESS OTHERWISE SPECIFIED	APPROVAL	DATE
TOLERANCES	DRAWN ALEXLEE	07/18/05
U.S. METRIC	CHECKED TSUI	07/18/05
X +/- .020		
X +/- .010		
X +/- .005		
FRACTIONS +/- .005		
ANGLES +/- 2.5°		
FOR MATERIALS AND FINISHES SEE NOTES		
REMOVE SHARP EDGES		
DIMENSIONS		
U.S. INCHES		
METRIC MM		

816 Protected Header	SIZE DRAWING NO.	A3 C816-XXXX-XXX
REV. 1	SCALE	NONE
	SHEET	1 OF 2



Customer Drawing

SYN	ECN	DESCRIPTION	DATE	APPROVED
Q	HK1421	RELEASE TO CUSTOMER	06/12/97	NELSON
R	HK1513	***"TAIL SIZE MODIFIED"	06/01/98	Michael Tsui
S	HK2043	Reverse Latch option/kate late three side option	8/24/01	Michael Tsui
T	HK3437	UPDATE DRAWING TO COMPLY WITH ROHS	07/18/05	Michael Tsui



X-ON Electronics

Largest Supplier of Electrical and Electronic Components

Click to view similar products for [FFC & FPC Connectors](#) category:

Click to view products by [Amphenol](#) manufacturer:

Other Similar products are found below :

[HFW11R-1STE1H1LF](#) [FH29B-100S-0.2SHW\(99\)](#) [FA5S008HP1](#) [FH29B-120S-0.2SHW\(99\)](#) [FH29B-80S-0.2SHW\(99\)](#) [FHS-16](#) [FPH-2022G](#)
[52610-1075](#) [52610-1275](#) [52610-1934](#) [XF3M\(1\)-1415-1B-R100](#) [501864-3091-TR225](#) [0525594033](#) [086210010340800](#) [086222026001800](#)
[52271-2869-CUT-TAPE](#) [62674-201121DLF](#) [62684-36210E9ALF](#) [52610-1675](#) [52746-1671-TR250](#) [10051922-2810EHLF](#) [6-520415-9](#)
[BD021-09A-A1-0350-0200-0550-LD](#) [SFV6R-1STE9HLF](#) [XF3M-2915-1B-R100](#) [1658549-1](#) [62674-221121ALF](#) [46214008010800](#)
[046298003000883](#) [151660622](#) [842-816-2630-035](#) [AYF530665TA](#) [AYF351525](#) [046296011930846+](#) [AYF352325A](#) [046254020000800+](#)
[FH19C-13S-0.5SH\(99\)](#) [FH39J-51S-0.3SHW\(99\)](#) [AYF355125A](#) [AYF530365TA](#) [FH29B-44S-0.2SHW\(99\)](#) [SFW5R-2STAE9LF](#) [AYF351125A](#)
[AYF350725A](#) [62684-502100AHLF](#) [FH39-61S-0.3SHW\(99\)](#) [AYF414035A](#) [10064555-172520HLF](#) [AYF212335A](#) [504754-2500](#)