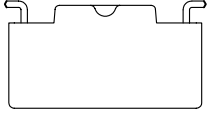
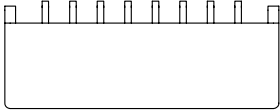


NOTES:

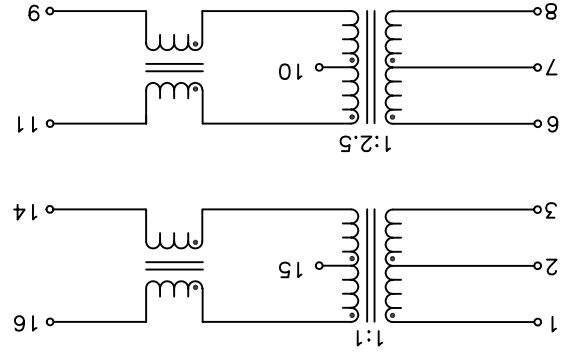
1. ROHS COMPLIANT
2. HEADER: PHENOLIC WITH FLAMMABILITY RATING UL 94V-0 OR BETTER.
3. STORAGE TEMPERATURE: -50°C TO +125°C
4. COMPLIANCE TO J-STD:
 - A. J-STD-002: SOLDERABILITY AT 245°C REFLOW PROFILE
 - B. J-STD-020: LEVEL 1, NO MOISTURE SENSITIVE
 - C. J-STD-075: R7, 245°C MAXIMUM THROUGH REFLOW SOLDER
5. TO ORDER TAPE & REEL PACKAGING ADD A "T" SUFFIX TO THE PART NUMBER (i.e. EX2024FNL BECOMES EX2024FNLT).



FINAL OUTLINE

PRODUCT DESCRIPTION	TLA DRAWING	PS DRAWING	SHEET	PART NO.	DATASHEET REV.
MDL,SIN,10D,1:2.5,SM,TU	EX2024FNL-10	PS-2753.001-A	1 OF 3	EX2024FNL	A

© Copyright, 2014. Pulse Electronics Corp. All rights reserved. Pulse confidential & proprietary. (06/11/14)



SCHEMATIC - PINS 4, 5, 12 AND 13 NOT CONNECTED

PARAMETER	SPECIFICATIONS			
OPERATING TEMPERATURE	-40°C ~ +85°C			
POLARITY	PER SCHEMATIC			
TURNS RATIO	(6-8):(11-9) = 1:2.5 ±3% (1-3):(16-14) = 1:1 ±3%			
INDUCTANCE (OCL) (MEDIA SIDE, -40°C~85°C)	(1-3) = 200 uH MIN (6-8) = 35 uH MIN (AT 100 KHZ 20 mVRMS)			
CAPACITANCE WINDING TO WINDING	30 pF MAX (AT 100 KHZ 20 mVRMS)			
COMMON MODE REJECTION RATIO	1 MHZ	30 MHZ	40 MHZ	100 MHZ
	-50 DB MIN	-50 DB MIN	-40 DB MIN	-40 DB MIN
DC RESISTANCE	2.0 OHMS MAX			
LEAKAGE INDUCTANCE	0.8 uH MAX			
INPUT - OUTPUT ISOLATION	1500 VRMS MIN @ 60 SECONDS			

NOTE: f IS FREQUENCY IN MHZ.

© Copyright, 2014. Pulse Electronics Corp. All rights reserved. Pulse confidential & proprietary. (06/11/14)

PRODUCT DESCRIPTION	TLA DRAWING	PS DRAWING	SHEET	PART NO.	EXX2024FNL	DATA SHEET REV.
MDL,SIN,10D,1:2.5,SM,TU	EXX2024FNL-10	PS-2753.001-A	2 OF 3			A

X-ON Electronics

Largest Supplier of Electrical and Electronic Components

Click to view similar products for [Audio Transformers / Signal Transformers](#) category:

Click to view products by [Pulse manufacturer](#):

Other Similar products are found below :

[749023020](#) [CU4S0506AT-2655-H1](#) [MET-58](#) [PE-64961](#) [H5008FNL](#) [H5020FNLT](#) [H5079NLT](#) [1879479-1](#) [1879564-1](#) [PA1277NLT](#)
[PA1528ANL](#) [PA2007NLT](#) [FL1066](#) [T1137NLT](#) [T3012NL](#) [PE-65812FNL](#) [TTC-100](#) [TTC-143-H](#) [TTC-5032-1](#) [HX1234NLT](#) [HX5008FNLT](#)
[100B-1001XNL](#) [PA1282NLT](#) [HX5084FNL](#) [T1108NLT](#) [2-1879391-5](#) [TTC-266-2](#) [3-1879385-4](#) [PA1032NL](#) [H2009FNLT](#) [PA0801NLT](#)
[TTC-266](#) [X-1619](#) [SM51295PEL](#) [T5008NLT](#) [PE-68517T](#) [HX1294NLT](#) [HX5084FNLT](#) [H5015FNLT](#) [H6080NLT](#) [CX2024NL](#) [HX1294FNLT](#)
[TX1473NLT](#) [PE-69011NLT](#) [CX2047LNLT](#) [CX2043LNLT](#) [DCT20EFD-U32S003](#) [H5120NLT](#) [H7137FNLT](#) [H1259NLT](#)