

The Secondary Adapter Plug System

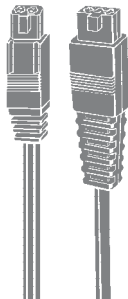


Universal jacks

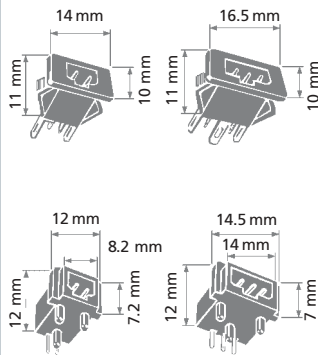
In addition to the standardized low voltage plug-in connections such as coaxial (in accordance with DIN 45323) and jack connectors (in accordance with DIN 45318) FRIWO also provides customized connecting cables.

The wire diameter which is generally used in this case ranges from 0.25 to 1.5 mm². Both flat and round cables can be used. FRIWO has its own plug system with self cleaning fork contacts and the corresponding sockets for or PWB installation. This plug connection is available in 2 or 3 contact design.

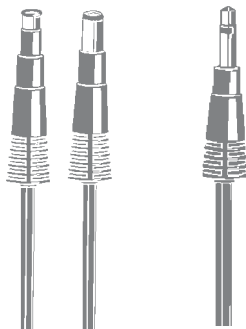
In addition to the safe contact and the self cleaning of the fork contacts this system also provides the advantage of extremely small dimensions. The illustrated low voltage plugs only represent one section of the comprehensive range. Customized designs, special versions and conditions and other dimensions can be obtained upon request.



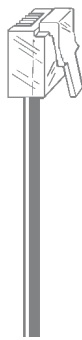
Device connector



Texas sockets



Coaxial plugs & male jacks



Phone connectors (on request)

Texas sockets		
Designation	Contacts	Order No.
Housing inst.	2-pin	1323938
Circuit board inst.	2-pin	1321609
Texas plug		
Designation		Order No.
Plug		1812758
Male jacks		
Outside Ø	Length mm	Order No.
2.5	13	1812756
3.5	14	1812757

Coaxial plugs			
Outside Ø	Inside Ø	Length mm	Order No.
3.5	1.3	9.5	1812748
4.0	1.7	11.0	1812749
5.5	2.1	9.5	1812750
5.5	2.1	11.5	1812751
5.5	2.1	14.0	1812752
5.5	2.5	9.5	1812753
5.5	2.5	11.5	1812754
5.0	1.95	DIN 45323	1812755

X-ON Electronics

Largest Supplier of Electrical and Electronic Components

Click to view similar products for [friwo](#) manufacturer:

Other Similar products are found below :

[FOX6 MEDICAL USB](#) [FOXD30 12V](#) [1812753](#) [1812749](#) [FOX12 MEDICAL 5V](#) [FOX18 12V](#) [FOX18 MEDICAL 12V](#) [FOX12 MEDICAL USB](#) [FOX12 5V](#) [FODX30 MEDICAL 12V](#) [1894875](#) [1898154](#) [FOXD30 5V](#) [FOX18 MEDICAL 24V](#) [FOX18 5V](#) [1826393](#) [1895235](#)