

Absolute Digimatic Height Gage Series 570

BULLETIN NO. 1678-570



Absolute Encoder Built-in Height Gage

Height Gage Excellent in Both Functionality and Cost Performance!



Features

Slider Feed Wheel

- Smooth up/down displacement is ensured with the slider feed wheel identical with that of proven double-column height gages.



Absolute Digimatic Height Gage

Mitutoyo

Large Clamp Lever

- This lever provides reliable slider clamp operation.



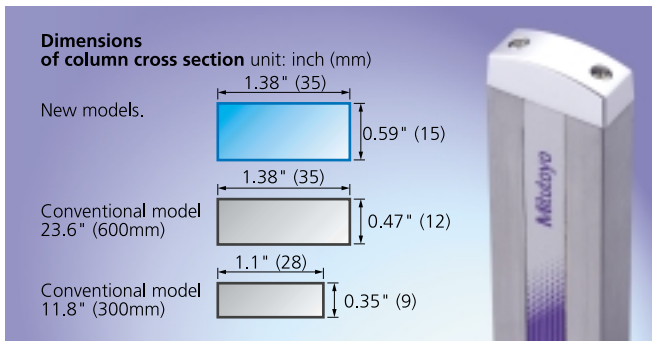
Base

- A new base design makes it easy to move and hold.



Column

- Durability and high measuring accuracy are ensured.
- Increased rigidity: 1.38" x 0.59" (35 x 15mm) common to all models.
- Instrumental error of 12"/300mm model: $\pm 0.0015"/\pm 0.03\text{mm}$, an improvement over earlier models.



Built-in ABS (Absolute) Encoder

- This encoder eliminates the necessity of setting the reference point at every power-on.
- It has improved reliability because no over-speed error will occur.



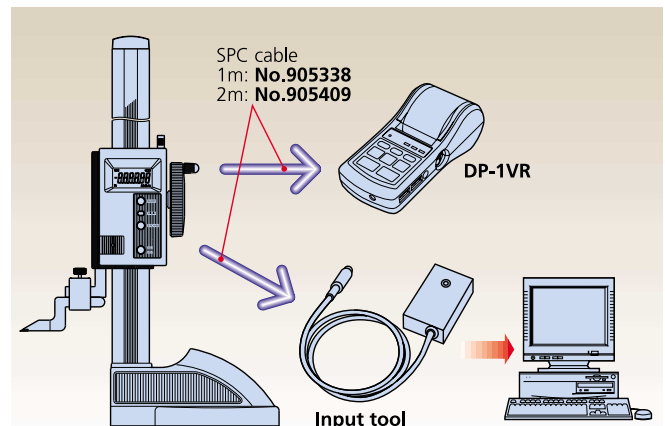
Large Liquid Crystal Display

- Character size: 0.39" x 0.15" (10 x 3.8mm), is larger and easier to read compared to earlier models.
- Readable in dark environments.




Output Function Provided

- Measured data can be output to the small printer Digimatic Mini Processor DP-1VR (optional) or to a personal computer via the input tool (optional).



Functions

- **ORIGIN (Absolute Origin) Setting Function**
The surface plate top, etc., can be stored as the absolute origin.
- **ABS (Absolute) Measurement Function**
After power-on, measuring can begin without zero-setting as required by previous models. Also, the absolute origin position can be changed with the ORIGIN (Absolute Origin) switch.
- **INC (Incremental) Measurement Function**
This function allows the origin setup at an arbitrary position in addition to the ABS (Absolute) Measurement Function. In this case turning the power off clears the new origin from memory, and reverts the gage back to its original absolute origin.
- **Hold Function**
A display value can be held as is.
- **Output Function**
The output terminals of measured data allow you to establish a statistical process control system or a measurement support system.
- **Low Battery Alarm**
This function notifies you of that the battery has significantly been consumed with mark "  " before the gage is put in a state that it can make no measurement.
The timing of battery replacement is recognized beforehand.



Useful Accessories

- Holder arm C which allows a test indicator to be attached to this gage and the clamp (with a dovetail groove) are available as optional accessories. (Refer to specifications.)



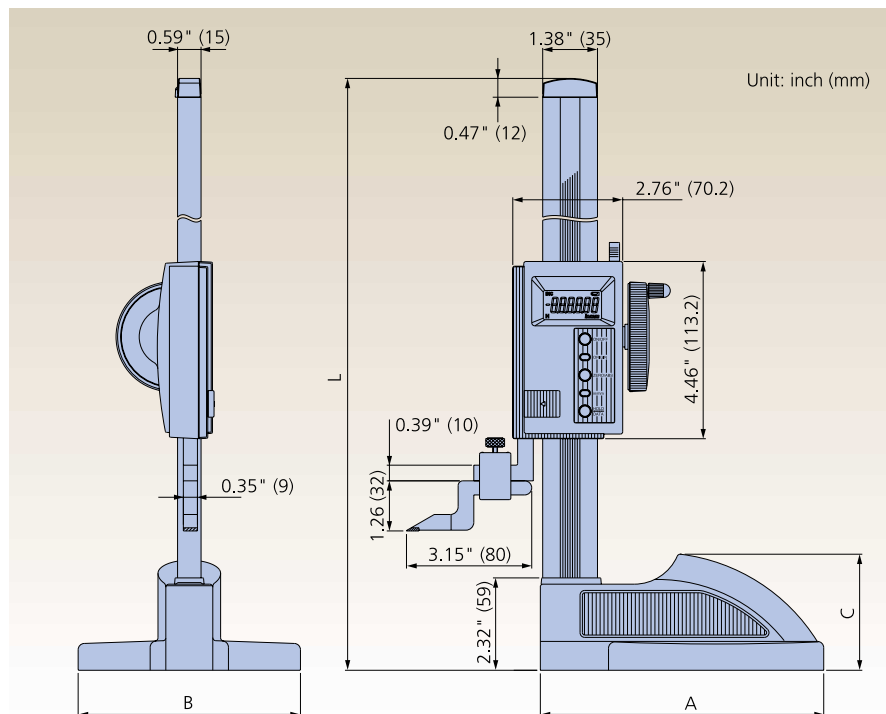
Specifications

Order No.	570-302	570-304	570-312	570-313	570-314
Measuring range (mm/inch)	0 - 300mm	0 - 600mm	12" /300mm	18" /450mm	24" /600mm
Resolution (mm/inch)	0.01mm		.0005" /0.01mm		
Instrumental error* ¹	±0.03mm	±0.05mm	±.0015" /±0.03mm	±.0020" /±0.05mm	
Repeatability (mm/inch)	0.01mm		.0005" /0.01mm		
Display	6-digit LCD, character height of 10mm				
Response speed	Unlimited				
Power supply	SR44 (button-type silver oxide battery) 1pc, No. 938882				
Battery life	20,000 hours				
Functions	ORIGIN (absolute origin) setting function, ABS (absolute) measurement function, INC (incremental) measurement function, Hold function, Output function* ² , and Low-battery alarm				
Mass lbs (kg)	10.14 (4.6)	14.11 (6.4)	10.14 (4.6)	13 (5.9)	14.11 (6.4)
Slider feed	Wheel rotation				
Standard accessories	Scriber No. 07GZA000 / Scriber clamp No. 05GZA033		Scriber No. 900258 / Scriber clamp No. 901385		
Optional accessories	Holder arm C No. 953638 (for mm) No. 953639 (for inch)/ Clamp with dovetail groove No. 902053 /Connecting cable No. 905338 (1m), No. 905409 (2m)				
L	20.0" (507mm)	32.0" (812mm)	20.0" (507mm)	26.1" (662mm)	32.0" (812mm)
A	6.3" (160mm)	7.13" (181mm)	6.3" (160mm)	7.13" (181mm)	
B	4.8" (122mm)	5.6" (142mm)	4.8" (122mm)	5.6" (142mm)	
C	2.86" (72.6mm)	2.92" (74.1mm)	2.86" (72.6mm)	2.92" (74.1mm)	

*1: Quantizing error: ±1 count is not included.

*2: Data output cable (option): 1m (No. 905338) or 2m (No. 905409)

Dimensions





Mitutoyo

Made to Measure

Mitutoyo America Corporation

Regional Offices: Michigan (734) 459-2810
M³ Solution Center Massachusetts (978) 692-8765

Illinois (630) 978-5385
Indiana (317) 577-6070

California (626) 961-9661
No. Carolina (704) 875-8332

www.mitutoyo.com

X-ON Electronics

Largest Supplier of Electrical and Electronic Components

Click to view similar products for [mitutoyo](#) manufacturer:

Other Similar products are found below :

[2109S-10](#) [530-104](#) [103-129](#) [500-171-30](#) [7010SN](#) [148-104](#) [530-118](#) [293-832](#) [959150](#) [2046SB](#) [543-391B](#) [500-184-30](#) [102-301](#) [575-123](#) [148-201](#) [500-196-30](#) [2046S](#) [7301](#)