

### Common mode Noise Filters

Type: **EXC14CX**



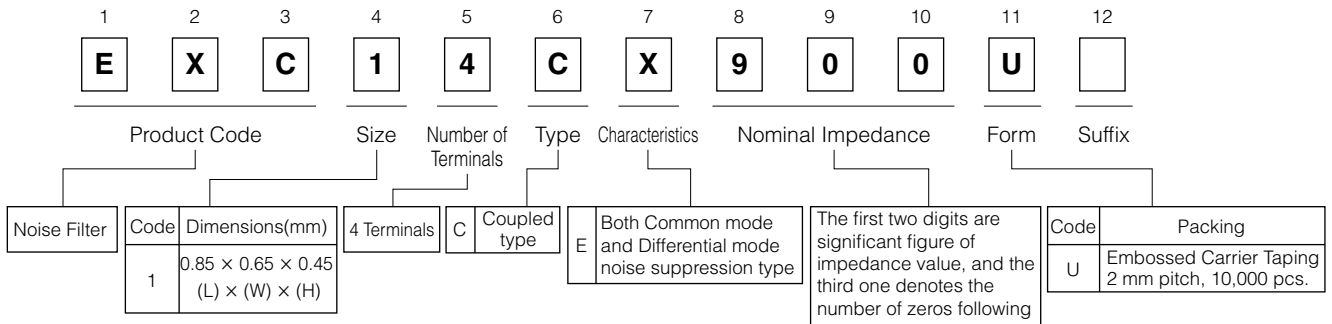
#### ■ Features

- Small size and low-profile  
(L 0.85 mm×W 0.65 mm×H 0.45 mm)
- This EXC14CX type are designed to suppress noise from MIPI interface in Mobile Phone
- This filter can suppress not only common mode noise but also differential mode noise at mobile phone RF band
- Rigidly layered and sintered structure with high resistance to reflow heat and mounting reliability
- Lead, halogen, and antimony free
- RoHS compliant

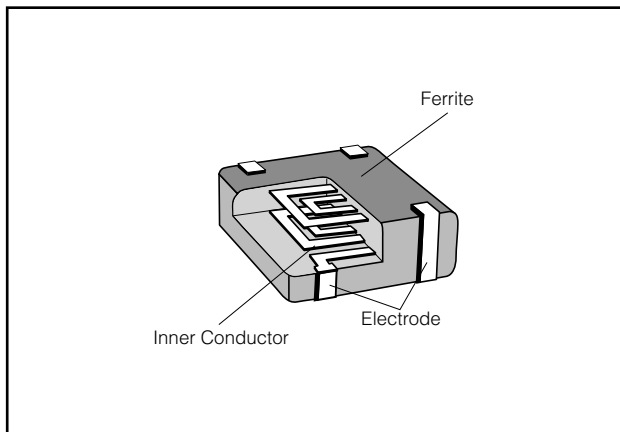
#### ■ Recommended Applications

- Mobile phone, DSC, notebook PCs and Digital displays
- Noise suppression of high-speed data lines such as MIPI, USB and LVDS

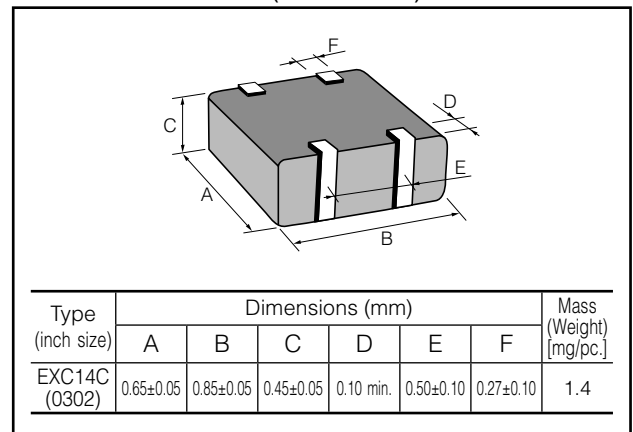
#### ■ Explanation of Part Numbers



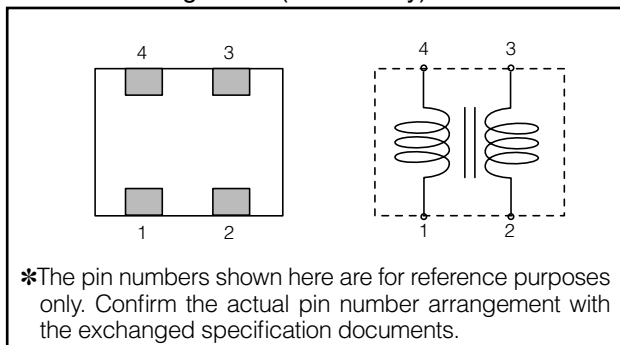
#### ■ Construction



#### ■ Dimensions in mm (not to scale)



#### ■ Circuit Configuration(No Polarity)

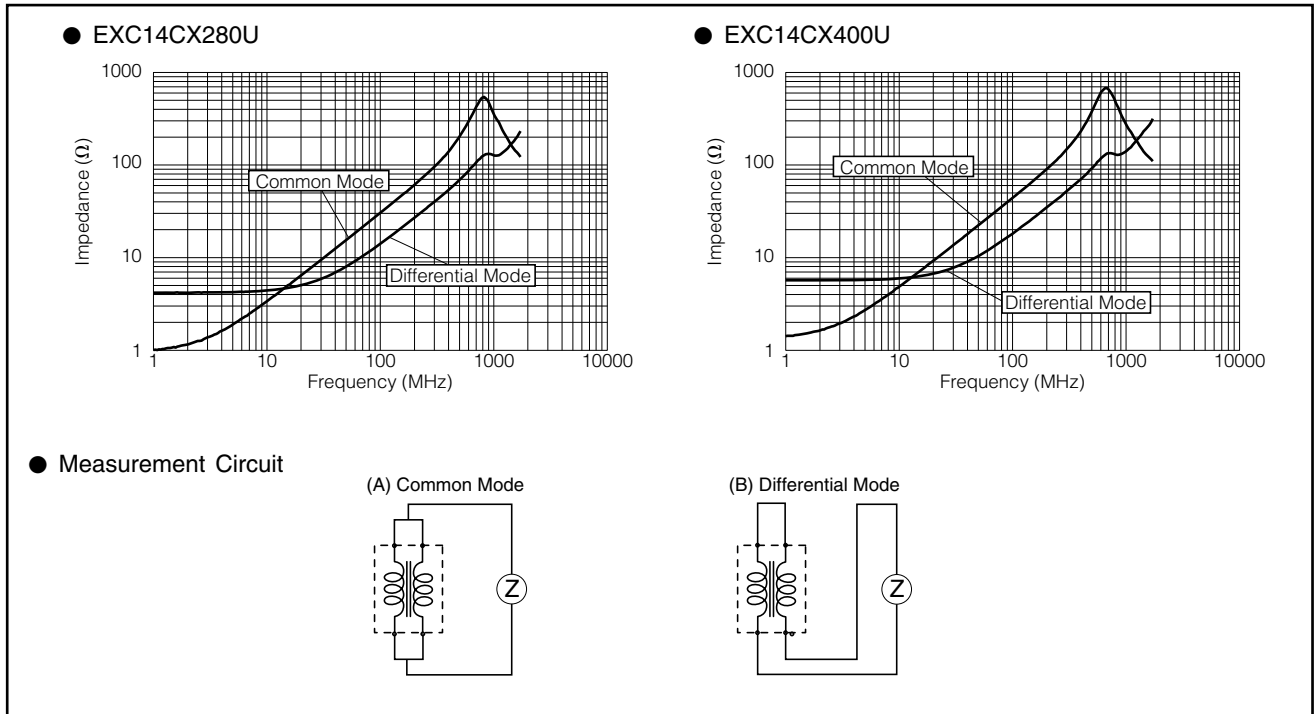


■ Ratings

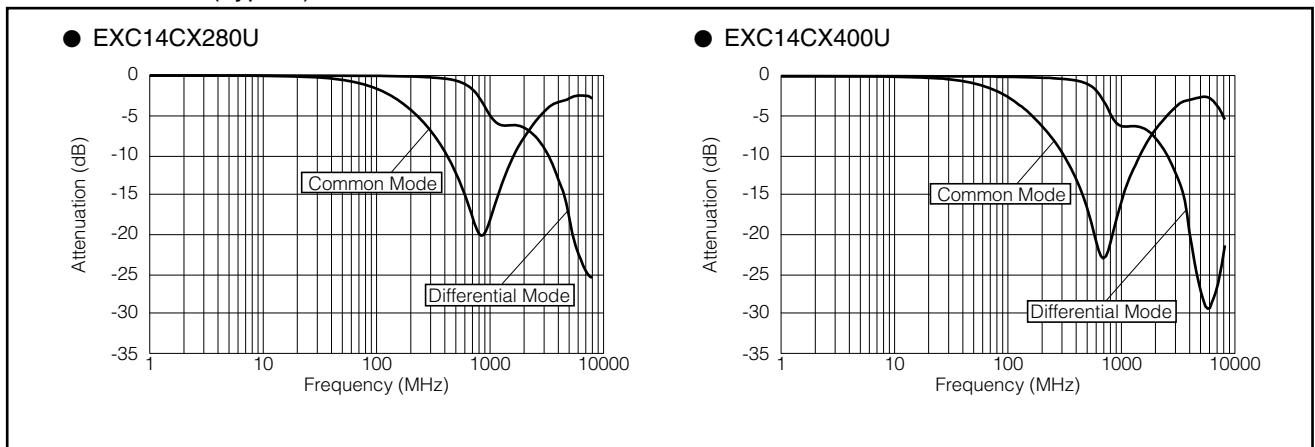
Part Number	Impedance ( $\Omega$ ) at 100 MHz		Rated Voltage (V DC)	Rated Current (mA DC)	DC Resistance ( $\Omega$ )max.
	Common Mode	Differential Mode			
EXC14CX280U	28 $\Omega$ ±20 %	25 $\Omega$ max.	5	130	3.0
EXC14CX400U	40 $\Omega$ ±25 %	30 $\Omega$ max.	5	130	4.0

● Category Temperature Range -40 °C to +85 °C

■ Impedance Characteristics (Typical)



■ Insertion Loss (Typical)



■ Packaging Methods, Land Pattern, Soldering Conditions and Safety Precautions

Please see Related Information

## X-ON Electronics

Largest Supplier of Electrical and Electronic Components

*Click to view similar products for [Common Mode Filters / Chokes](#) category:*

*Click to view products by [Panasonic](#) manufacturer:*

Other Similar products are found below :

[74279408](#) [8109-RC](#) [8121-RC](#) [PE-62911NL](#) [PE-64683](#) [RD5122-6-9M6](#) [RD6137-6-7M5](#) [RD8147-16-3M0](#) [B82722A2801N020](#)  
[B82723A2802N001](#) [B82723J2802N001](#) [B82726S2183N020](#) [T8114NLT](#) [RD5122-10-6M0](#) [RD7147-25-0M7](#) [B82724J2502U040](#)  
[B82725S2103N004](#) [B82731M2401A033](#) [B82792C0506N365](#) [IND-0110](#) [CMC-03](#) [8117-RC](#) [PE-67531](#) [B82732R2601B30](#)  
[B82794C0686N465](#) [2752041447](#) [2752045447](#) [CMS3-11-R](#) [23Z109SMNL-T](#) [009968H](#) [014660H](#) [057966E](#) [CM9900-224](#) [CPFC74NP-](#)  
[PS01H2A30](#) [CPFC805NP-100M05](#) [EXC-24CD121U](#) [EXC-24CD201U](#) [EXC-24CD600U](#) [B82723A2602N001](#) [B82730U3162A020](#)  
[B82730U3951A020](#) [DKFP-6248-0102](#) [DKFP-6248-02D5](#) [DKFP-6248-D504](#) [7448640395](#) [ELF-14M080E](#) [ELF-18D214](#) [ELF-18D217](#) [ELF-](#)  
[18D218](#) [ELF-18D227F](#)