

### Description

Single and multipole magnetic circuit breakers with trip-free mechanism and toggle actuation. A choice of fast magnetic only or hydraulically delayed switching characteristics (S-type MO or HM CBE to EN 60934) ensures suitability for a wide range of applications. Industry standard dimensions and panel mounting. Options include auxiliary changeover contacts. Low temperature sensitivity at rated load.

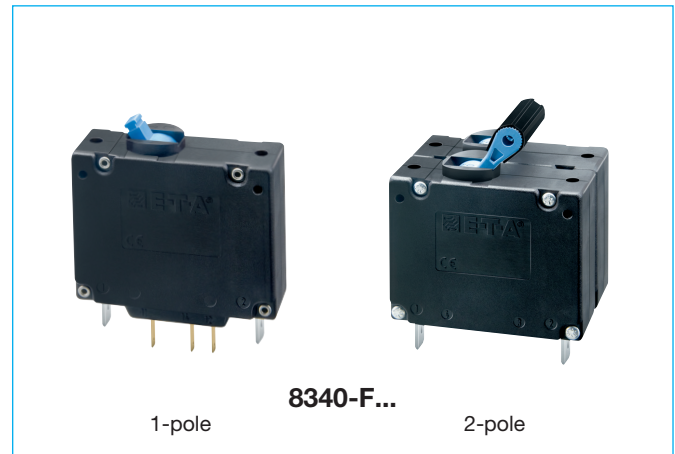
Approved to CBE standard EN 60934 (IEC 60934).

### Typical application

Control equipment, communications systems, transportation, power supplies.

### Standard current ratings and typical internal resistance values

Current rating (A)	Typical internal resistance values (mΩ)	
	K1, M1, T1	M2, T2
0.02	2669	2457
0.05	452	376
0.1	100	94
0.25	15.5	14.7
0.5	3.9	3.2
0.75	1.65	1.56
1	0.95	0.90
2	0.26	0.20
2.5	0.15	0.15
3	0.10	0.10
5	0.042	0.040
6	0.029	0.028
8	< 0.02	< 0.02
10	< 0.02	< 0.02
12	< 0.02	< 0.02
15	< 0.02	< 0.02
16	< 0.02	< 0.02
20	< 0.02	< 0.02
25	< 0.02	< 0.02
30	< 0.02	< 0.02
40	≤ 0.01	-
50	≤ 0.01	-



### Technical data

For further details please see chapter: **Technical Information**

Voltage rating	3 AC 415 V; AC 240 V, 50/60 Hz; DC 80 V (higher DC ratings to special order)		
Current ratings	0.02...50 A single pole (40+50 A DC only) 0.02...30 A multipole		
Auxiliary circuit	6 A, AC 240 V; 3 A, DC 28 V 1 A, DC 65 V; 0.5 A, DC 80 V		
Typical life	3 AC 415 V, AC 240 V: 0.02...30 A 6,000 operations at 1 x I <sub>N</sub> , inductive 10,000 operations at 1 x I <sub>N</sub> , resistive DC 80 V: 0.02...25 A 6,000 operations at 1 x I <sub>N</sub> , inductive 0.02...30 A 10,000 operations at 1 x I <sub>N</sub> , resistive 40 + 50 A 6,000 operations at 1 x I <sub>N</sub> , resistive		
Ambient temperature	-40...+85 °C (-40...+185 °F)		
Insulation co-ordination (IEC 60664 and 60664A)	rated impulse withstand voltage 2.5 kV reinforced insulation in operating area	pollution degree 2	
Dielectric strength (IEC 60664 and 60664A) operating area	test voltage AC 3,000 V pole to pole (2- and 3-pole) AC 1,500 V main to auxiliary circuit AC 3,000 V switching to trip circuit AC 1,500 V (version -X)		
Insulation resistance	> 100 MΩ (DC 500 V)		
Interrupting capacity	6 x IN at AC; IEC 60934 - test sequence E 4 x IN at DC		
Interrupting capacity (UL 1077)	I <sub>N</sub>	0.02...20 A	25...30 A
	AC:	1-pole AC 250 V/3,500A	AC 250 V/3,500A
		2-pole AC 250 V/3,500A	AC 250 V/5,000A
		3-pole 3AC 250V/3,500A	3AC250V/5,000A
	DC:	1-pole 0.02...50 A	DC 80 V/3,500 A
		2-pole 0.02...30 A	DC 80 V/3500 A
Degree of protection (IEC 60529/DIN 40050)	operating area IP40 terminal area IP00		
Vibration	with toggle down: 10 g (57-2000Hz) ± 0.76 mm (10-57 Hz) at 0.9 x IN directions 1, 2, 3, 4, 5: 10 g (57-2000 Hz) at 1 x IN.		
Shock	100 g (11 ms) at 1 x IN, directions 1,2,3,4,5 100 g (11 ms) at 0.8 x IN, direction 6.		
Corrosion	96 hours at 5 % salt mist, to IEC 60068-2-11, test Ka		
Humidity	240 hours at 95 % RH to IEC 60068-2-78, test Cab		
Mass	approx. 65 g per pole		

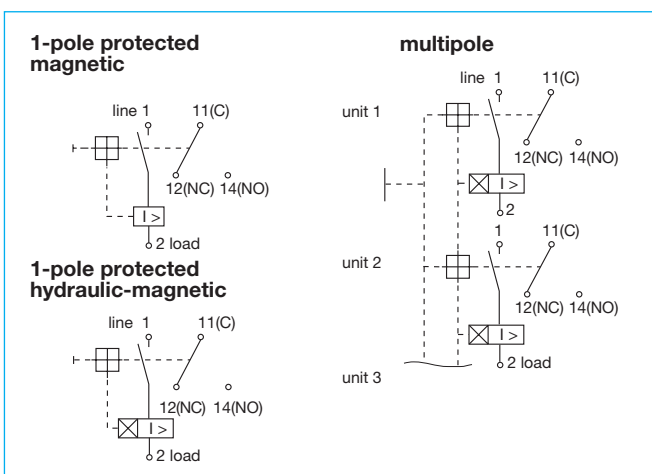
**Ordering information**

<b>Type No.</b>	8340 magnetic circuit breaker with toggle actuator
<b>Mounting</b>	
<b>F</b> flange mounting	
<b>Configuration</b>	
<b>4</b> with mounting nuts M3	
<b>9</b> snap-in frame	
<b>Number of poles</b>	
<b>1</b> single pole protected	
<b>2</b> two pole protected	
<b>3</b> three pole protected	
<b>Panel hardware</b>	
<b>0</b> without panel hardware	
<b>Terminal design (main contact)</b>	
<b>K4</b> screw terminals with metric thread, M5 ( $I_N = 20$ A)	
<b>P1</b> blade terminals	
<b>Characteristic curve</b>	
<b>Characteristic curve K, short delay:</b>	
<b>K1</b> DC trip time at $2 \times I_N$ : 0.16-1.2 s	
<b>Characteristic curve M, medium delay:</b>	
<b>M1</b> DC trip time at $2 \times I_N$ : 0.6-7.5 s	
<b>M2</b> AC 60/50Hz trip time at $2 \times I_N$ : 2.2-20 s	
<b>Characteristic curve T, long delay:</b>	
<b>T1</b> DC trip time at $2 \times I_N$ : 10-70 s	
<b>T2</b> AC 60/50Hz trip time at $2 \times I_N$ : 15-150 s	
<b>Actuator colour/design</b>	
<b>A</b> black, long toggle	
<b>K</b> black, short toggle	
<b>Z</b> black, without toggle, with slot	
<b>other colours to special order</b>	
<b>Marking on actuator</b>	
<b>0</b> without marking	
<b>L</b> I-O; ON-OFF	
<b>N</b> I-O; ON-OFF (IN on housing top)	
<b>Auxiliary contacts</b>	
<b>H0</b> without auxiliary contacts	
<b>H1</b> with auxiliary contacts, gold-flushed	
<b>H2</b> auxiliary contacts, gold-flushed on one pole only (multipole)	
<b>Auxiliary contact function</b>	
<b>4</b> 1 change over contact	
<b>Auxiliary contact terminal design</b>	
<b>2</b> blade terminal 2.8-0.5 mm	
<b>Current ratings</b>	
0.02...50 A	
<b>8340 - F 1 1 0 - P1 M1 - A L H1 4 2 - 30A</b> ordering example	

**Homologations**

Authority	Voltage ratings	Current ratings
VDE (EN 60934)	3 AC 415 V; AC 240 V; DC 80 V	0.02...30 A 1 to 6-pole
	DC 80 V	0.02...50 A 1-pole
UL 1077, CSA	DC 80 V	0.02...50 A 1 to 6-pole
	3 AC 250 V; AC 250 V	0.02...30 A 1 to 6-pole
QPL (Sweden)	AC 240 V; DC 50 V	1...30 A
CCC	3 AC 415 V; AC 240 V	0.02...30 A
	DC 80 V	0.02...50 A 1, 2-pole

**Internal connection diagrams**



**Preferred types**

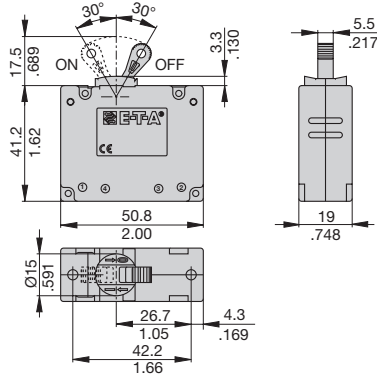
**NEW**

Preferred types	Standard current ratings (A)												
	1	2	3	5	8	10	12	16	20	25	30	40	50
8340-F410-P1K1-ALH0-	x	x	x	x	x	x	x	x	x				
8340-F410-P1K1-ALH142-	x	x	x	x	x	x	x	x	x				
8340-F410-P1M1-ALH0-	x	x	x	x	x	x	x	x	x				
8340-F410-P1M1-ALH142-	x	x	x	x	x	x	x	x	x				
8340-F410-K4K1-ALH0-										x	x	x	x
8340-F410-K4K1-ALH142-										x	x	x	x
8340-F410-K4M1-ALH0-										x	x	x	x
8340-F410-K4M1-ALH142-										x	x	x	x

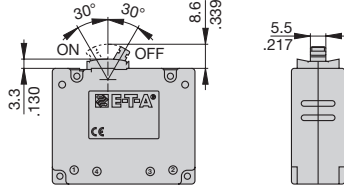
**Dimensions**

**Flange mounting  
Configuration: F4**

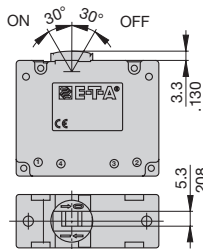
Actuator: long toggle



Actuator: short toggle

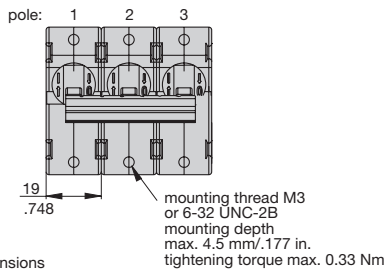


Actuator: without toggle, with slot

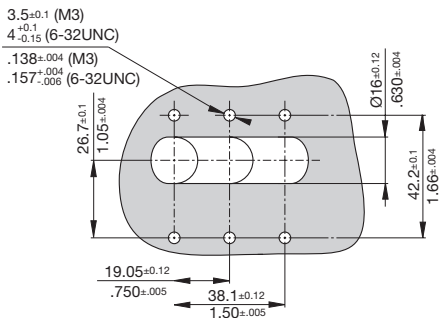


Applicable for nominal dimensions without direct tolerance indication:  
DIN ISO 286 ± IT13

number of poles: 1-3

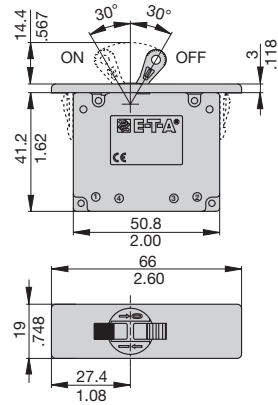


Cut-out dimensions  
max. panel thickness: 3 mm

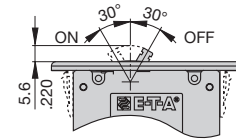


**Configuration: F9**

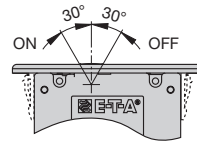
Actuator: long toggle



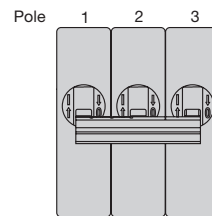
Actuator: short toggle



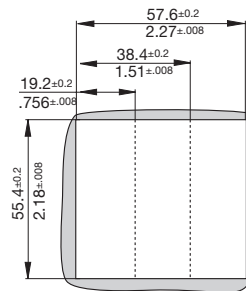
Actuator: without toggle, with slot



number of poles: 1-3



Cut-out dimensions  
max. panel thickness: 2 ± 0.1 mm or 4 ± 0.15 mm  
(snap-fit)

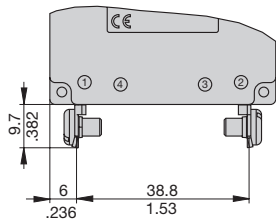


Applicable for nominal dimensions without direct tolerance indication:  
DIN ISO 286 ± IT13

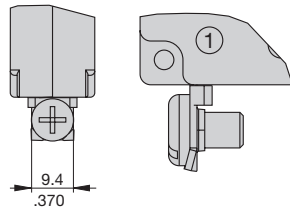
This is a metric design and millimeter dimensions take precedence (mm/inch)

**Terminal design / Dimensions**

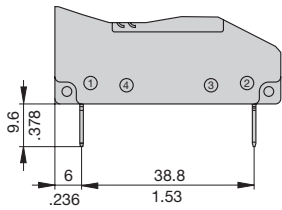
**K4 screw terminals**  
tightening torque max. 1.2 Nm



**K4 screw terminals M5**

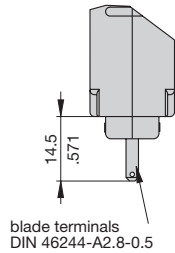
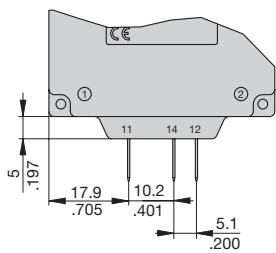


**P1 blade terminals**



blade terminals  
DIN 46244-A6.3-0.8

**Auxiliary contacts**  
version H (standard, asymmetrical gold-flushed terminals, silver contacts)

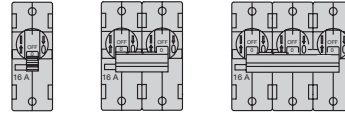


blade terminals  
DIN 46244-A2.8-0.5

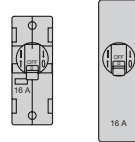
**Actuator configuration**

**Actuator design**  
number of poles: 1 - 3  
Configuration: F4

Actuator long

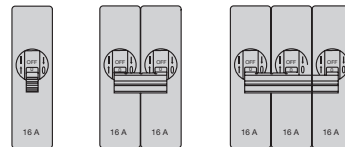


Actuator short



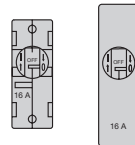
number of poles: 1 - 3  
Configuration: F9

Actuator long



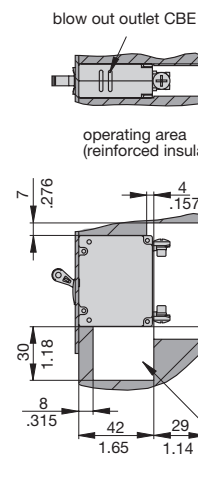
number of poles: 1  
Configuration: F4 / F9

Actuator: Z (black, without toggle, with slot)

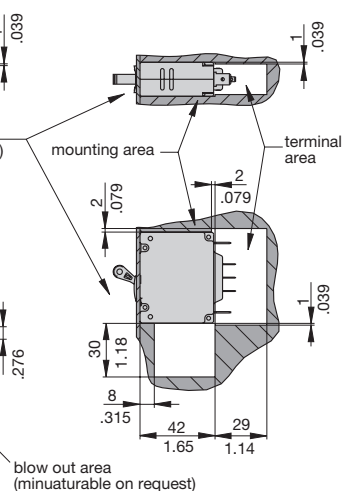


**Installation drawing**

**Terminal design K**



**Terminal design P**

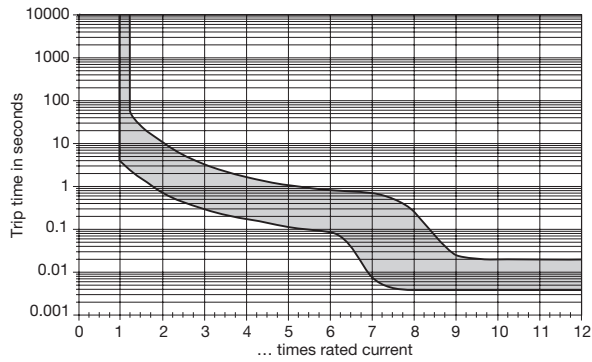


Trip time values indicated for front mounting on a vertical even surface

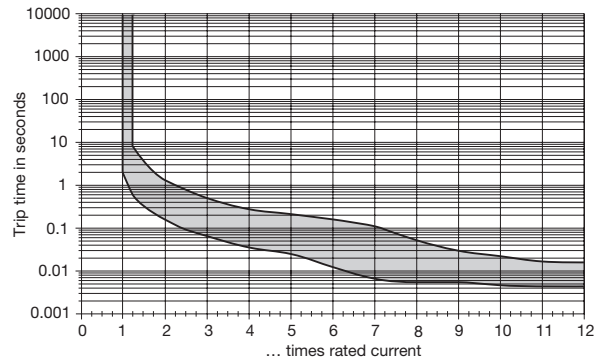
This is a metric design and millimeter dimensions take precedence (mm/inch)

Typical time/current characteristics at 23 °C / +73.4 °F

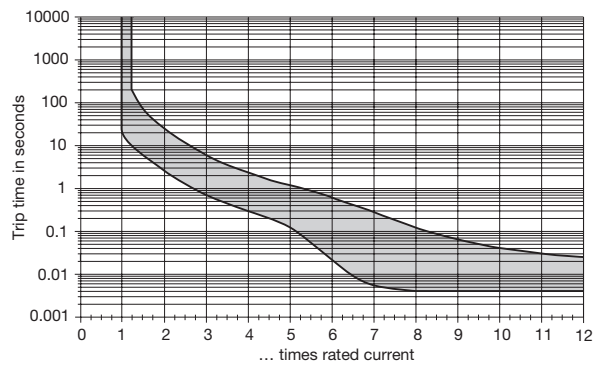
**Curve M1 (medium delay) for DC**



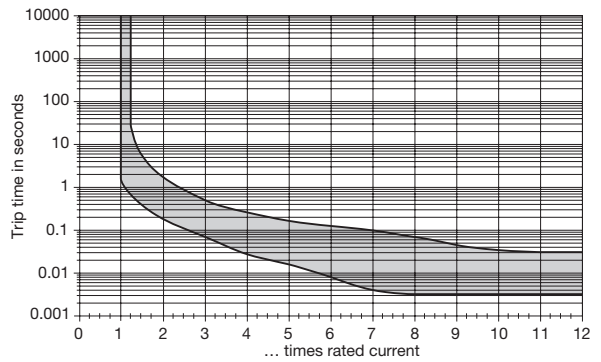
**Curve K1 (short delay) for DC**



**Curve M2 (medium delay) for AC 50/60 Hz**



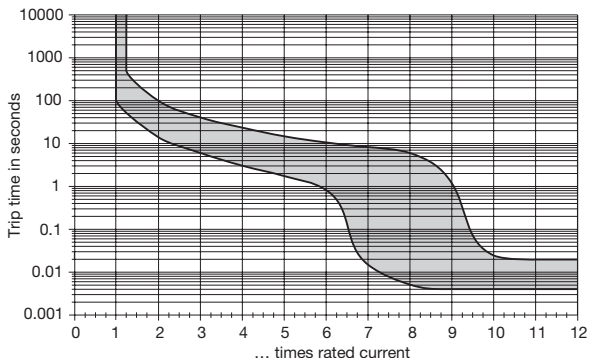
**Curve K2 (short delay) for AC 50/60 Hz**



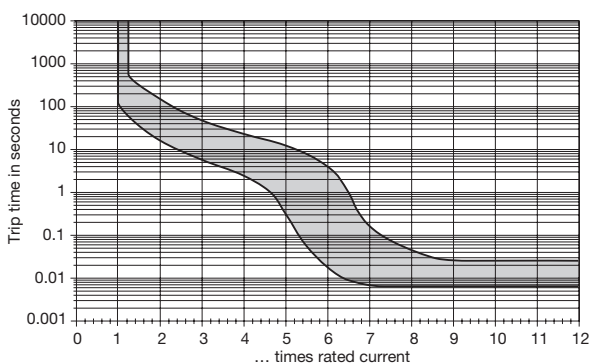
**N.B.** All curves will only be maintained if the escutcheon is mounted on a vertical surface.  
**Other characteristic curves to special order (e. g. with impulse delay for inrush peaks).**

Typical time/current characteristics at 23 °C / +73.4 °F

Curve T1 (long delay) for DC



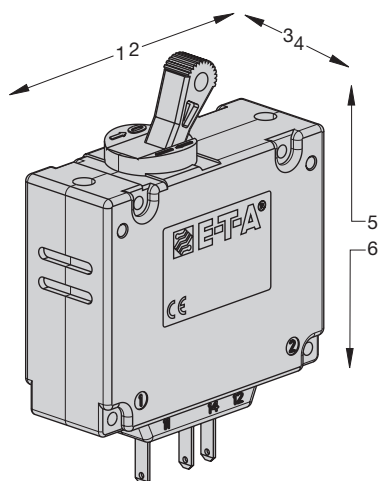
Curve T2 (long delay) for AC 50/60 Hz



**N.B.** All curves will only be maintained if the escutcheon is mounted on a vertical surface.

**Other characteristic curves to special order (e. g. with impulse delay for inrush peaks).**

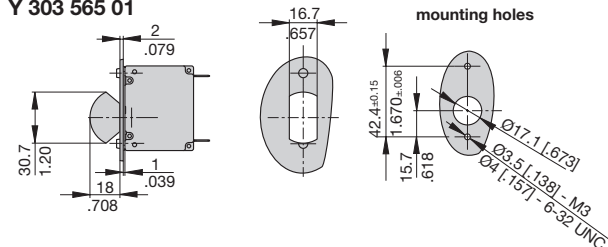
Shock directions / Mounting attitudes



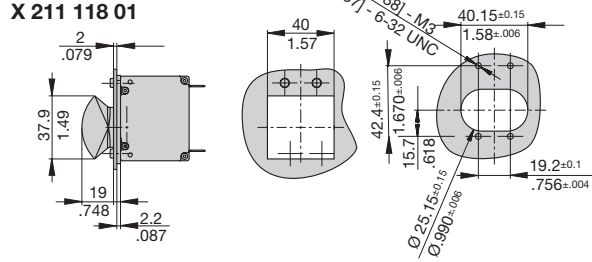
Accessories

Splash cover with mounting plate and screws

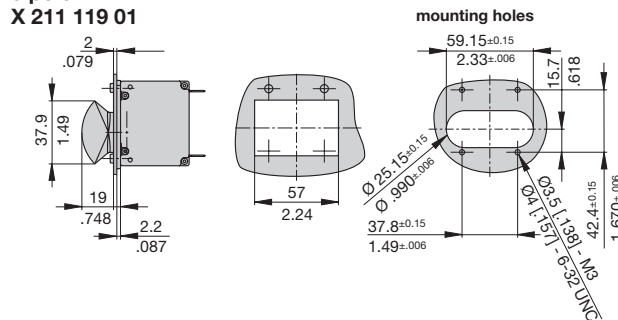
1 pole  
Y 303 565 01



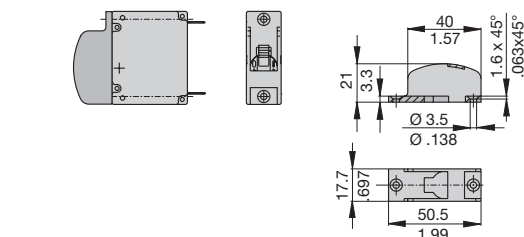
2 pole  
X 211 118 01



3 pole  
X 211 119 01



Toggle guard  
Y 307 250 01



This is a metric design and millimeter dimensions take precedence (mm/inch)

All dimensions without tolerances are for reference only. In the interest of improved design, performance and cost effectiveness the right to make changes in these specifications without notice is reserved. Product markings may not be exactly as the ordering codes. Errors and omissions excepted.

## X-ON Electronics

Largest Supplier of Electrical and Electronic Components

*Click to view similar products for [Circuit Breakers](#) category:*

*Click to view products by [ETA](#) manufacturer:*

Other Similar products are found below :

[M39019/04-249S](#) [M39019/04-313S](#) [M55629/1-001](#) [M55629/1-016](#) [M55629/1-018](#) [M55629/1-021](#) [M55629/1-033](#) [M55629/1-036](#) [M55629/1-046](#) [M55629/1-048](#) [M55629/1-058](#) [M55629/1-060](#) [M55629/1-067](#) [M55629/1-070](#) [M55629/1-079](#) [M55629/1-084](#) [M55629/1-085](#) [M55629/1-101](#) [M55629/1-108](#) [M55629/1-109](#) [M55629/11-102](#) [M55629/1-120](#) [M55629/12-045](#) [M55629/12-046](#) [M55629/1-243](#) [M55629/1-330](#) [M55629/1-331](#) [M55629/1-351](#) [M55629/1-366](#) [M55629/1-387](#) [M55629/1-388](#) [M55629/1-401](#) [M55629/1-430](#) [M55629/1-450](#) [M55629/1-453](#) [M55629/2-022](#) [M55629/2-037](#) [M55629/2-082](#) [M55629/2-099](#) [M55629/2-101](#) [M55629/2-102](#) [M55629/2-115](#) [M55629/2-116](#) [M55629/2-183](#) [M55629/21-HM-HM](#) [M55629/21-NS-NS](#) [M55629/21-SK-UK](#) [M55629/22-NR-NR-NR](#) [M55629/22-RS-RS-RS](#) [M55629/22-TM-TM-TM](#)