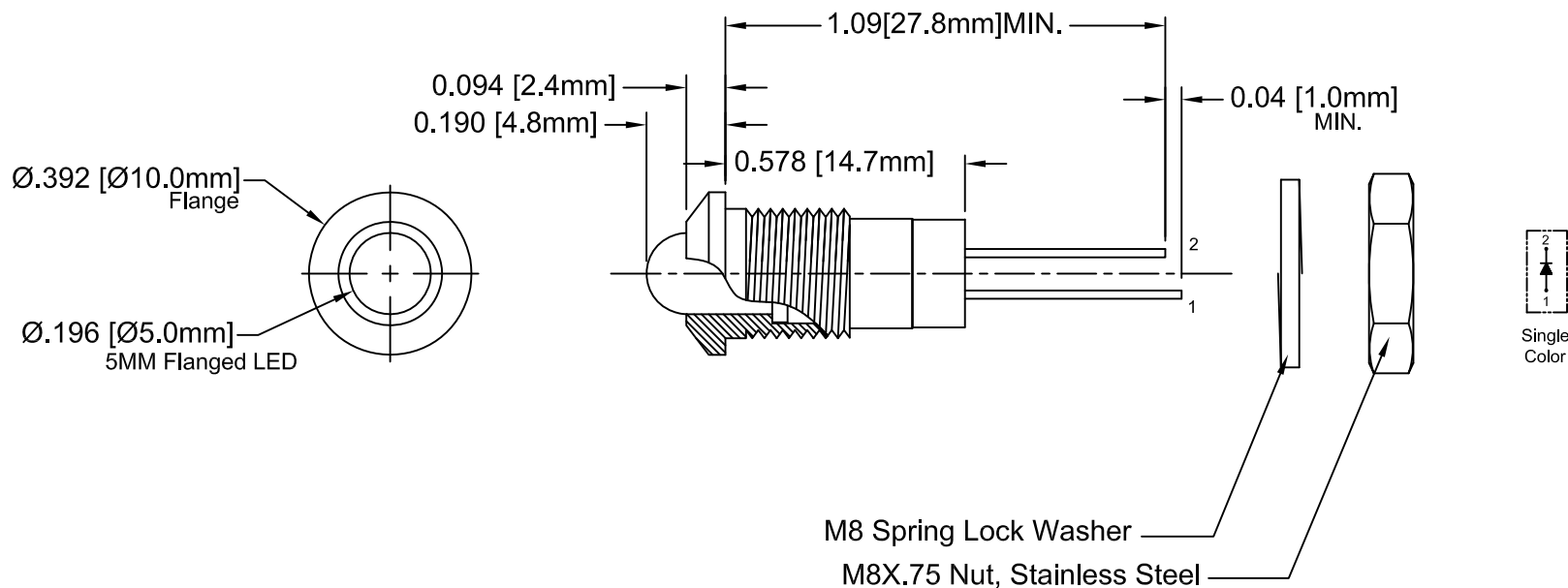
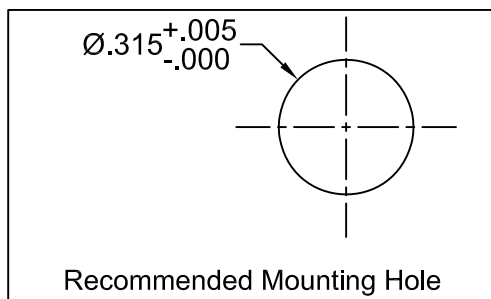


571 Series



(Mounting Hardware included, packed separately)

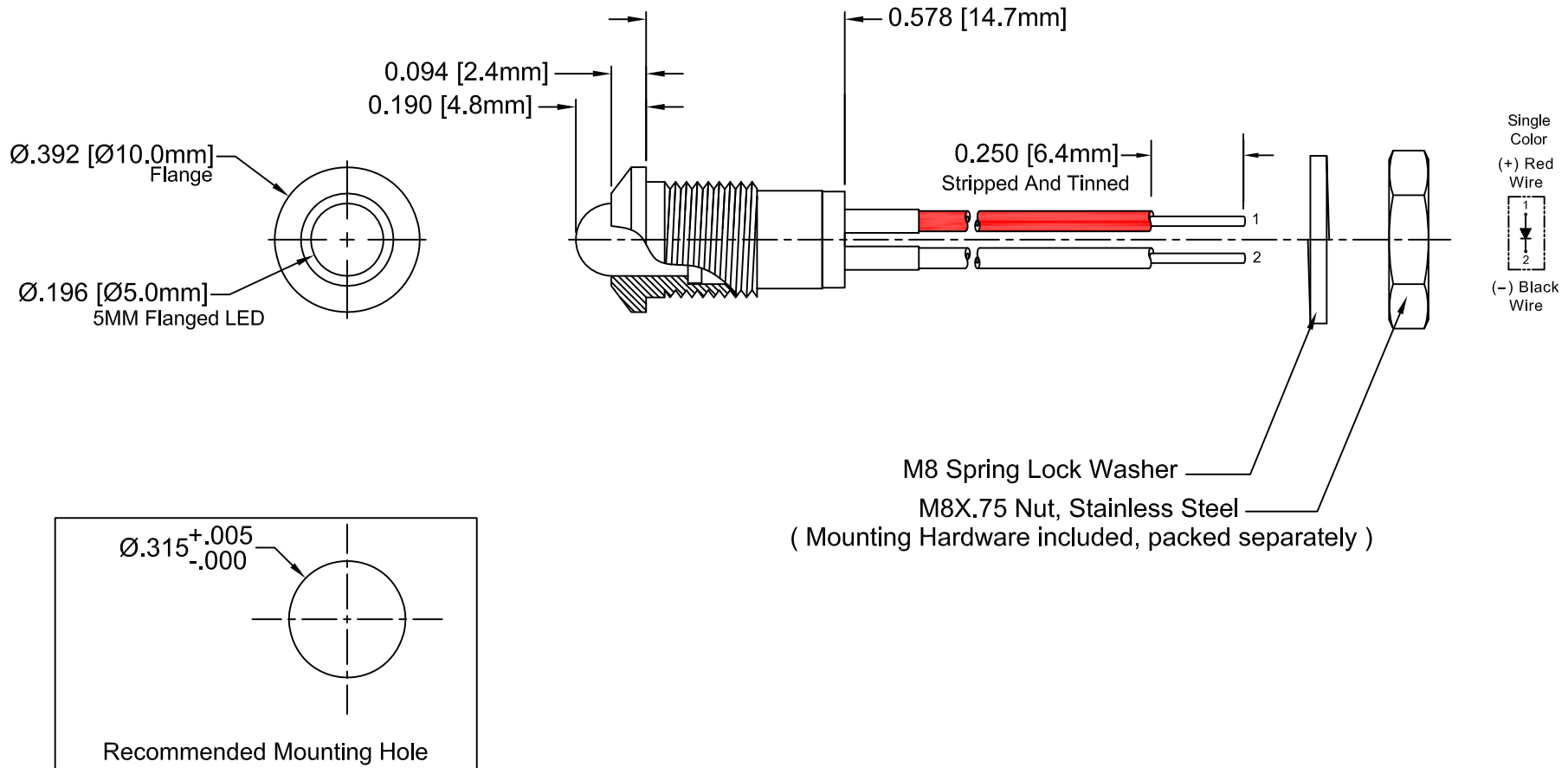


ABSOLUTE MAXIMUM RATINGS (Ta = 25°C)

REVERSE VOLTAGE	5V
REVERSE CURRENT (VR=5V)	100µA
OPERATING TEMPERATURE RANGE	-40°C ~ 85°C
STORAGE TEMPERATURE	-40°C ~ 100°C
LEAD SOLDERING TEMPERATURE (1/16" FROM BODY)	260°C for 5 Seconds

STANDARD TOLERANCE (UNLESS OTHERWISE SPECIFIED)		MARL	MARL BUSINESS PARK, ULVERSTON, UK. LA12 9BN Tel: +44 (0)1229 582 430. Web: www.leds.co.uk
DECIMALS	ANGULAR		
.X ± .1	X° ± 1°		
.XX ± .02		⊕ □	TITLE: Std Metal Panel Mount Indicator
.XXX ± .010			PART NO: 571 Series
Provisional		SHEET # 1 OF 3	
<small>CAD GENERATED DOCUMENT, DO NOT MEASURE DRAWING.</small>			

571 Series (Flying Leads version)





ABSOLUTE MAXIMUM RATINGS ($T_a = 25^\circ\text{C}$)

REVERSE VOLTAGE	_____	5V
REVERSE CURRENT ($V_R=5\text{V}$)	_____	$100\mu\text{A}$
OPERATING TEMPERATURE RANGE	_____	$-25^\circ\text{C} \sim 85^\circ\text{C}$
STORAGE TEMPERATURE	_____	$-30^\circ\text{C} \sim 100^\circ\text{C}$
LEAD SOLDERING TEMPERATURE (1/16" FROM BODY)	_____	260°C for 5 Seconds

STANDARD TOLERANCE (UNLESS OTHERWISE SPECIFIED)		MARL	MARL BUSINESS PARK, ULVERSTON, UK. LA12 9BN Tel: +44 (0)1229 582 430. Web: www.leds.co.uk
DECIMALS	ANGULAR		
.X $\pm .1$	$X^\circ \pm 1^\circ$		
.XX $\pm .02$			TITLE: Std Metal Panel Mount Indicator
.XXX $\pm .010$			PART NO: 571 Series
Provisional		SHEET # 2 OF 3	
CAD GENERATED DOCUMENT, DO NOT MEASURE DRAWING.			

Marl Part No.	Chip			Lens Appearance	Electro-Optical Data @20mA				Viewing Angle 2 Ø 1/2 (Deg)	LED P/N	Termination
	Material	Peak Wave Length	Emitted Colour		If (mA)	Vf (V)		Iv (mcd)			
						MAX	TYP				
571-520-04	GaN/SiC	430	BLUE	DIFFUSED	25	4	4.5	15	45	520	PINS
571-520-04-40											12IN FLYING LEADS
571-514-04	GaP/GaP	568	GREEN	DIFFUSED	30	2.1	2.8	25	45	514	PINS
571-514-04-40											12IN FLYING LEADS
571-502-04	GaAsP/GaP	625	HE RED	DIFFUSED	30	2	2.8	25	45	502	PINS
571-502-04-40											12IN FLYING LEADS
571-505-04	GaP/GaP	700	RED	DIFFUSED	20	2.1	2.8	2	45	505	PINS
571-505-04-40											12IN FLYING LEADS
571-511-04	GaAsP/GaP	590	YELLOW	DIFFUSED	30	2	2.8	25	45	511	PINS
571-511-04-40											12IN FLYING LEADS

STANDARD TOLERANCE (UNLESS OTHERWISE SPECIFIED)			MARL BUSINESS PARK, ULVERSTON, UK. LA12 9BN Tel: +44 (0)1229 582 430. Web: www.leds.co.uk
DECIMALS	ANGULAR		
.X ± .1	X° ± 1°		TITLE: Std Metal Panel Mount Indicator
.XX ± .02			PART NO: 571 Series
.XXX ± .010			SHEET # 3 OF 3
Provisional		CAD GENERATED DOCUMENT, DO NOT MEASURE DRAWING.	

X-ON Electronics

Largest Supplier of Electrical and Electronic Components

Click to view similar products for [marl](#) manufacturer:

Other Similar products are found below :

[512-532-22](#) [512-532-23](#) [514-114-76](#) [661-508-64-40](#) [651-102-76](#) [671-066-75](#) [352-509-04](#) [352-505-04](#) [205-997-22-38](#) [524-521-21](#) [677-521-23-Y](#) [512-521-21](#) [671-064-75](#) [677-930-21-19](#) [209-521-23-38](#) [520-325-23](#) [651-114-21](#) [690-997-66](#) [508-930-22](#) [671-062-75](#) [525-095-21-50](#) [512-501-75](#) [531-532-63](#) [524-501-21](#) [514-111-75](#) [508-521-21](#) [520-324-23](#) [215-532-23-38](#) [671-063-23](#) [671-066-23](#) [215-532-76-38](#) [604-998-23](#) [662-303-04](#) [690-521-66](#) [671-064-23](#) [215-521-23-38](#) [677-501-22-R](#) [677-532-21-19](#) [698-532-63](#) [570-320-04-40](#) [514-105-22](#) [512-501-22](#) [570-314-04-40](#) [528-532-22](#) [528-521-22](#) [512-997-22](#) [660-320-64-40](#) [528-501-21](#) [671-290-22](#) [572-314-04](#)