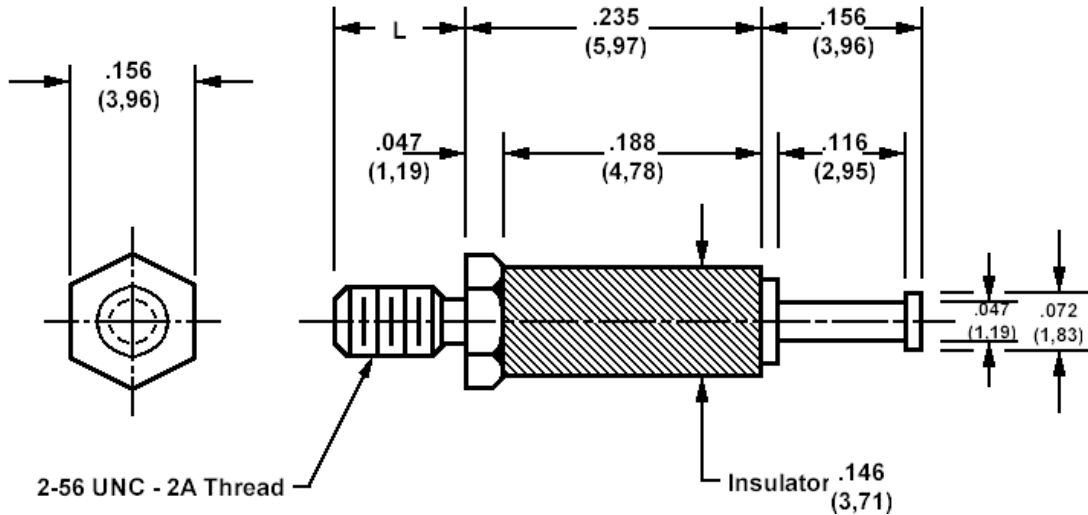


572-4870 Insulated solder terminal, Turreted



How to order code

572-4870-XX-YY-16

Basic Part No (XX = thread length, YY = plating finish. See tables for options)

Basic Part No.	XX	L
572-4870	-01	.125 (3,18)
	-02	.188 (4,78)
	-03	.250 (6,35)

Component	Material	Finish (YY)	
		-01	-05
Terminal	Brass	Silver	Electro Solder
Stud	Brass	Cadmium (plus chromate)	Cadmium (plus chromate)
Insulator	Diallyl Phthalate (blue)		

Additional Specifications	
Dielectric Withstanding Voltage (VRMS)	3000

X-ON Electronics

Largest Supplier of Electrical and Electronic Components

Click to view similar products for [wearnes cambion manufacturer](#):

Other Similar products are found below :

[570-1990-01-01-00](#) [450-3888-01-04-00](#) [450-3704-01-06-00](#) [570-1503-01-05-19](#) [570-1504-01-05-19](#) [570-1994-02-01-00](#) [460-3299-03-03-00](#)
[160-2085-02-01-00](#) [570-1511-01-01-19](#) [460-2970-03-04-00](#) [570-3648-02-01-00](#) [450-8340-01-06-00](#) [570-2045-01-01-00](#) [450-3422-01-06-00](#)
[572-4826-01-05-16](#) [461-2872-01-03-12](#) [450-8325-01-06-00](#) [450-3367-01-04-00](#) [570-2641-01-01-19](#) [461-2871-01-03-12](#) [571-4182-03-01-19](#)
[572-4810-01-05-16](#) [160-2034-02-01-00](#) [160-2027-02-01-00](#) [160-1512-02-01-00](#) [460-8250-01-04-00](#) [571-4015-01-01-19](#) [160-1245-02-01-00](#)
[160-1797-02-01-00](#) [460-2970-02-03-00](#) [450-4352-01-03-10](#) [140-2089-02-01-00](#) [160-1724-02-01-00](#) [572-4814-01-05-16](#) [160-1026-02-01-00](#)
[460-2970-02-04-00](#) [160-1558-02-01-00](#) [160-3653-02-01-00](#) [140-1785-02-01-00](#) [450-3326-01-03-00](#)