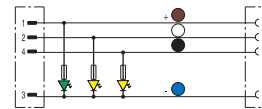
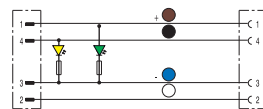
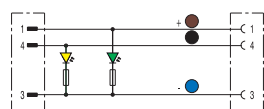
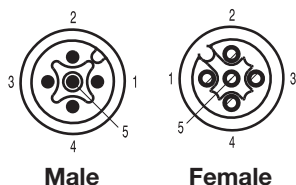


**Connecting cables**  
**M12 to M12, LED**  
**A-coded**  
**male, straight -**  
**female, angled**



**Ordering data**

Male, straight - Female, angled	
PVC	1.5 m
PUR	1.5 m
PUR halogen-free	1.5 m
PUR halogen-free yellow	1.5 m
Resistant to welding beads	1.5 m
<b>Note</b>	

**2 LEDs**

**3-pole**

Type	Order No.
SAIL-M12GM12W-3L1.5V	<b>1925410150</b>
SAIL-M12GM12W-3L1.5U	<b>9457790150</b>
SAIL-M12GM12W-3L1.5Q	<b>1926600150</b>
SAIL-M12GM12W-3L1.5T	<b>1004320150</b>
Other versions on request	

**2 LEDs**

**4-pole**

Type	Order No.
SAIL-M12GM12W-4-2L1.5V	<b>1925420150</b>
SAIL-M12GM12W-4-2L1.5U	<b>1906410150</b>
SAIL-M12GM12W-4-2L1.5Q	<b>1926610150</b>
SAIL-M12GM12W-4-2L1.5T	<b>1004310150</b>
Other versions on request	

**3 LEDs**

**4-pole**

Type	Order No.
SAIL-M12GM12W-4-3L1.5V	<b>1963930150</b>
SAIL-M12GM12W-4-3L1.5U	<b>1963910150</b>
SAIL-M12GM12W-4-3L1.5Q	<b>1232810150</b>
SAIL-M12GM12W-4-3LW1.5QGE	<b>1093060150</b>
SAIL-M12GM12W-4-3LW1.5T	<b>1020930150</b>
Other versions on request	

**Standard cable lengths**

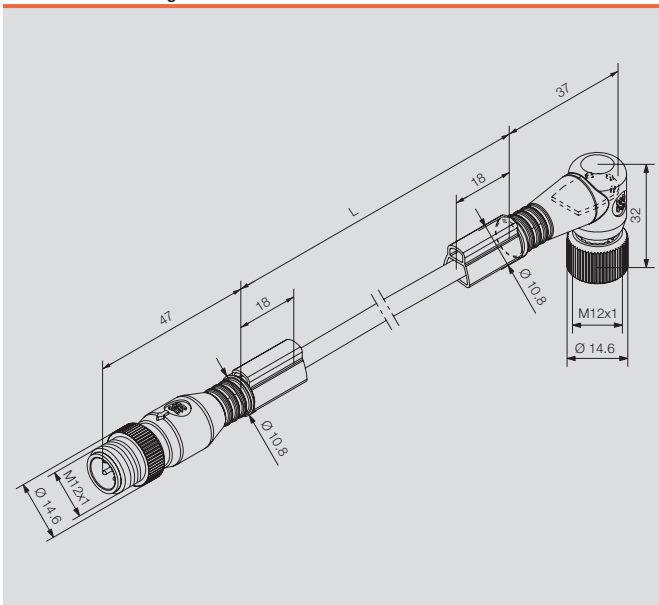
All cables listed under the ordering data have a length of 1.5 metres. The last four ordering digits must be changed when ordering other standard cable lengths.	1.5 m	xxxxx0150
	3.0 m	xxxxx0300
	5.0 m	xxxxx0500
	10.0 m	xxxxx1000

**Technical data**

Rated current	4 A
Protection class	IP 67
Core cross-section	0.34 mm <sup>2</sup>
Contact surface	gold-plated
Temperature range of housing	-25...+85 °C
Rated voltage	250 V (3- and 4-pole) / 125 V (5-pole)
(acc. to VDE standard 0110 ISO group C)	

Chapter W includes additional technical specifications for the cable

**Dimensioned drawing**



## X-ON Electronics

Largest Supplier of Electrical and Electronic Components

*Click to view similar products for [weidmuller](#) manufacturer:*

Other Similar products are found below :

[56956](#) [0133660000](#) [68676](#) [69718](#) [EXO24CH](#) [7940000218](#) [8005181001](#) [8008180000](#) [8432240000](#) [8463580000](#) [8545830000](#) [8689870000](#)  
[8705640000](#) [9001080000](#) [9003720000](#) [9004250000](#) [9004780000](#) [9013260000](#) [9014100000](#) [9019040000](#) [9026010000](#) [9028630000](#) [903708](#)  
[9037350000](#) [9046290000](#) [9129643500](#) [913155](#) [919656](#) [919764](#) [9202230000](#) [9202850000](#) [9204260000](#) [9456750000](#) [9457913000](#) [980811](#)  
[980826](#) [9912800003](#) [9916080000](#) [9916280012](#) [9918380000](#) [9919371224](#) [9925710000](#) [9926252005](#) [9927480024](#) [1166660000](#) [11751](#)  
[1222550000](#) [ACT20X-2HDI-2SDO-RNC-S](#) [ACT20X-HUI-SAO-S](#) [ACT20X-SAI-HAO-S](#)