

Connectors for Mini ISO Relays

Connectors in 3 different versions

■ PCB Socket

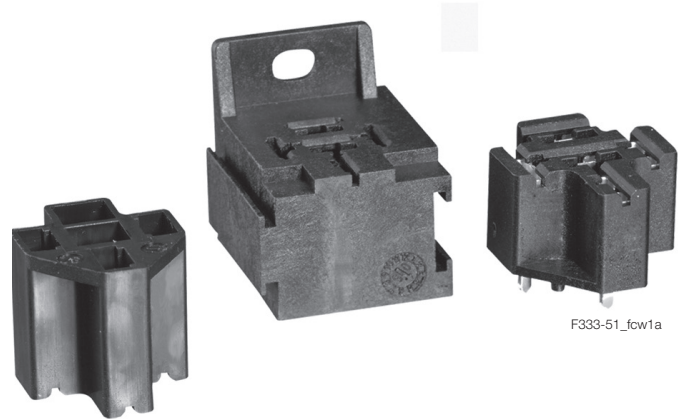
With the solderable connector Mini ISO relays with plug-in terminals can be mounted on leadframes. This allows easy and reasonable replacement in case of service.

■ Connector

5 pole connector with snap-in pin to lock in frame.

■ Connector with mounting flap

5 pole connector that can be mounted individually or interlocked. The connector has a snap-in pin to lock in frame. The mounting bracket also allows screw-on. The mounting bracket also allows screw-on.



F333-51\_fcw1a

Technical Data

Weight	
PCB socket	approx. 7.0g (0.25oz)
Connector	approx. 3.9g (0.14oz)
Connector with mounting flap	approx. 20.6g (0.73oz)
Storage conditions according to IEC600688 <sup>1)</sup>	
Packaging/unit	
PCB socket (V23333-Z0002-B041)	500 pcs.
Connector (V23333-Z0001-A007)	500 pcs.
Connector with mounting flap (V23333-Z1001-A008)	200 pcs.

<sup>1)</sup> For general storage and processing recommendations please refer to the Application Notes and especially to storage in our Definitions or at <http://relays.te.com/appnotes/>

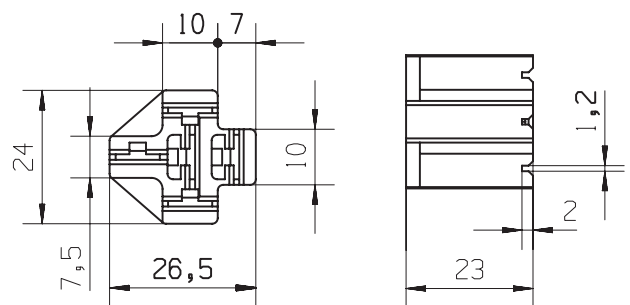
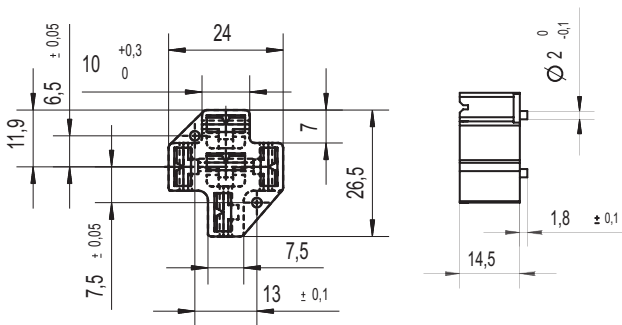
Dimensions

PCB socket V23333-Z0002-A041

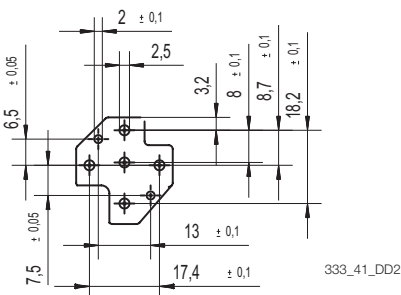
Mounting recommendation: to keep insertion force away from the PCB the soldering of the socket to the PCB should be done with already inserted relay.

Connector V23333-Z0001-A007

Terminals to be ordered separately.



333\_7\_DD2

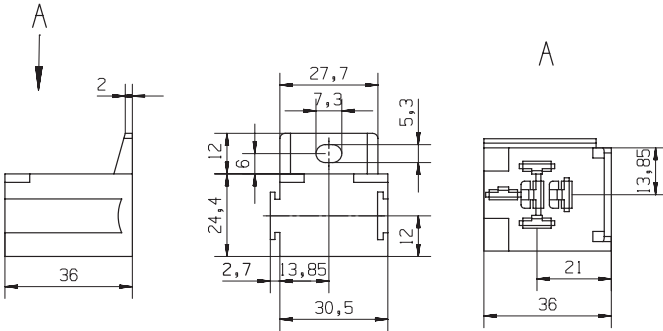


333\_41\_DD2

Connectors for Mini ISO Relays

**Connector with mounting flap V23333-Z1001-A008**

To be mounted individually or can be interlocked.  
Terminals to be ordered separately.



333\_8\_DD2

Part numbers for connectors		Selection of fitting crimp terminals <sup>2)</sup> (Ph. bronze tin plated) <sup>3)</sup>							
Product code	Part number	Terminal size	Wire mm <sup>2</sup>	Use for	Quantity required		Use in cavities		Part number for crimp terminals
					Form A	Form C	Form A	Form C	
V23333-Z0002-A041	2-1904045-4	-	-	-	-	-	-	-	-
V23333-Z0001-A007	1-1904045-1	6.3 x 0.8 6.3 x 0.8	0.5 - 1.5 1.0 - 2.5	Coil Load	2 2	2 3	1 and 2 3 and 5	1 and 2 3,4 and 5	5-160526-9 160927-4
V23333-Z1001-A008	1-1904045-2	6.3 x 0.8 6.3 x 0.8	0.5 - 1.5 1.0 - 2.5	Coil Load	2 2	2 3	1 and 2 3 and 5	1 and 2 3,4 and 5	5-160526-9 160927-4

2) Crimp terminals to be ordered separately.

3) Mentioned crimp terminals are delivered in strip-form, loose pieces and hand tool available on request.

## X-ON Electronics

Largest Supplier of Electrical and Electronic Components

*Click to view similar products for te connectivity manufacturer:*

Other Similar products are found below :

[570416-000](#) [CLTEQ-M81CE-SSRELAY-4-20V](#) [4-1633138-8](#) [D38999/24FJ4AN](#) [4-1195131-0](#) [650069-000](#) [SMD100-2](#) [2EDL4CM](#)  
[DTS20W19-11PD-3028](#) [DTS20W19-11PD-3028-LC](#) [DTS20W19-32SD-3028-LC](#) [DTS20W19-32SD-3028](#) [NC6-P104-06](#) [TXR64AB90-](#)  
[3616AI](#) [DTS26F21-41HE](#) [DTS26F21-41AE](#) [DTS26F21-41PE-LC](#) [DTS26F21-11SE-3028-LC](#) [D38999/24WF32JE](#) [D38999/24WF32SE-LC](#)  
[DTS24W19-32HE](#) [5-2027513-8](#) [D38999/20JB35HA](#) [D38999/24WJ20PA](#) [164-8033-08](#) [D38999/24FF32JE](#) [D38999/24FF32SE-LC](#)  
[D38999/24WF32JB](#) [D38999/24WG11HA](#) [D38999/24WG11HN](#) [MS27467T21F11H](#) [DJT16E21-11HA](#) [DTS24F19-32HE](#) [1-532955-3](#)  
[DTS20W19-32SA-3028-LC](#) [DTS24F19-11SC-3028-LC](#) [DTS24F19-11SC-3028](#) [DJT14E13-98HB](#) [D38999/20WC8BB](#) [1-330599-5](#)  
[DTS24F21-41HN-LC](#) [DTS24F21-41HN](#) [DTS24F21-41AN](#) [DTS24F21-39HN](#) [DTS24F21-41PN-LC](#) [AFD50-10-6SN-1A-LC](#) [DBAS 70-7-0](#)  
[SN 090-1A SCC](#) [DJT10F17-26HC](#) [DTS24W19-32HB](#) [ACT20JE99HA](#)