



# LABFACILITY

## TEMPERATURE & PROCESS TECHNOLOGY

### About Labfacility

Formed in 1971, Labfacility specialize in the field of Temperature and Process Measurement.

We are the largest UK manufacturer of both temperature sensors and thermocouple connectors

### Quality & Service

Quality and Service are key elements in the continued growth of Labfacility.

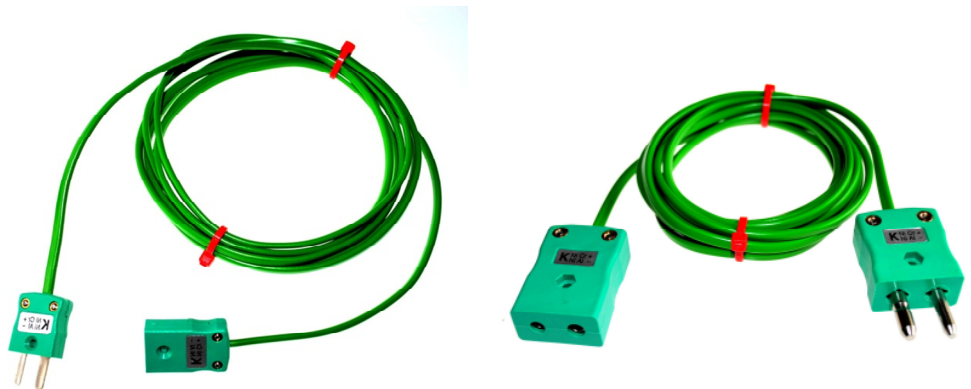
Technical support is always freely available from our experienced technical sales teams and the company has ISO9001 accreditation.

### Contact Details

Email  
sales@labfacility.com

Website  
www.labfacility.com

## IEC Thermocouple Extension Leads with Miniature or Standard Connectors



### Specifications

- Cable Construction:** Single pair 7/0.2  
PVC insulated cable / wire  
Laid flat, side by side & PVC sheathed  
Tolerance class 2  
Insulation rating -10 to 105°C  
IEC colour coded
- Miniature Connectors:** Miniature connector with flat plug pins  
Miniature socket with thermocouple contacts  
Contacts are polarised to prevent incorrect connection  
Max temperature 220°C  
IEC colour coded
- Standard Connectors:** Standard connector with solid, round plug pins  
Standard socket with thermocouple contacts  
Suitable for industrial applications  
contacts are polarised to prevent incorrect connection  
Max temperature 220°C  
IEC colour coded

# LABFACILITY

## TEMPERATURE & PROCESS TECHNOLOGY

### About Labfacility

Formed in 1971, Labfacility specialize in the field of Temperature and Process Measurement.

We are the largest UK manufacturer of both temperature sensors and thermocouple connectors.

### Quality & Service

Quality and Service are key elements in the continued growth of Labfacility.

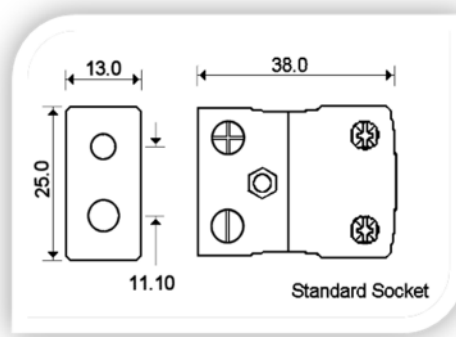
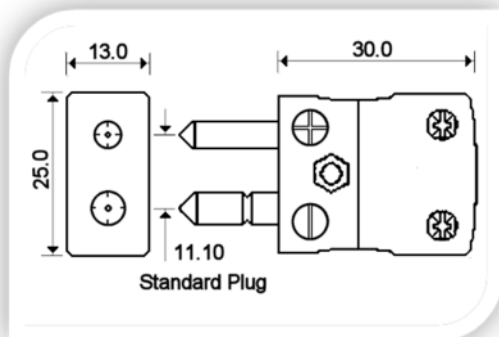
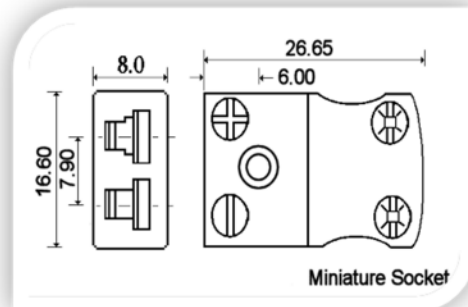
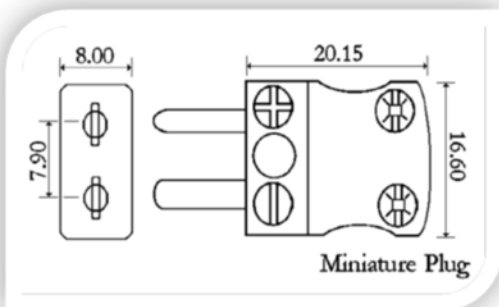
Technical support is always freely available from our experienced technical sales teams and the company has ISO9001 accreditation.

### Contact Details

Email  
sales@labfacility.com

Website  
www.labfacility.com

Type	Length	Connector	Manufactures Part No.	Farnell Order Number
K	2 metre	Miniature	EXT-K-C1-2.0-MP-MS	242-0256
K	5 metre	Miniature	EXT-K-C1-5.0-MP-MS	242-0257
K	10 metre	Miniature	EXT-K-C1-10.0-MP-MS	242-0258
K	2 metre	Standard	EXT-K-C1-2.0-SP-SS	242-0261
K	5 metre	Standard	EXT-K-C1-5.0-SP-SS	242-0262



## X-ON Electronics

Largest Supplier of Electrical and Electronic Components

*Click to view similar products for [Board Mount Temperature Sensors](#) category:*

*Click to view products by [Labfacility](#) manufacturer:*

Other Similar products are found below :

[5962-8757102XA](#) [66F115](#) [MCP9808-EMS](#) [MCP98242T-BEMNY](#) [MCP9843T-BEMC](#) [EMC1063-1-ACZL-TR](#) [NCT218FCT2G](#)  
[O53GAB175A-160Y](#) [OH10/62,112](#) [3610085020002](#) [389049M9527](#) [TC622EAT](#) [TC6501P095VCTTR](#) [TC6501P105VCTTR](#)  
[TC6501P125VCTTR](#) [MCP9802A0T-M/OT](#) [MCP9803T-M/SN](#) [MCP9843-BEST](#) [TC6501P115VCTTR](#) [TC6502P065VCTTR](#)  
[ADM1023ARQZ-REEL](#) [ADM1024ARUZ-REEL](#) [ADM1032ARMZ-1RL](#) [AT30TS74-U1FMBB-T](#) [AT30TS74-U1FMAB-T](#) [AT30TS74-](#)  
[U1FMCB-T](#) [AT30TS74-U1FMDB-T](#) [ADT7483AARQZ-RL](#) [ADT7481ARMZ-REEL](#) [ADT7463ARQZ-REEL](#) [MCP98243T-BEMNY](#)  
[MCP98243T-BE/MC](#) [66L080-0226](#) [MAX31820MCR+T](#) [MAX1452CAEC8H](#) [DS1780E](#) [TMP05BKSZ-REEL7](#) [5962-8757103XA](#) [WTK-14-](#)  
[36/N](#) [E52-CA6D-N 4M](#) [MCP98244T-BEMNY](#) [MCP9802A5T-MOT](#) [MAX6581TG9A+T](#) [DS75S-C11+T&R](#) [S-58LM20A-I4T1U](#)  
[MAX6501UKP120+T](#) [MCP98243T-BE/ST](#) [AT30TS01-MAA5M-T](#) [NCT375DR2G](#) [DS18S20-SL+T&R](#)