

 **LABFACILITY**
TEMPERATURE & PROCESS TECHNOLOGY**About Labfacility**

Formed in 1971, Labfacility specialize in the field of Temperature and Process Measurement.

We are the largest UK manufacturer of both temperature sensors and thermocouple connectors

Quality & Service

Quality and Service are key elements in the continued growth of Labfacility.

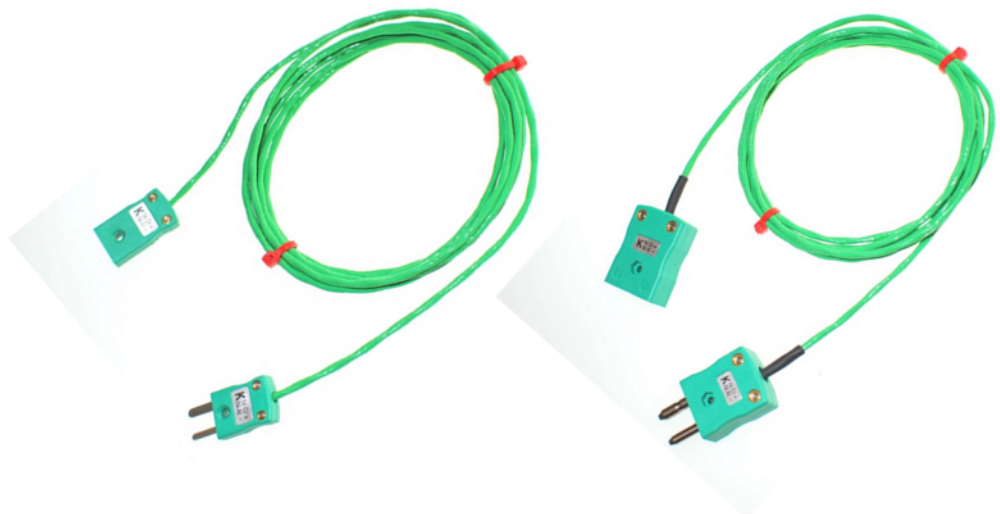
Technical support is always freely available from our experienced technical sales teams and the company has ISO9001 accreditation.

Contact Details

Email
sales@labfacility.com

Website
www.labfacility.com

IEC Thermocouple Extension Leads, PFA/SSOB/PFA Fitted with plug & socket

**Cable Description**

- ◆ PFA insulated & screened
- ◆ Twisted cores & screened construction for reduced electrical noise
- ◆ Conductors PVC insulated and twisted together, stainless steel braided screen, overall PFA sheath
- ◆ Good mechanical strength and flexibility, resistant to oils, acids and other adverse fluids
- ◆ Thermocouple extension types for K
- ◆ Stranded 7/0.2mm conductors
- ◆ Available in 2 & 5 metre lengths
- ◆ Insulation rating -75°C to 260°C
- ◆ Colour code (cores & jacket) to IEC-584

Connector Description

- ◆ Ideal for general purpose use
- ◆ All contacts are polarised to ensure correct connection
- ◆ Colour coded in accordance with IEC specification
- ◆ Maximum continuous operating temperature 220 deg°C

LABFACILITY

TEMPERATURE & PROCESS TECHNOLOGY

About Labfacility

Formed in 1971, Labfacility specialize in the field of Temperature and Process Measurement.

We are the largest UK manufacturer of both temperature sensors and thermocouple connectors.

Quality & Service

Quality and Service are key elements in the continued growth of Labfacility.

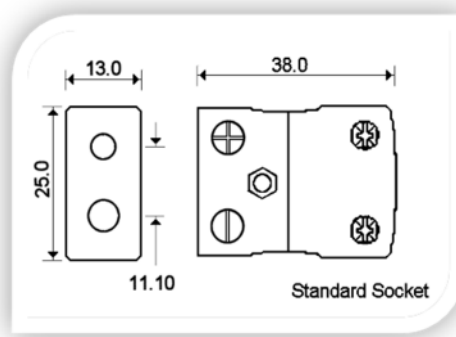
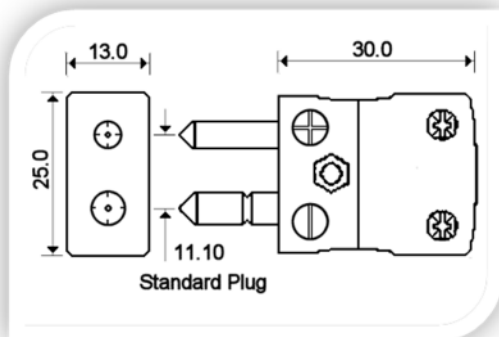
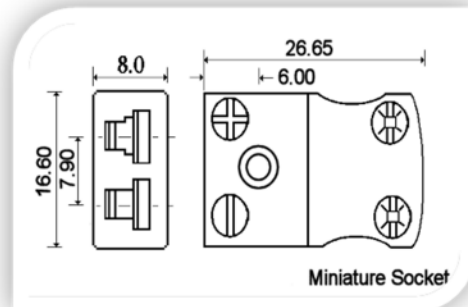
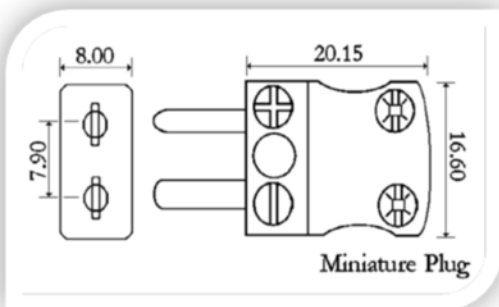
Technical support is always freely available from our experienced technical sales teams and the company has ISO9001 accreditation.

Contact Details

Email
sales@labfacility.com

Website
www.labfacility.com

Type	Length	Connector	Manufactures Part No.	Farnell Order Number
K	2 metre	Miniature	EXT-K-C85-2.0-MP-MS	242-0312
K	5 metre	Miniature	EXT-K-C85-5.0-MP-MS	242-0313
K	2 metre	Standard	EXT-K-C85-2.0-SP-SS	242-0316
K	5 metre	Standard	EXT-K-C85-5.0-SP-SS	242-0315



X-ON Electronics

Largest Supplier of Electrical and Electronic Components

Click to view similar products for [Board Mount Temperature Sensors](#) category:

Click to view products by [Labfacility](#) manufacturer:

Other Similar products are found below :

[5962-8757102XA](#) [66F115](#) [MCP9808-EMS](#) [MCP98242T-BEMNY](#) [MCP9843T-BEMC](#) [EMC1063-1-ACZL-TR](#) [NCT218FCT2G](#)
[O53GAB175A-160Y](#) [OH10/62,112](#) [3610085020002](#) [389049M9527](#) [TC622EAT](#) [TC6501P095VCTTR](#) [TC6501P105VCTTR](#)
[TC6501P125VCTTR](#) [MCP9802A0T-M/OT](#) [MCP9803T-M/SN](#) [MCP9843-BEST](#) [TC6501P115VCTTR](#) [TC6502P065VCTTR](#)
[ADM1023ARQZ-REEL](#) [ADM1024ARUZ-REEL](#) [ADM1032ARMZ-1RL](#) [AT30TS74-U1FMBB-T](#) [AT30TS74-U1FMAB-T](#) [AT30TS74-](#)
[U1FMCB-T](#) [AT30TS74-U1FMDB-T](#) [ADT7483AARQZ-RL](#) [ADT7481ARMZ-REEL](#) [ADT7463ARQZ-REEL](#) [MCP98243T-BEMNY](#)
[MCP98243T-BE/MC](#) [66L080-0226](#) [MAX31820MCR+T](#) [MAX1452CAEC8H](#) [DS1780E](#) [TMP05BKSZ-REEL7](#) [5962-8757103XA](#) [WTK-14-](#)
[36/N](#) [E52-CA6D-N 4M](#) [MCP98244T-BEMNY](#) [MCP9802A5T-MOT](#) [MAX6581TG9A+T](#) [DS75S-C11+T&R](#) [S-58LM20A-I4T1U](#)
[MAX6501UKP120+T](#) [MCP98243T-BE/ST](#) [AT30TS01-MAA5M-T](#) [NCT375DR2G](#) [DS18S20-SL+T&R](#)