



main menue



- home
- products
- skills
- download
- online catalogue T&M
- clamp-type test probes
- crocodile clips
- test probes
- oscilloscope test probes
- measuring leads
- plugs
- sockets
 - ▶ 2 mm system
 - ▶ 2 mm safety system
 - ▶ 4 mm system
 - ▶ 4 mm safety system
- sets
- miscellaneous
- company
 - portrait
 - corporate association
 - location maps
 - fairs and exhibitions
 - jobs
 - imprint
 - terms and conditions

Home ▶ sockets ▶ sockets ▶ MPB 1

MPB 1

datasheet for MPB 1
article number: 930224101



[View Full-Size Image](#)



search online catalogue

Search

Messetermine

electronica
13. 11. 2012 - 16. 11. 2012

SPS/IPC/DRIVES
27. 11. 2012 - 29. 11. 2012

Newsletter Anmeldung

Test & Measurement

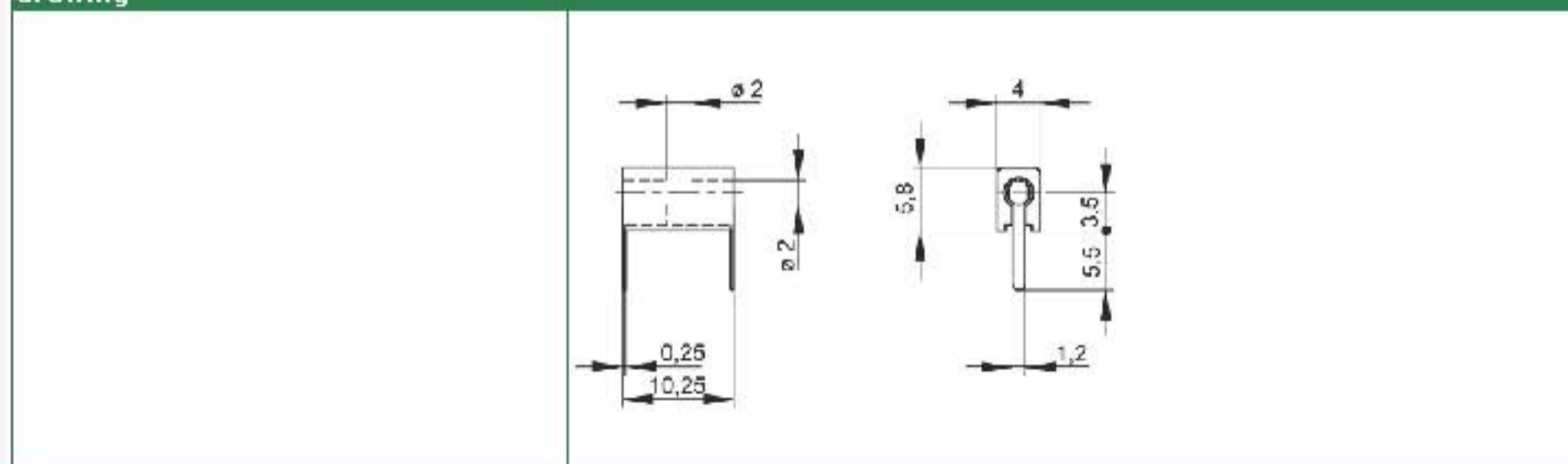
First Name Name

E-mail

QR-Code



product description:	order number: 930 224-101
description:	2 mm diameter miniature test socket, dimensions complying with DIN 41 649. Suitable for measuring and testing printed circuits during operation. Tin-plated sprung bronze contact spring. Test socket with horizontal and vertical connections.
typ:	MPB 1 rot/red
system:	2mm system
order number:	930 224-101
color:	
other color versions:	
technical data	
measurement category acc. to IEC 61010:	CAT I
type of contact:	socket (unsprung)
type of termination:	solder
rated voltage:	30 VAC / 60 VDC
rated current: <i>Please consider derating curve!</i>	6 A
contact resistance:	10 mOhm
material	
contact material:	bronze
contact surface material:	tin
housing material:	PC
environmental conditions:	
temperature range:	-20 °C to +60 °C
flammable class:	
housing (basic material):	UL 94 HB



X-ON Electronics

Largest Supplier of Electrical and Electronic Components

Click to view similar products for [Circuit Board Hardware - PCB category](#):

Click to view products by [SKS Kontakttechnik manufacturer](#):

Other Similar products are found below :

[8919-0-00-15-00-00-03-0](#) [0132-0-15-01-30-27-04-0](#) [0135-0-15-01-30-27-04-0](#) [5970-1-15-01-32-14-04-0](#) [0132-0-15-15-30-27-04-0](#) [0135-0-15-15-30-27-04-0](#) [0149-0-15-15-30-27-04-0](#) [MBI 1 BLUE](#) [7305-0-15-15-47-14-10-0](#) [MKU 1 BLACK](#) [MLN 150/1 BLACK](#) [8579-0-15-80-11-27-10-0](#) [8579-1-15-15-11-27-10-0](#) [8637-0-15-15-21-14-10-0](#) [8830-0-15-01-22-14-10-0](#) [8836-0-00-21-00-00-03-0](#) [PRUEF 2 RED](#) [9976-0-00-00-00-00-03-0](#) [1178-0-01-80-00-00-03-0](#) [PW1616](#) [1215-3-05-00-00-00-01-0](#) [1303-0-15-15-47-14-04-0](#) [1404-3](#) [1404-4](#) [1406-4](#) [1407-3](#) [1406-3](#) [1407-4](#) [1408-3](#) [1424-4](#) [1426-3](#) [1427-3](#) [1427-4](#) [1428-3](#) [1419-4](#) [1424-3](#) [1426-4](#) [1428-4](#) [MPS 1 BLACK](#) [1520150-1](#) [1548-103](#) [1801-0-15-15-30-27-04-0](#) [1938-0-00-00-00-00-03-0](#) [1942-0-00-00-00-00-03-0](#) [2101-3-00-44-00-00-07-0](#) [2104-2-01-44-00-00-07-0](#) [2108-2-00-50-00-00-07-0](#) [2108-3-00-44-00-00-07-0](#) [2109-2-00-44-00-00-07-0](#) [2110-2-00-44-00-00-07-0](#)