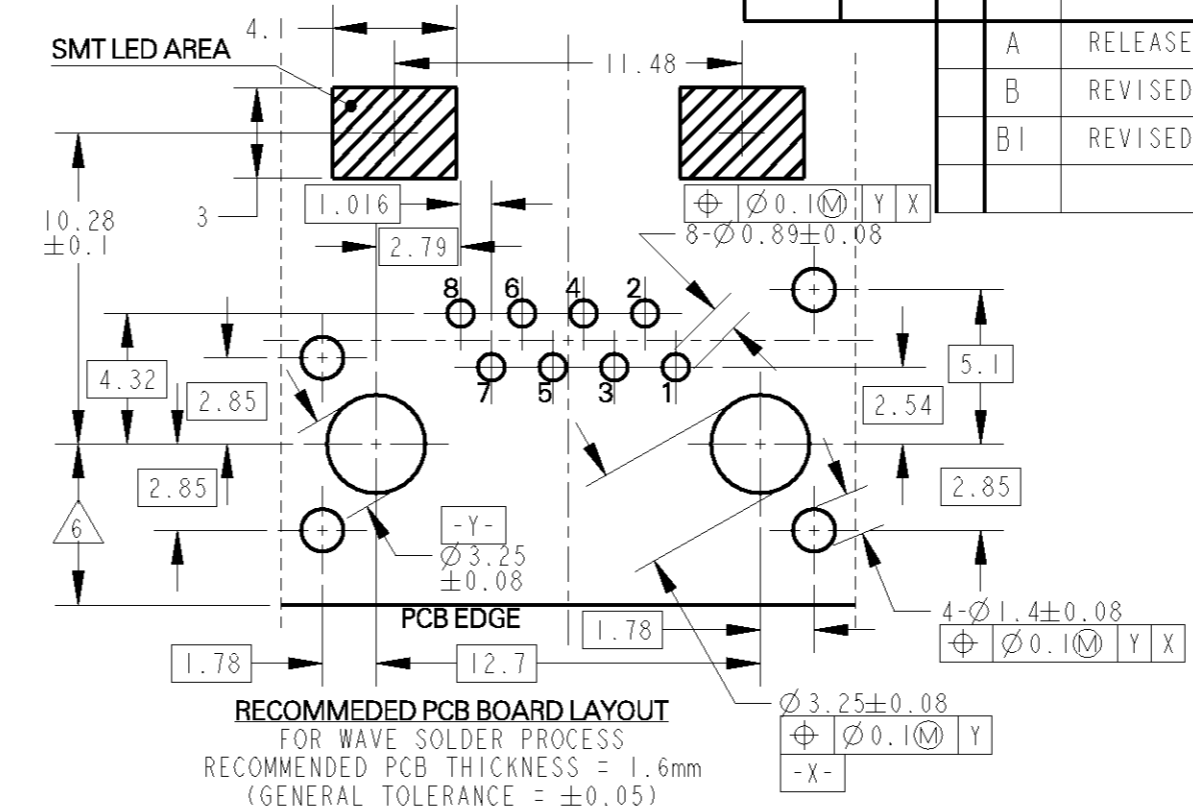
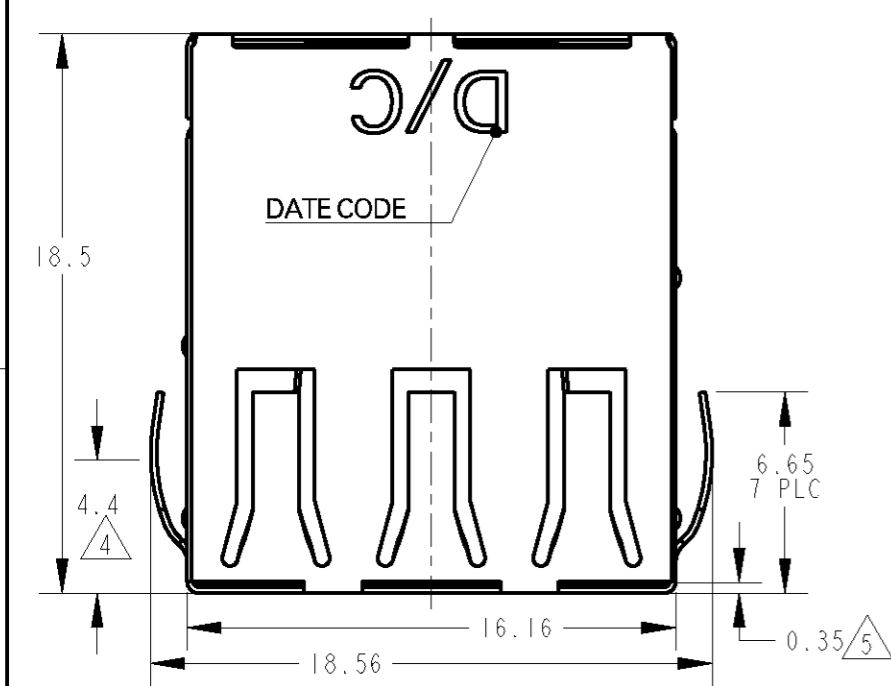


THIS DRAWING IS UNPUBLISHED. RELEASED FOR PUBLICATION 20
 © COPYRIGHT 20 BY TYCO ELECTRONICS CORPORATION. ALL RIGHTS RESERVED.

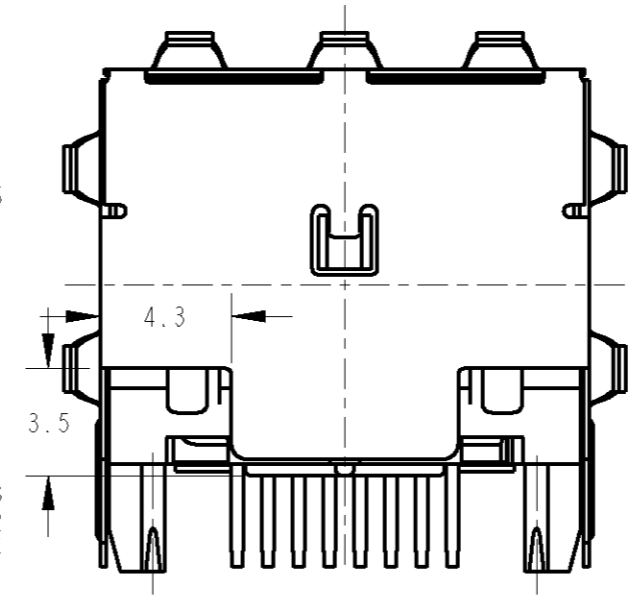
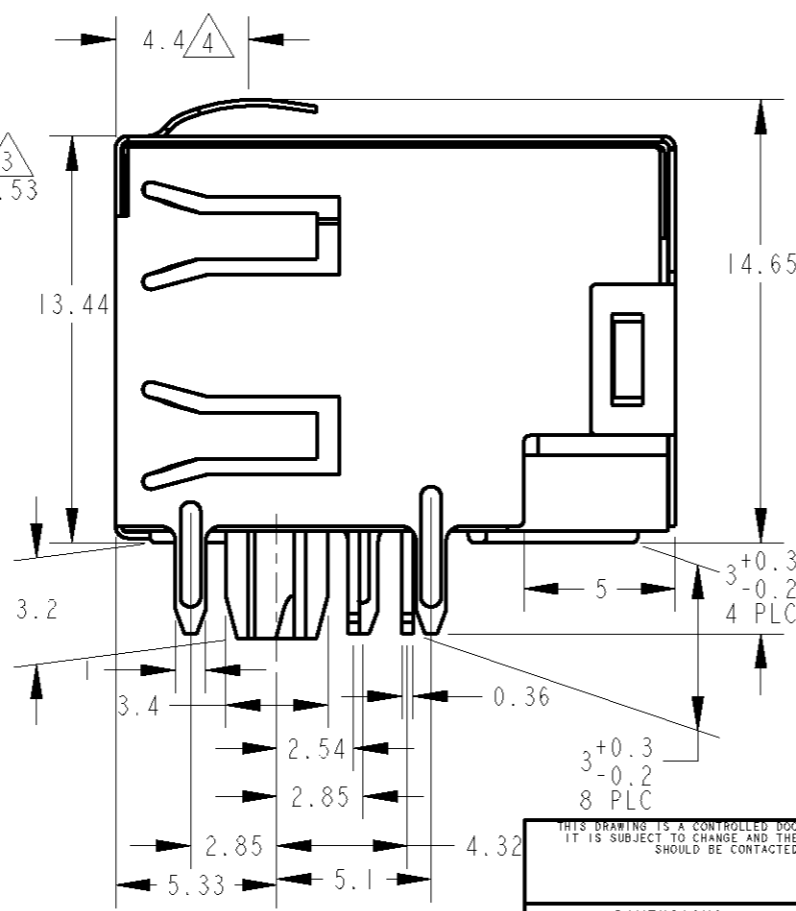
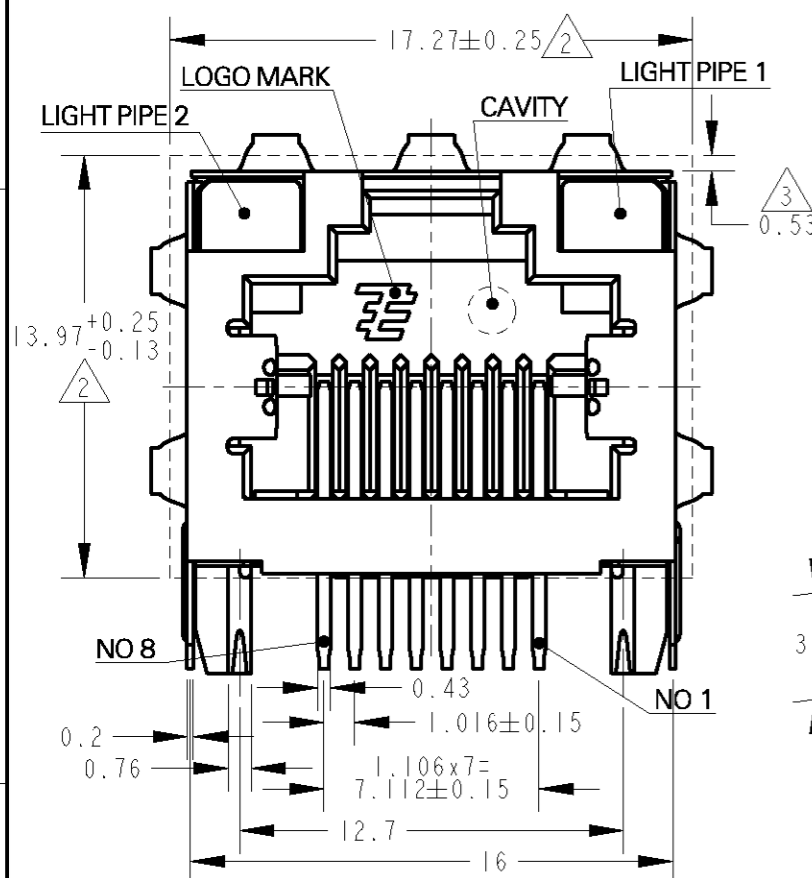
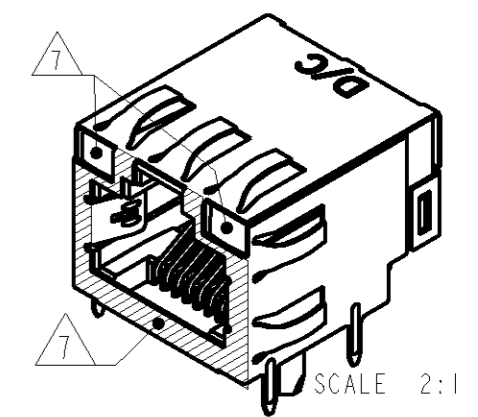
P	LTR	DESCRIPTION	DATE	DWN	APVD
A		RELEASED	14JUL2009	M.M	T.K
B		REVISED	23JUL2009	M.M	T.K
BI		REVISED	07AUG2009	M.M	T.K



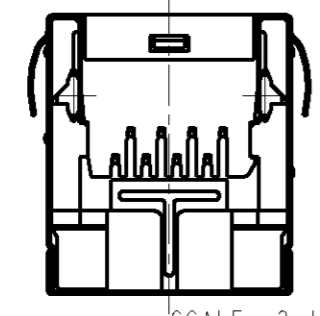
-1 AS SHOWN

RECOMMENDED ETHERNET PLUG

INDUSTRIAL ETHERNET : 1903527-1
 MODULAR PLUG KIT : 5-1479185-3



- 1. MATERIAL BODY HOUSING : HIGH TEMPERATURE THERMOPLASTIC, BLACK, UL94V-0. INSERT HOUSING : HIGH TEMPERATURE THERMOPLASTIC, BLACK, UL94V-0. LIGHT PIPE HOUSING : HIGH TEMPERATURE THERMOPLASTIC, CLEAR, UL94V-2. TERMINALS : 0.36mm THICKNESS PHOSPH-BRONZE PLATED WITH 3.81μM MIN BRIGHT TIN-LEAD IN SOLDER AREA, 1.27μM MIN GOLD IN CONTACT AREA, ALL OVER 1.27μM MIN NICKEL. SHIELD : 0.2mm THICKNESS PHOSPH-BRONZE PRE-PLATED 1.27μM MIN SEMI-BRIGHT NICKEL, AND POST DIPPED 2.0μM MIN BRIGHT TIN ON PCB GROUND TABS.
- 2. SUGGESTED PANEL OPENING DIMENSIONS.
- 3. SUGGESTED CLEARANCE BETWEEN TOP OF CONNECTOR AND TOP PANEL OPENING.
- 4. SUGGESTED PANEL LOCATION POINT.
- 5. OFFSET TO LIGHT PIPE.
- 6. TO BE DETERMINED BY CUSTOMER.
- 7. NO VISIBLE SCRATCH AND DAMAGE ON HATCHING AREA AND LIGHT PIPE SURFACE BY VISUAL INSPECTION 300MM APART FROM PRODUCT.



THIS DRAWING IS A CONTROLLED DOCUMENT FOR TYCO ELECTRONICS CORPORATION. IT IS SUBJECT TO CHANGE AND THE CONTROLLING ENGINEERING ORGANIZATION SHOULD BE CONTACTED FOR THE LATEST REVISION.		DWN M. MAEBASHI 14JUL2009 CHK N. YAMASAKI 14JUL2009 APVD T. KIMIURA 14JUL2009		Tyco Electronics Tyco Electronics Corporation Kawasaki, Japan	
DIMENSIONS: 单位: 毫米 mm		TOLERANCES UNLESS OTHERWISE SPECIFIED: 一般公差 ±0.3, ±5° 0-PLC ± 1-PLC ± 2-PLC ± 3-PLC ± 4-PLC ± ANGLES ±		NAME 名称 RJ45 GIGABIT MODULAR JACK WITH LIGHT PIPE RIGHT ANGLE TYPE 8POS	
MATERIAL 材料		FINISH 仕上		PRODUCT SPEC 108-78645 APPLICATION SPEC 取付適用規格 WEIGHT -	
CUSTOMER DRAWING		SCALE 尺度 4		SHEET OF REV BI	

X-ON Electronics

Largest Supplier of Electrical and Electronic Components

Click to view similar products for [Modular Connectors / Ethernet Connectors](#) category:

Click to view products by [TE Connectivity](#) manufacturer:

Other Similar products are found below :

[RJE231881317T](#) [MP1010RX-1000](#) [MP44RX-1000](#) [GAX-3-66](#) [GAX-8-62](#) [93606-0253](#) [GD-A-44](#) [GDCX-PA-66-50](#) [GDCX-PN-64](#) [GDCX-PN-66](#) [GDCX-PN-66-50](#) [GDLX-A-66](#) [GDLX-A-88](#) [GDLX-N-66](#) [GDLX-S-88K](#) [GDTX-S-88-50](#) [GDX-PA-1010](#) [GLX-N-1010M-BLK](#) [GLX-N-44M](#) [GLX-S-88M-BLK](#) [GMX-N-1010](#) [GMX-S-1010](#) [GMX-S-66](#) [GMX-SMT2-N-1010](#) [GMX-SMT2-N-64-50](#) [GMX-SMT2-S6-88](#) [GMX-SMT4-N-88](#) [GPX-2-64](#) [GRT1-BT1-5](#) [GSGX-N-2-88](#) [GSX-NS2-88-3.05](#) [GSX-NS2-88-3.05-50](#) [GSX-NS-88-3.05-30](#) [GSX-NS-88-3.05-50](#) [GSX-NS-88-3.68](#) [1-1775629-2](#) [GWLX-S-88-GR](#) [GWLX-S9-88-YG](#) [1300500326](#) [1300500227](#) [1300530003](#) [1300570002](#) [1324640-4](#) [RJ11FTVC2G](#) [RJ11FTVC2N](#) [RJFTVX2SA1G](#) [132764-001](#) [1400000](#) [1413176](#) [1413235](#)