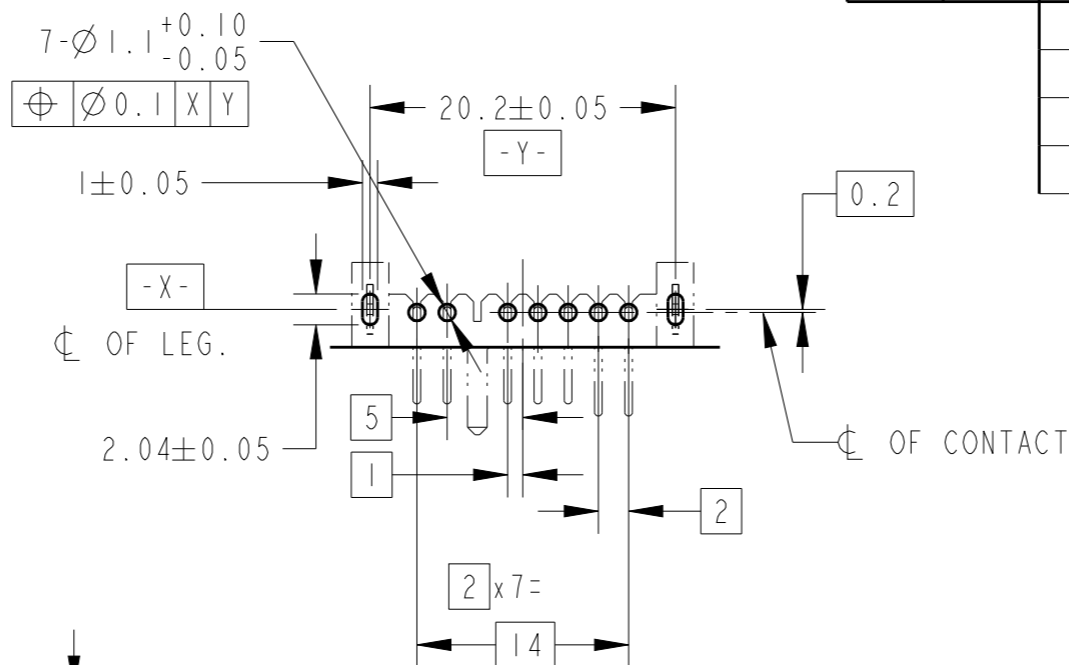
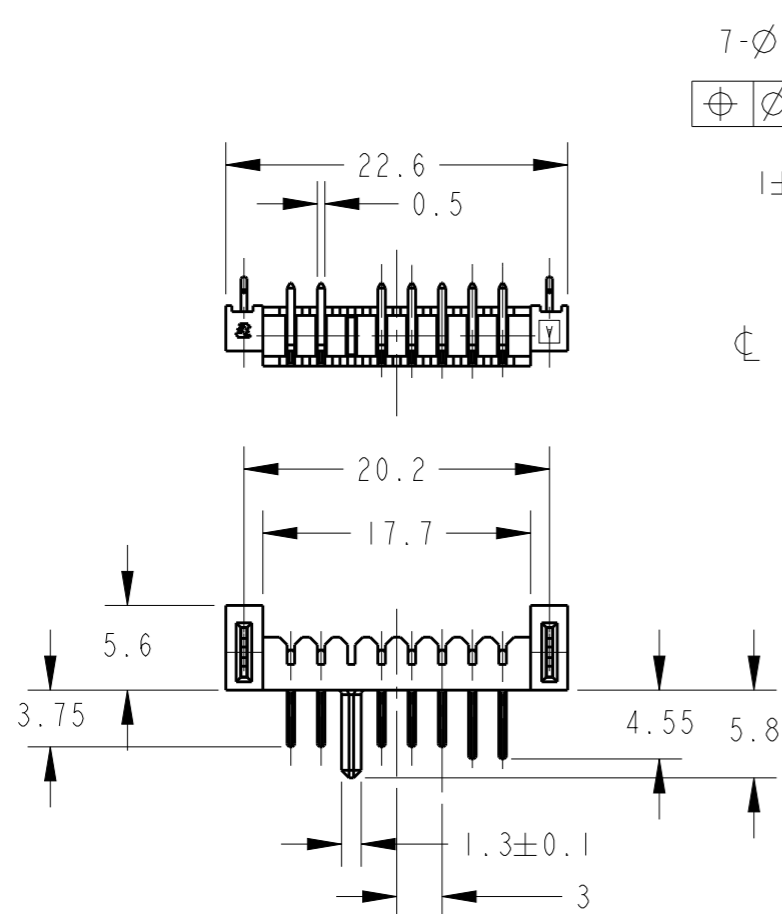


LOC
ES

DIST
-

REVISIONS

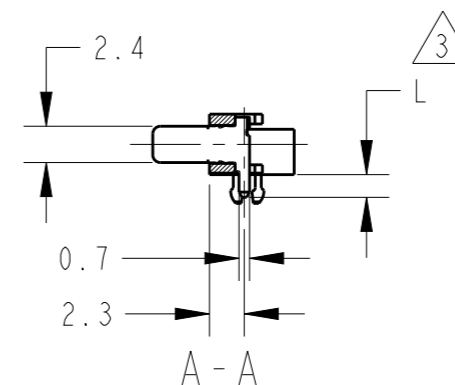
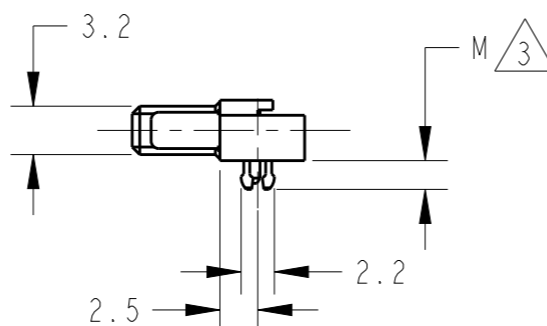
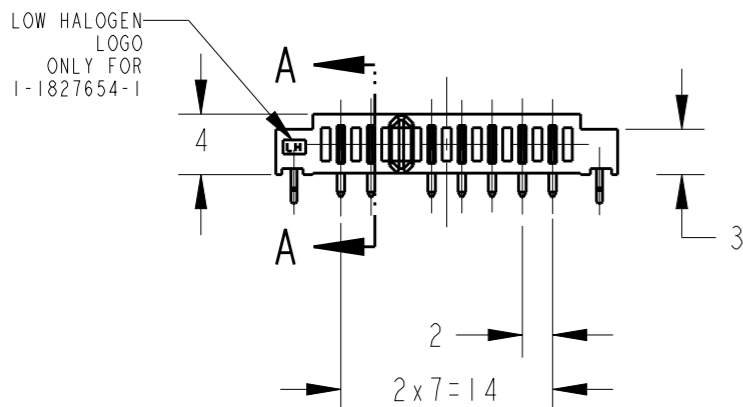
| P | LTR | DESCRIPTION | DATE | DWN | APVD |
|----|-----|---------------------------|-----------|------|------|
| D1 | | REVISED PER ECO-11-005033 | 16APR2011 | RK | HMR |
| D2 | | REVISED PER ECR-13-003041 | 20FEB2013 | E, L | S. Y |
| D3 | | REVISED PER ECR-13-007095 | 26APR2013 | E. L | S. Y |



1 MATERIAL
CONTACT: COPPER ALLOY
HOUSING: THERMOPLASTIC RESIN UL94V-0 BLACK
RETENTION LEG: COPPER ALLOY

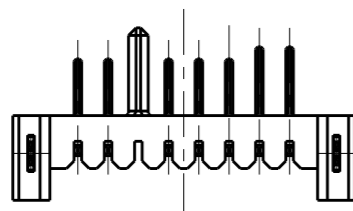
2 FINISH
CONTACT: NICKEL ALL OVER UNDER PLATING,
GOLD PLATING AT CONTACT AREA,
GOLD FLASH PLATING AT LEAD AREA,
RETENTION LEG: NICKEL ALL OVER UNDER PLATING,
TIN PLATING.

REFERENCE P.C BOARD LAYOUT
P.C. BOARD THK. 0.8~1.2
(VIEW FROM CONNECTOR MOUNTING SIDE)



1827654-1, 1-1827654-1: AS SHOWN

| | | | |
|---|---------|---------|-------------|
| THERMOPLASTIC RESIN (LOW HALOGEN: BR<900PPM, CL<900PPM, BR+CL<1500ppm) | 1.9 | 1.5 | 1-1827654-1 |
| THERMOPLASTIC RESIN | 2.6 | 2.1 | 1827654-2 |
| THERMOPLASTIC RESIN | 1.9 | 1.5 | 1827654-1 |
| HOUSING MATERIAL | DIM "M" | DIM "L" | P/N |



THIS DRAWING IS A CONTROLLED DOCUMENT.

| DIMENSIONS: | TOLERANCES UNLESS OTHERWISE SPECIFIED: |
|-------------|--|
| mm | ±0.3 |
| ∅ PLC | ± |
| 1 PLC | ±0.1 |
| 2 PLC | ±0.01 |
| 3 PLC | ±0.001 |
| 4 PLC | ±0.0001 |
| ANGLES | ±3° |

MATERIAL SEE NOTE FINISH SEE NOTE

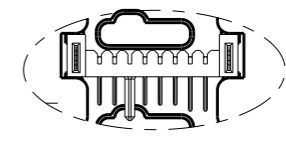
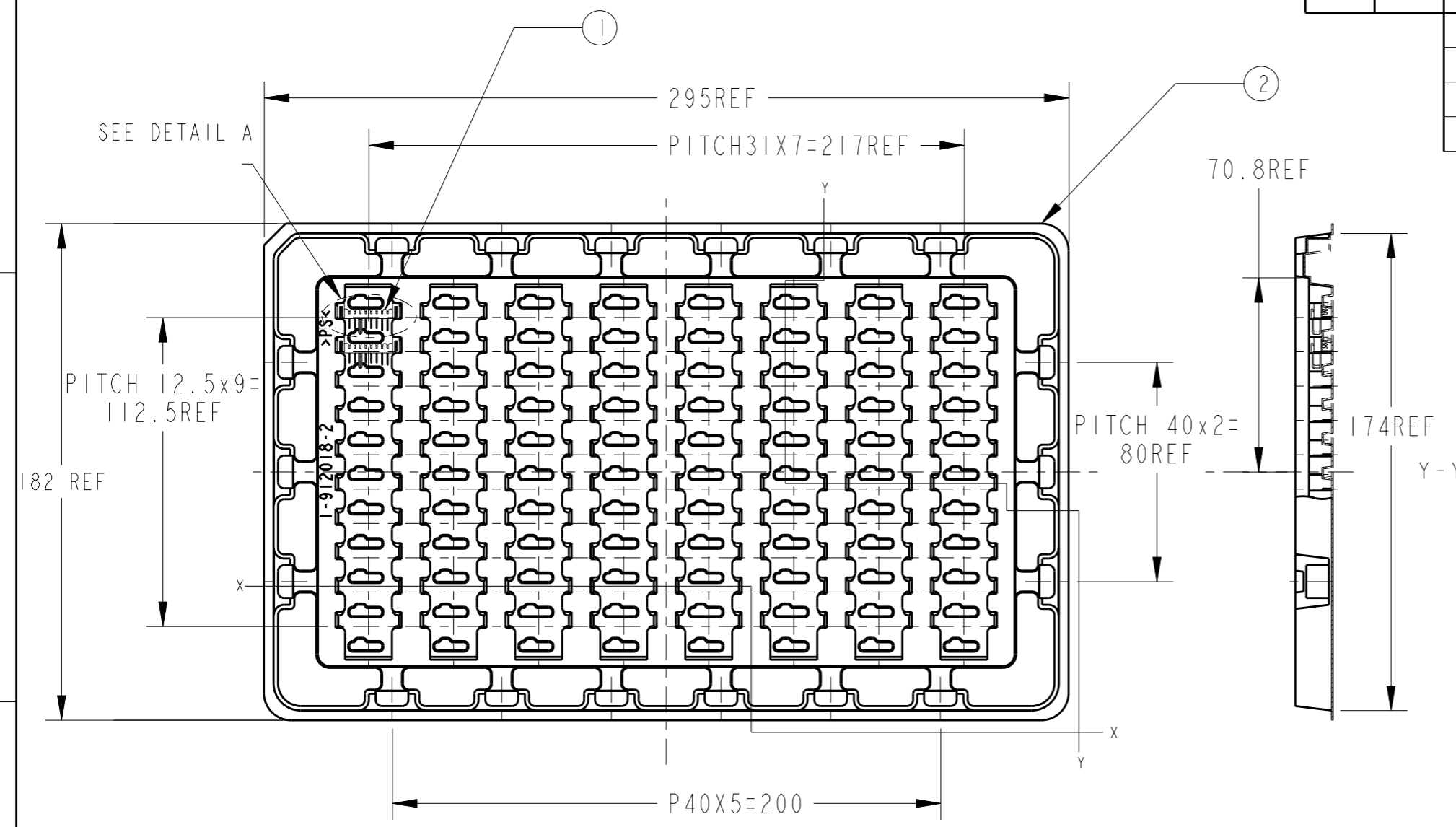
| | | |
|------------------|-----------|---------|
| DWN | T. KATANO | 04JUL05 |
| CHK | T. KIMURA | 04JUL05 |
| APVD | T. KIMURA | 04JUL05 |
| PRODUCT SPEC | 108-78292 | |
| APPLICATION SPEC | - | |
| WEIGHT | 1.0g | |

| | | | |
|--|-----------|------------|---------------|
| STE TE Connectivity | | | |
| NAME PLUG ASSEMBLY 7POS. 2mm PITCH BATTERY CONNECTOR | | | |
| SIZE | CAGE CODE | DRAWING NO | RESTRICTED TO |
| A3 | 00779 | 1827654 | - |

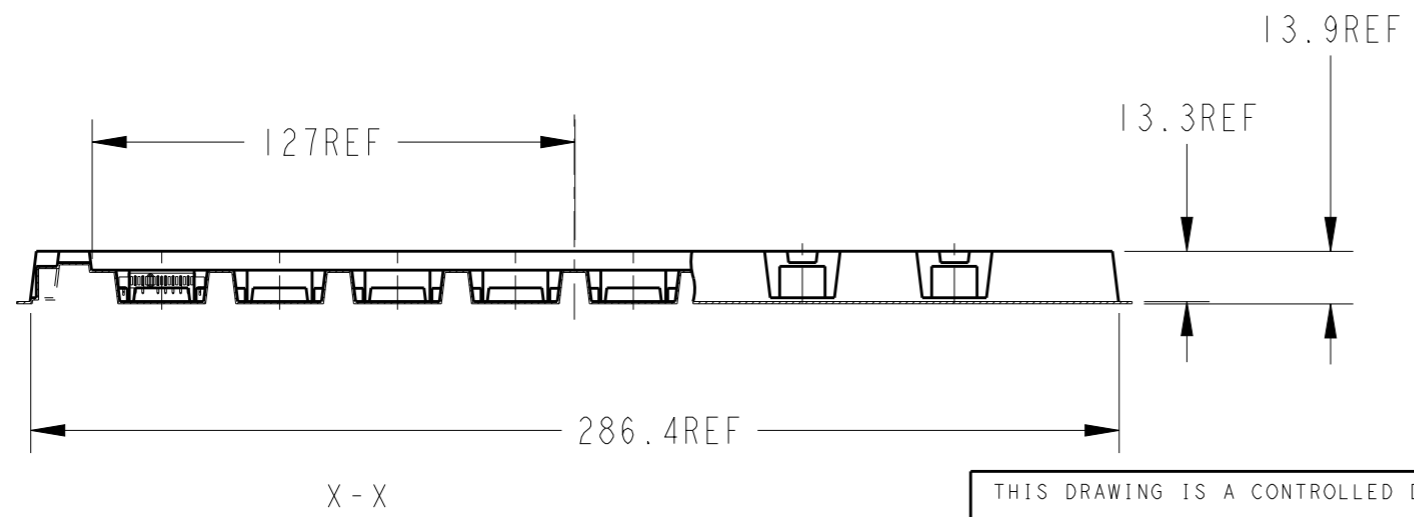
CUSTOMER DRAWING SCALE 2:1 SHEET 1 OF 2 REV D3


THIS DRAWING IS UNPUBLISHED. RELEASED FOR PUBLICATION 20
 © COPYRIGHT 20 ALL RIGHTS RESERVED.

| LOC | DIST | REVISIONS | | | |
|-----|------|-------------|------|-----|------|
| P | LTR | DESCRIPTION | DATE | DWN | APVD |
| ES | - | SEE SHEET 1 | - | - | - |



AS SHOWN: 1827654-1/-2
1-1827654-1



| | | | | | | | | | | | |
|---|--|----------|-----------|----------|--|------------------|--|--|-----------|------------|------------------|
| THIS DRAWING IS A CONTROLLED DOCUMENT. | | DWN | T. KATANO | 04JUL05 |  TE Connectivity | NAME | | PLUG ASSEMBLY 7POS. 2mm PITCH BATTERY CONNECTOR | | | |
| DIMENSIONS: mm | | CHK | T. KIMURA | 04JUL05 | | PRODUCT SPEC | | SIZE | CAGE CODE | DRAWING NO | RESTRICTED TO |
| TOLERANCES UNLESS OTHERWISE SPECIFIED: | | APVD | T. KIMURA | 04JUL05 | | APPLICATION SPEC | | A3 | 00779 | C=1827654 | - |
| 0 PLC ±.0 1 PLC ±0.1 2 PLC ±0.01 3 PLC ±0.001 4 PLC ±0.0001 ANGLES ±3° | | MATERIAL | | SEE NOTE | | FINISH | | SEE NOTE | WEIGHT | 1.0g | CUSTOMER DRAWING |

X-ON Electronics

Largest Supplier of Electrical and Electronic Components

Click to view similar products for [Power to the Board](#) category:

Click to view products by [TE Connectivity](#) manufacturer:

Other Similar products are found below :

[10131318-08512GRLF](#) [6450171-4](#) [6450552-7](#) [6600323-8](#) [6643429-1](#) [6646040-2](#) [6651939-1](#) [6766604-1](#) [120959-1](#) [1393557-2](#) [1393532-2](#)
[1393532-3](#) [1393532-4](#) [1393557-1](#) [1600812-5](#) [1-6450861-2](#) [1645595-1](#) [1743490-1](#) [1744132-7](#) [1761122-1](#) [1766169-1](#) [1766250-1](#) [18362](#)
[1892109-1](#) [1-967627-6](#) [2226808-1](#) [2-6450860-5](#) [2-6450860-6](#) [2-6450870-0](#) [93003-0502](#) [953552-1](#) [1-6450161-4](#) [1-6450850-6](#) [1645526-2](#) [1-](#)
[6600130-0](#) [1743419-1](#) [1766150-1](#) [2005243-2](#) [211110-1](#) [2-6600130-2](#) [TE34-12-16P-F0](#) [51700-10201602AALF](#) [5-6450830-6](#) [5646956-4](#)
[36662-0005](#) [40585-3000](#) [4-6450830-9](#) [4-6600333-3](#) [51142-0214](#) [10125416-4050LF](#)