



83139 Standard 831390 Part number Contact us



- IP 67 protection against hydrocarbons, detergents
- Double break switching
- Double insulated or Atex flameproof casing
- Choice of actuators

Part numbers

Type	Function	Connections
CONTACT US Standard 831390	I (changeover)	Cable output

Specifications

Electrical characteristics

Rating nominal / 250 VAC (A)	6
Rating thermal / 250 VAC (A)	11

Mechanical characteristics

Maximum operating force (N)	3
Min. Release force (N)	0,6
Maximum total travel force (N)	4
Max. permitted overtravel force (N)	10
Maximum rest position (mm)	A= 8,8 B= 9,8
Operating position depending on position of fixing holes (mm)	A = 7.7 \pm 0.4 B = 8.7 \pm 0.4
Maximum differential travel (mm)	0,35 \pm 0,1
Min. overtravel (mm)	0,25
Ambient operating temperature (°C)	0 \rightarrow +85
Mechanical life (operations)	10 ⁷
Contact gap (mm)	0,3 x 2
Weight (g)	37

Fixations

Fixings - 4 holes (standard)	A
Fixing - 2 holes	B

Connections

Connection	4 flexible leads 0.75 mm ² length 0.50 m \varnothing ext. 2.3 mm
Standard wire output	S
Wire output on right	D
Wire output on left	G

Additional specifications

Components

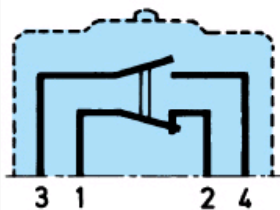
Material

- Case : polyester UL94V0
- Contacts : silver
- Membrane : nitrile for 83 139 0 silicon for 83 139 1/2/5

Levers

- stainless steel
- Roller : polyamide

Principles

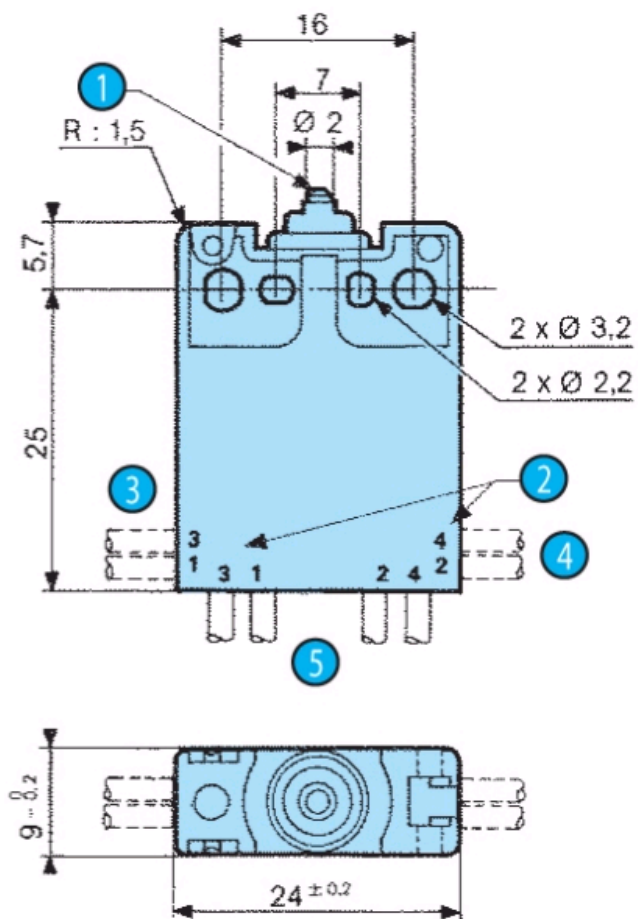


Dimensions (mm)

Product

83 139 0 - 5

A fixing = 4 holes

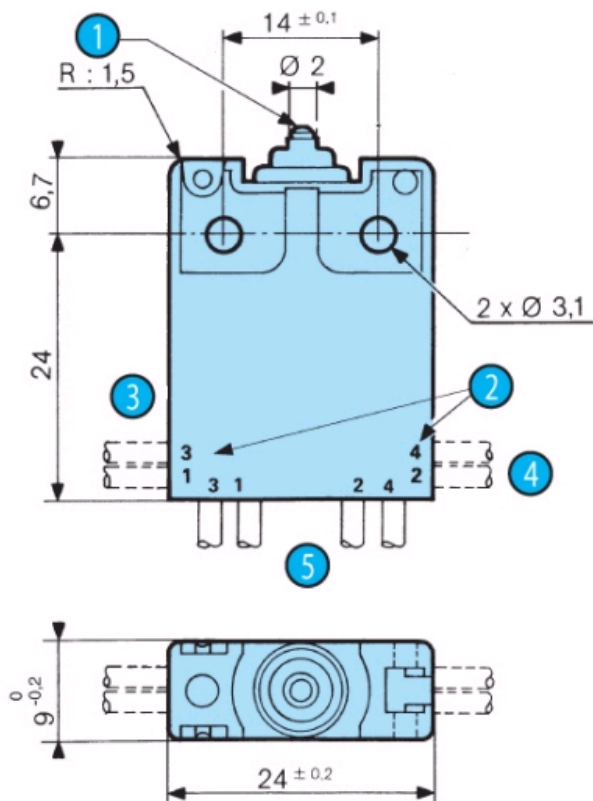


N°	Legend
①	R : 1.5 spherical
②	Lead reference on casing
③	Lead output on left
④	Lead output on right
⑤	Standard lead output (black) 1 = black lead 2 = brown lead 3 = grey lead 4 = blue lead

Dimensions (mm)

Product

83 139 0 - 1 - 5
 B fixing = 2 holes

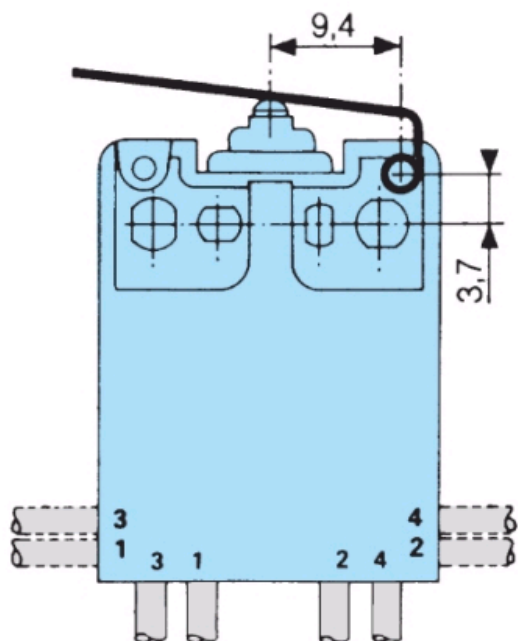


N°	Legend
①	R : 1.5 spherical
②	Lead reference on casing
③	Lead output on left
④	Lead output on right
⑤	Standard lead output (black) 1 = black lead 2 = brown lead 3 = grey lead 4 = blue lead

Dimensions (mm)

Actuator mounting positions

Type 139
 A fixing = 4 holes



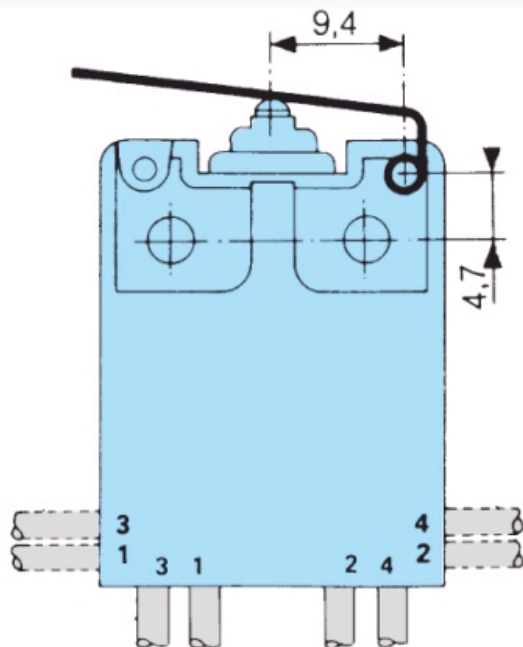
Sorties fils à gauche ou à droite 1 = fil noir 2 = fil brun 3 = fil gris 4 = fil bleu

Dimensions (mm)

Actuator mounting positions

Type 139

B fixing = 2 holes



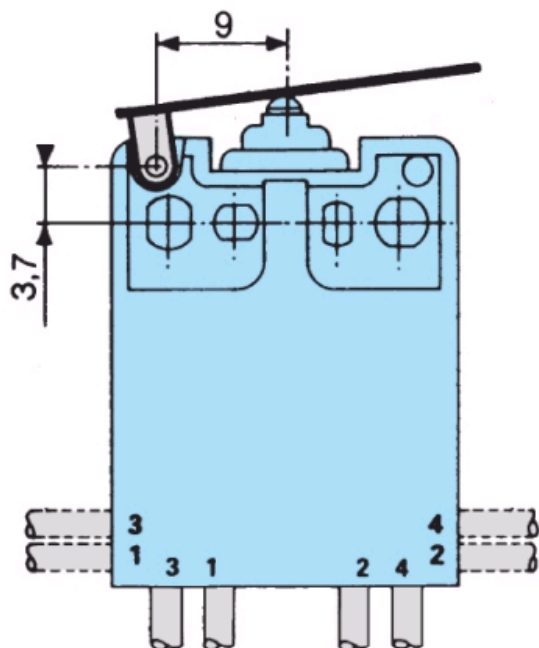
Sorties fils à gauche ou à droite 1 = fil noir 2 = fil brun 3 = fil gris 4 = fil bleu

Dimensions (mm)

Actuator mounting positions

Type 161

A fixing = 4 holes



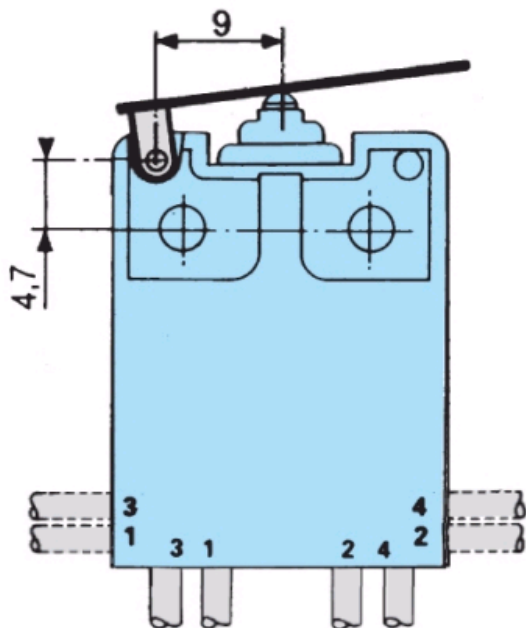
Sorties fils à gauche ou à droite 1 = fil noir 2 = fil brun 3 = fil gris 4 = fil bleu

Dimensions (mm)

Actuator mounting positions

Type 161

B fixing = 2 holes

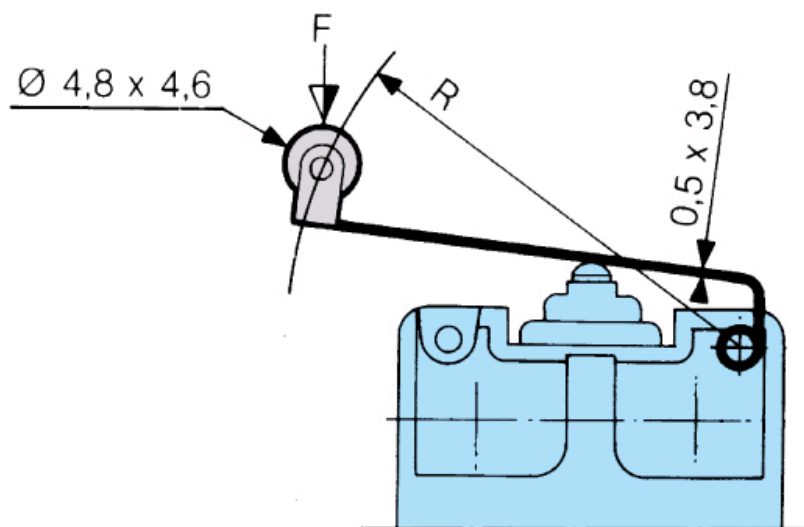


Sorties fils à gauche ou à droite 1 = fil noir 2 = fil brun 3 = fil gris 4 = fil bleu

Dimensions (mm)

Actuators

139 EX

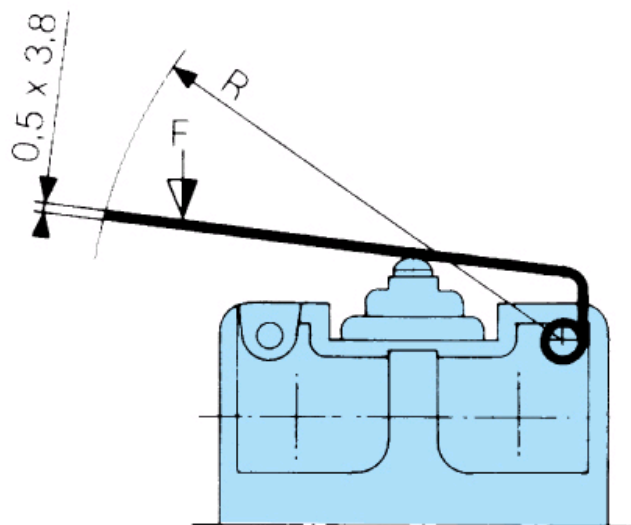


Sorties fils à gauche ou à droite 1 = fil noir 2 = fil brun 3 = fil gris 4 = fil bleu

Dimensions (mm)

Actuators

139 AX

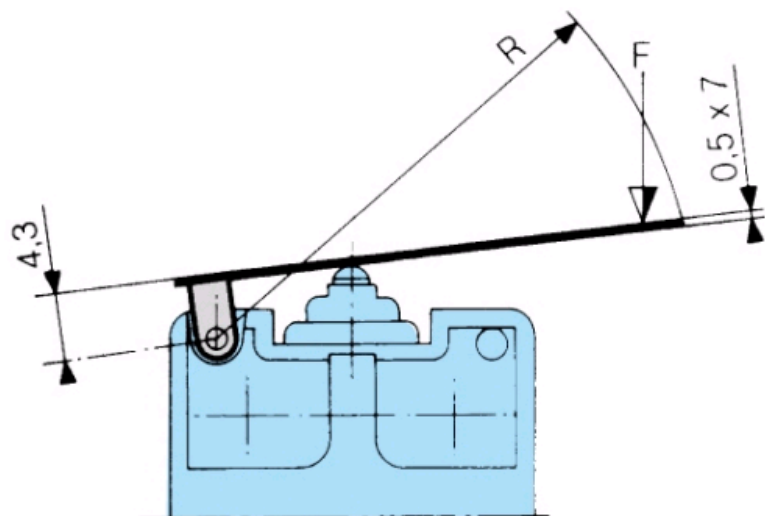


Sorties fils à gauche ou à droite 1 = fil noir 2 = fil brun 3 = fil gris 4 = fil bleu

Dimensions (mm)

Actuators

161 A

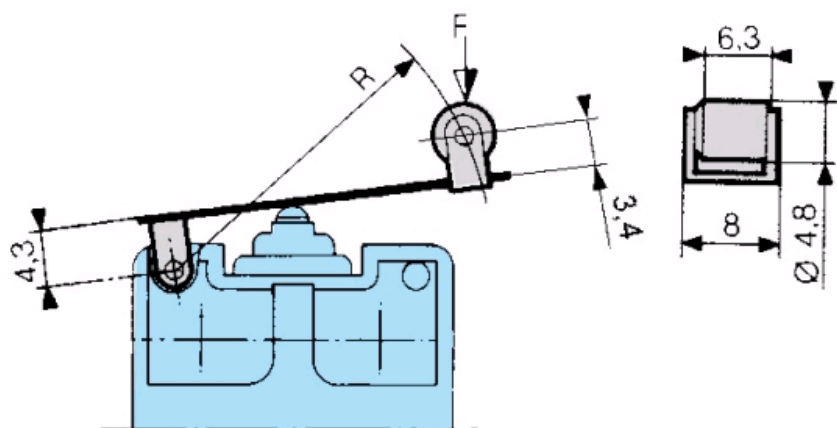


Sorties fils à gauche ou à droite 1 = fil noir 2 = fil brun 3 = fil gris 4 = fil bleu

Dimensions (mm)

Actuators

161 E

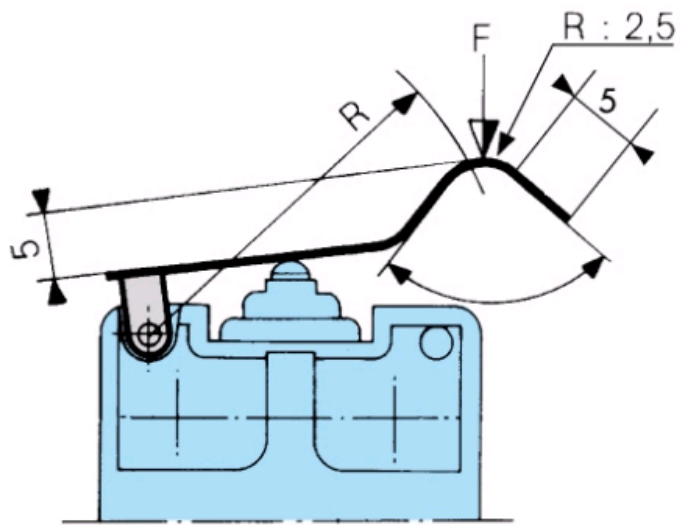


Sorties fils à gauche ou à droite 1 = fil noir 2 = fil brun 3 = fil gris 4 = fil bleu

Dimensions (mm)

Actuators

161 F

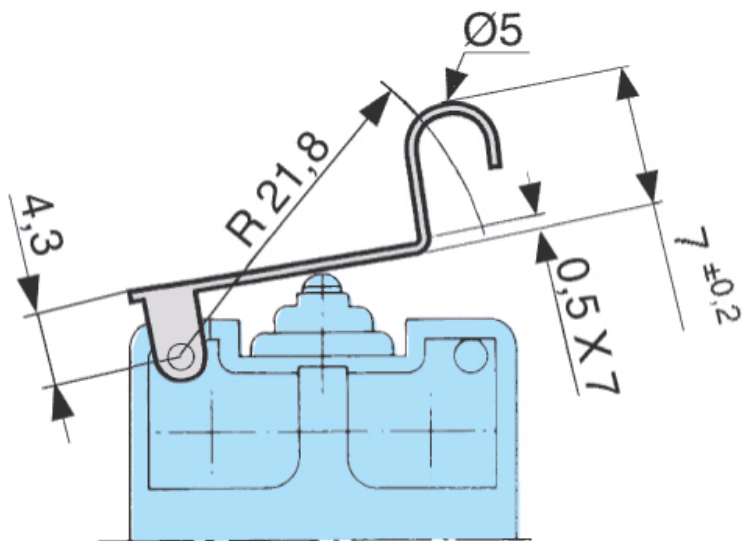


Sorties fils à gauche ou à droite 1 = fil noir 2 = fil brun 3 = fil gris 4 = fil bleu

Dimensions (mm)

Actuators

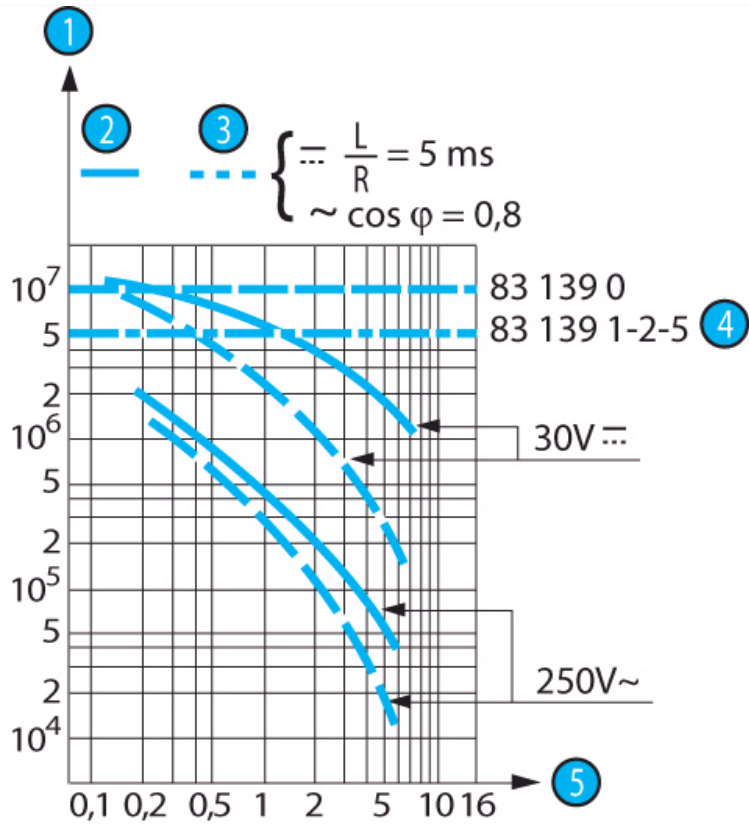
161 G



Sorties fils à gauche ou à droite 1 = fil noir 2 = fil brun 3 = fil gris 4 = fil bleu

Curves

Operating curve for types 83 139 0 / 1 / 2 / 5



N°	Legend
1	Number of cycles
2	Resistive circuit
3	Inductive circuit
4	Mechanical life limit
5	Current in Amps

Connections

Actuators and fixing positions

Part numbers for standard actuators		79 215 740	70 507 524	79 215 742	70 507 529
Actuators	Flat 139 AX R29.7 mm**	Roller 139 EX R28.7 mm**	Flat 161A R14.2 - R25.4 mm	Roller 161E R13.6 - R24.1 mm	
Operating force - max.	N	1.5	1.5	2.6	1.7
Release force - min.	N	0.2	0.35	0.2	0.35
Differential travel	mm	1.5	0.7	1.25	0.7
Part numbers for standard actuators		70 507 528	79 218 651		
Actuators	Flat 161F R22.3 mm	Dummy roller 161 GR21.8			
Operating force - max.	N	2	2		
Release force - min.	N	0.2	0.2		
Differential travel	mm	1.1	1.1		

Unless indicated, flat actuators and roller actuators are delivered unmounted.
 ** Factory fitted

Note : We recommend greasing the switch pushbutton lightly when fitting actuators.

Other information

Product marking (83 139 1)

II 2 G
 EEx d IIC T6

Key to these symbols :

- Equipment used in potentially explosive atmospheres
- II - Equipment group for surface use
- 2 - Equipment category for zone 1
- G - Gas

EEx - The equipment complies with the protection methods standardised by CENELEC (European standards)

d - Protection method used : "d" flameproof casing

II - Surface industry

C - Most severe gas subdivision including hydrogen, acetylene and carbon disulphide

T6 - Temperature class corresponding to +85 °C

At the time of ordering, the customer must specify :

- The operating zone (0, 1 or 2)
- The type of atmosphere (gas or dust)
- The type of gas
- The ambient operating temperature

Product adaptations

- Special levers
- Special leads, cables, cable harnesses
- Specific operating temperatures

X-ON Electronics

Largest Supplier of Electrical and Electronic Components

Click to view similar products for [Basic / Snap Action Switches](#) category:

Click to view products by [Crouzet](#) manufacturer:

Other Similar products are found below :

[83228001](#) [01.098.1358.1](#) [602EN1-6B](#) [602EN532](#) [602EN535-RB](#) [602HE5-RB1](#) [604HE162](#) [604HE223-6B](#) [624HE17-RB](#) [6HM89](#) [6PA78-JM](#)
[6SE1](#) [6SX1-H58](#) [70500840](#) [MBD5B1](#) [MBH2731](#) [73-316-0012](#) [79211759](#) [79211923](#) [79218589](#) [7AS12](#) [ML-1155](#) [ML-1376](#) [831010C3.0](#)
[831060C3.TL](#) [831090C2.EL](#) [83131904](#) [84212012](#) [8AS239](#) [8HM73-3](#) [903VB1-PG](#) [914CE1-6G](#) [PL-100](#) [11SM1077-H4](#) [11SM1077-H58](#)
[11SM1-TN107](#) [11SM405](#) [11SM703-T](#) [11SM8423-H2](#) [11SX37-T](#) [11SX48-H58](#) [11SX55-H58](#) [11SM2442-T](#) [11SM76-T](#) [11SM77-H58](#)
[11SM77-T](#) [11SM863-T](#) [11SM866](#) [11SX47-H58](#) [A7CN-1M-1-LEFT](#)