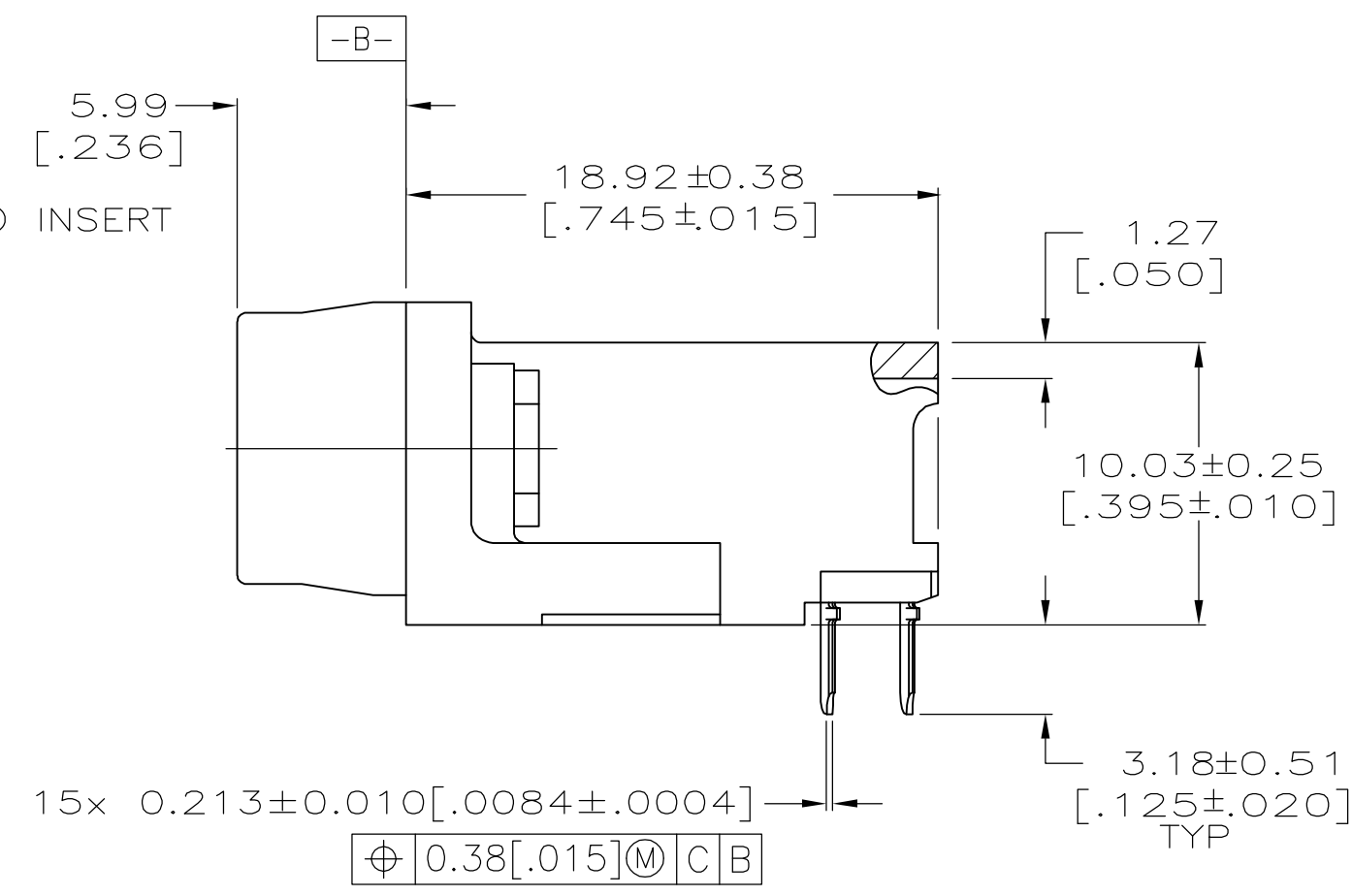
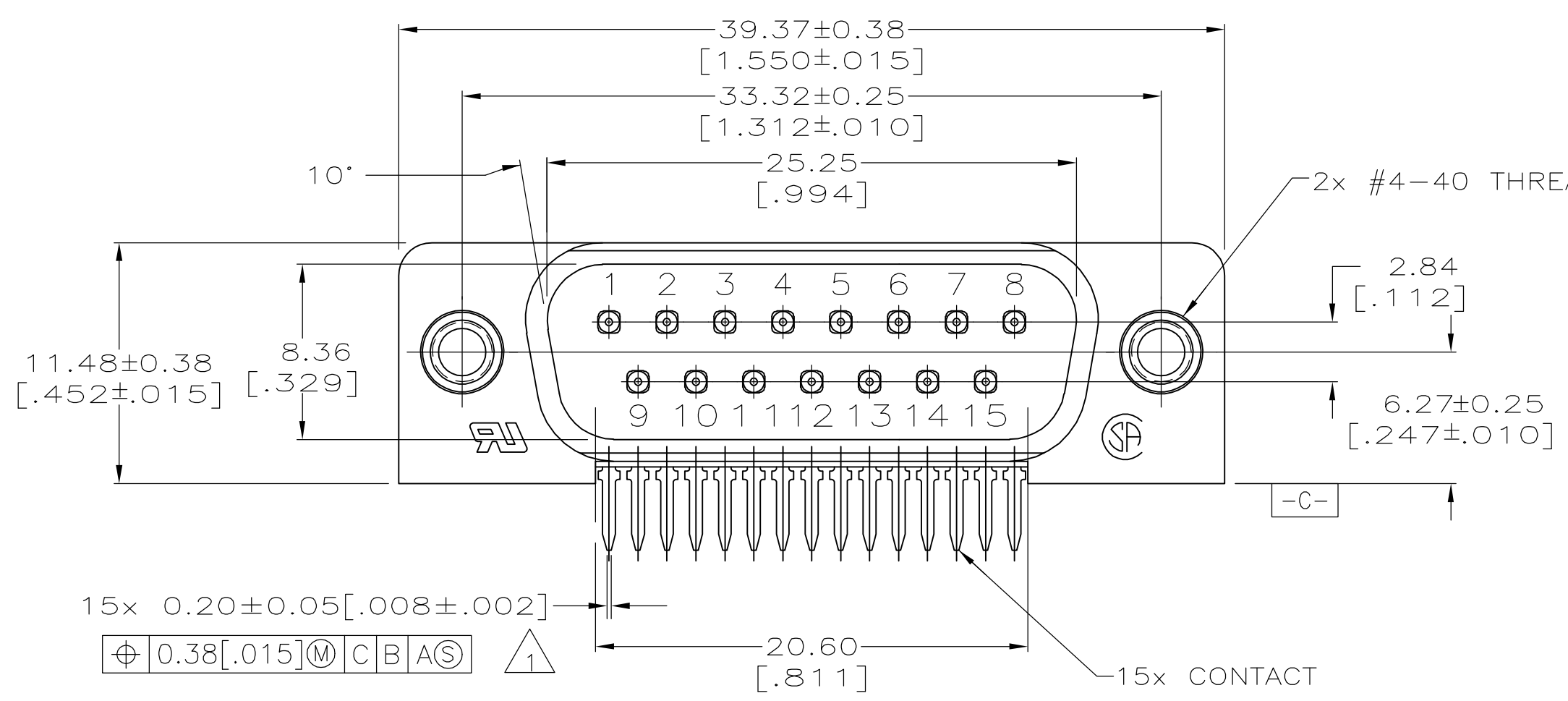
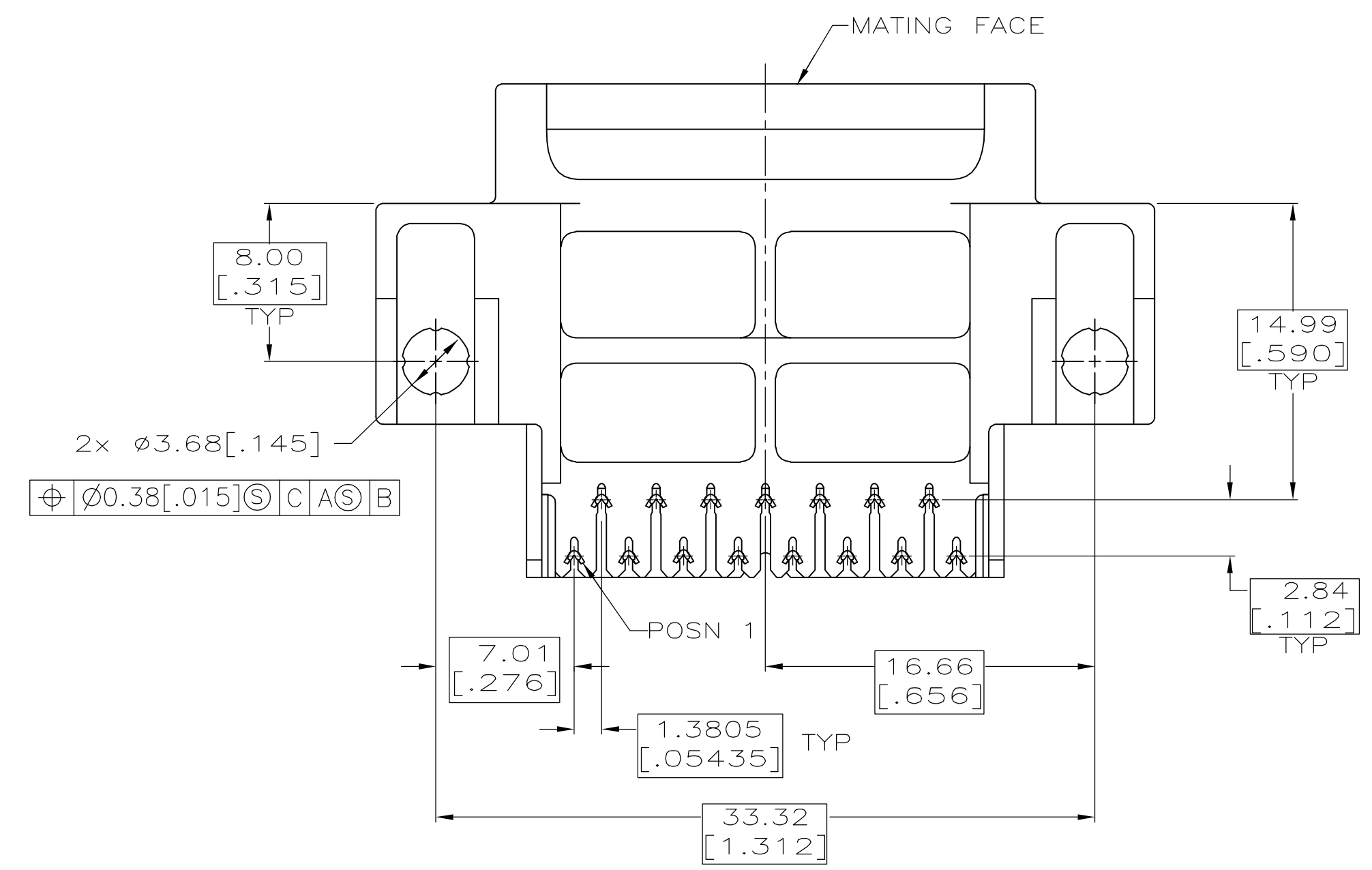


TYCO, PART NO & DATE CODE, MARKED IN AREA INDICATED

PC BOARD MOUNTING DIMENSIONS



- 1 POSITION TOLERANCE APPLIES AT TIP ONLY.
- 2 HOUSING: FLAME RETARDENT, 94V-0 RATED, GLASS FILLED NYLON OR POLYESTER, COLOR; BLACK. CONTACTS: BRASS INSERTS: ZINC
- 3 CONTACTS: GOLD PLATED FOR A LENGTH OF 3.81 [.150] MIN FROM MATING END, 0.76 μm [.000030] MIN GOLD IN MATED AREA, 2.54 μm [.0001] MIN TIN FOR A LENGTH OF 3.68 [.145] MIN FROM OPPOSITE END, BOTH OVER 1.27 μm [.000050] MIN NICKEL. INSERTS: CLEAR CHROMATE COATING.



5748872-1  
PART NO

**COPYRIGHT 2005  
 TYCO ELECTRONICS CORP  
 ALL RIGHTS RESERVED**

THIS DRAWING IS A CONTROLLED DOCUMENT.		DWN G.PETERS	20SEP05		Tyco Electronics Corporation Harrisburg, PA 17105-3608	
DIMENSIONS: mm [INCHES]		CHK S.BOLASH	20SEP05		NAME PLUG ASSEMBLY, SIZE 2, 15 POSN., ALL PLASTIC, RIGHT ANGLE, .590 SERIES, AMPLIMITE III	
TOLERANCES UNLESS OTHERWISE SPECIFIED:		APVD M.WALMSLEY	20SEP05	PRODUCT SPEC 108-1226		
0 PLC ± -		APPLICATION SPEC 114-40027		SIZE A1		
1 PLC ± -		WEIGHT		CASE CODE 00779		
2 PLC ± .13[.005]		CUSTOMER DRAWING		DRAWING NO C=5748872		
3 PLC ± -		SCALE 1:1		SHEET 1 OF 1		
4 PLC ± -		SHEET		REV 0		
ANGLES ± -		SCALE		REV		
FINISH		SCALE		REV		

## X-ON Electronics

Largest Supplier of Electrical and Electronic Components

*Click to view similar products for [D-Sub Standard Connectors](#) category:*

*Click to view products by [TE Connectivity](#) manufacturer:*

Other Similar products are found below :

[DCM37S732N](#) [DAM15P500](#) [DEV09S364GTLF](#) [DEM09P032N](#) [DDM50P732N](#) [DAM15S332N](#) [173109-2218](#) [173109-2466](#) [173109-2436](#)  
[173109-2435](#) [56F706-005-LI](#) [56F711-015](#) [015-0341-000](#) [015-0372-008](#) [015-8544-011](#) [017041-0005](#) [012-0515-000](#) [012-9507-034](#) [012-9507-114](#) [012-9534-001](#) [020745-0008](#) [609-25P](#) [M24308/2-23Z](#) [M243082310F](#) [M243082410F](#) [M243082411F](#) [M24308/4-21](#) [CT1A18-11PSA206](#)  
[CT1N36-5SC](#) [CT2-16S-17PS](#) [CT2-20-15PCAU](#) [CT2-24-12PS](#) [CT2-24-28PSF127A206](#) [CT2-32-9PC](#) [CT6F9767-14-4-14S-5PC](#)  
[CT6FA10SL-4PS](#) [CT7-18-10SC](#) [CT7-18-10SCAU](#) [CT7-18-12SCAU](#) [CT7-18-1PC](#) [CT7-18-1PCAU](#) [CT7-18-21SCAU](#) [M83513/01-FC](#)  
[M83723/76W24619 L/C](#) [M85049/48-3-2F](#) [69001-865](#) [6STD09PCM99B70X](#) [6STD09SCT99S40X](#) [6STD15PCT99S40X](#)  
[6STD15SCM99B30X](#)