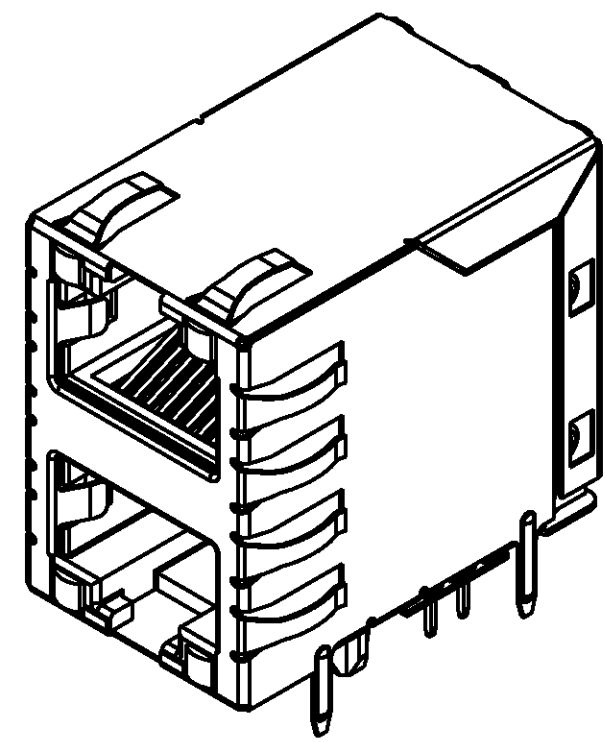


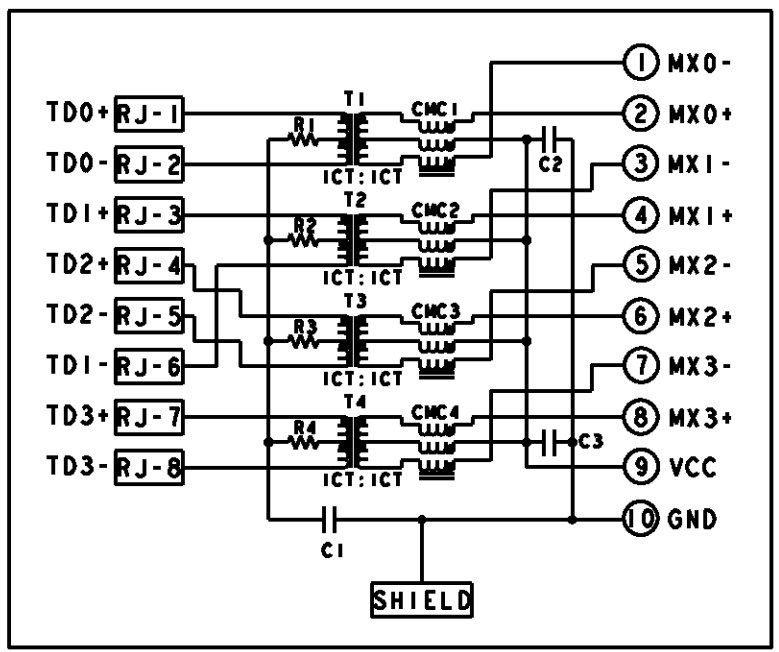
REV. NO.		REV. DATE		REV. BY		REV. APPR	
AA	00						
D1		REVISED PER ECO-11-005140		29APR11	RK	HMR	



- △ MATERIALS:
 PLASTIC HOUSING: BLACK, THERMOPLASTIC FLAMMABILITY RATING UL 94V-0
 SHIELD: BRASS, PREPLATED WITH 0.76um MIN SEMI-BRIGHT NICKEL, POST DIPPED WITH 2.54um MIN SAC SOLDER ON SOLDER TAILS,
 CONTACTS: PHOSPHOR BRONZE, 1.27um MIN OVERALL NICKEL UNDERPLATE WITH SELECT 1.27um MIN GOLD AT MATING INTERFACE AND 2.54um MIN MATTE TIN ON SOLDER TAILS.
 LED: DIFFUSED EPOXY LENS, CARBON STEEL LEAD FRAME TAILS OF LED ARE PREPLATED WITH 2.03um MIN SILVER OVER 1.02um MIN NICKEL UNDERPLATE OVER 1.02um MIN COPPER UNDERPLATE. POST-PLATED WITH 2.54um MIN MATTE TIN AND/OR SAC SOLDER DIP OR PURE TIN SOLDER DIP
 ALL PC BOARDS: HIGH TEMP PCB, TG>170°C.
- △ MAGNETICS
 APPLICATION: 10/100/1000 BASE-T
 IMPEDANCE: 100 OHMS
 TURNS RATIO (CHIP:CABLE): 1:1 ALL FOUR PAIRS
 OPEN CIRCUIT INDUCTANCE (OCL): 350uH MIN @100kHz, 0.1VRMS, 8mADC BIAS FROM 0°C TO 70°C, ALL FOUR PAIRS
 ALL FOUR PAIRS BI-DIRECTIONAL
 PERFORMANCE @ 25°C:
 INSERTION LOSS (IL): 1.1dB MAX FROM 0.5MHz TO 100MHz
 RETURN LOSS (RL): 18dB MIN FROM 0.5MHz TO 40MHz
 12-20LOG(f/80)dB MIN FROM 40.1MHz TO 100MHz
 CROSSTALK ATTENUATION: 35dB MIN FROM 0.5MHz TO 40MHz
 33-20LOG(f/50)dB MIN FROM 40.1MHz TO 100MHz
 COMMON MODE REJECTION RATIO (CMRR): 30dB MIN FROM 0.5MHz TO 100MHz
 ISOLATION VOLTAGE: 2250VDC (MAX) FOR 60 SECONDS WITH A RISE TIME OF 500V/SEC AND WITH ALL PORTS CONNECTED.
- △ TYCO ELECTRONICS LOGO, PART NUMBER, DATE CODE AND COUNTRY OF ORIGIN AND AGENCY APPROVAL LOGO TO BE LOCATED IN APPROXIMATE AREA SHOWN.
- 4. THE PARTS ARE RECOMMENDED FOR WAVE SOLDERING PROCESS, PEAK TEMPERATURE 260°C MAX, 10 SECONDS MAX.
- 5. OPERATING TEMP: FROM 0°C TO +70°C.
- △ RJ45 CAVITY CONFORMS TO FCC RULES AND REGULATION PART 68 SUBPART F.
- △ INDICATED MAGNETIC CONNECTIONS ARE SYMMETRICAL AND SUPPORT AUTO-MDI/MDIX.
- △ DATUM AND BASIC DIMENSION ESTABLISHED BY CUSTOMER.
- △ BASIC DIMENSION ESTABLISHED BY CUSTOMER, BUT MAY NOT BE GREATER THAN 5.08mm.
- △ LEDS ARE DRIVEN WITH CONSTANT CURRENT AT APPROX 20mA
 LED COLOR:
 DOMINANT WAVELENGTH (λD): GREEN 568 nm TYP. @ IF=20mA
 FORWARD VOLTAGE (VF): GREEN 2.2V TYP. @ IF=20mA
 DOMINANT WAVELENGTH (λD): LOW WAVELENGTH GREEN (LWG) 557 nm TYP. @ IF=20mA
 FORWARD VOLTAGE (VF): LOW WAVELENGTH GREEN 2.2V TYP. @ IF=20mA
 DOMINANT WAVELENGTH (λD): ULTRA LOW WAVELENGTH GREEN (ULWG) 525 nm TYP @ IF=20mA
 FORWARD VOLTAGE (VF): ULTRA LOW WAVELENGTH GREEN (ULWG) 2.8V TYP @ IF=20 mA
 DOMINANT WAVELENGTH (λD): YELLOW 588 nm TYP. @ IF=20mA
 FORWARD VOLTAGE (VF): YELLOW 2.1V TYP. @ IF=20mA
 DOMINANT WAVELENGTH (λD): ORANGE 605 nm TYP. @ IF=20mA
 FORWARD VOLTAGE (VF): ORANGE 2.1V TYP. @ IF=20mA

S8G56 GIGABIT CIRCUIT △△

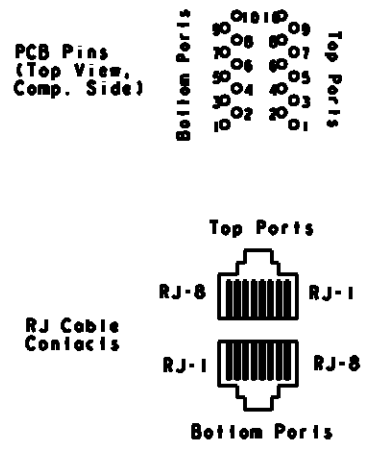
Top and Bottom Ports



C1 = 1000pF, 2kV Capacitor
 C2-C3 = 10nF, 50V Capacitors
 R1-R4 = 75 Ohms, 1/16W, Resistors

Pin Designations

(Repeat for each vertical pair of ports.)



3.04	ULWG/YEL	ULWG	ULWG	ULWG/YEL	9-1840332-7
3.04	LWG/YEL	LWG/YEL	LWG/YEL	LWG/YEL	9-1840332-4
3.04	ORANGE	GRN/ORA	ORANGE	GRN/ORA	4-1840332-4
3.04	YELLOW	GRN/ORA	YELLOW	GRN/ORA	4-1840332-3
2.29	GRN/YEL	GRN/YEL	GRN/YEL	GRN/YEL	2-1840332-4
4.06	GRN/YEL	GRN/YEL	GRN/YEL	GRN/YEL	1-1840332-4
3.04	GREEN	GRN/ORA	GREEN	GRN/ORA	1840332-9
3.04	GREEN	GRN/YEL	GREEN	GRN/YEL	1840332-8
3.04	GRN/ORA	GREEN	GRN/ORA	GREEN	1840332-6
3.04	GRN/YEL	GREEN	GRN/YEL	GREEN	1840332-5
3.04	GRN/YEL	GRN/YEL	GRN/YEL	GRN/YEL	1840332-4
3.04	GREEN	YELLOW	GREEN	YELLOW	1840332-3
3.04	YELLOW	GREEN	GREEN	YELLOW	1840332-2
3.04	GREEN	GREEN	GREEN	GREEN	1840332-1

DIM A	BOTTOM LED NO. 2	BOTTOM LED NO. 1	TOP LED NO. 2	TOP LED NO. 1	PART NUMBER
	△	△	△	△	

DIMENSIONS: mm TOLERANCES UNLESS OTHERWISE SPECIFIED: 0.0 PLG ±0.25 0.1 PLG ±0.25 0.2 PLG ±0.25 0.5 PLG ±0.25 1.0 PLG ±0.25 ANGLES ±°		DATE: 04FEB2009 CHK: TOMMY REN DATE: 04FEB2009 APPR: KENNETH LAI NAME: KENNETH LAI PRODUCT SPEC: 2X1 MAG45(TM) GIGABIT S8G56 CIRCUIT APPLICATION SPEC: WAVE PANEL, GROUND SHIELD, W/LEDS 108-104004		SCALE: NTS SHEET: 1 OF 3 REV: D1	
MATERIAL: △ FINISH: △		CUSTOMER DRAWING		SIZE: A 00779 C=1840332	

X-ON Electronics

Largest Supplier of Electrical and Electronic Components

Click to view similar products for [Modular Connectors](#) / [Ethernet Connectors](#) category:

Click to view products by [TRP Connector](#) / [Bel](#) manufacturer:

Other Similar products are found below :

[RJE231881317T](#) [MP1010RX-1000](#) [MP44RX-1000](#) [GAX-3-66](#) [GAX-8-62](#) [93606-0253](#) [GD-A-44](#) [GDCX-PA-66-50](#) [GDCX-PN-64](#) [GDCX-PN-66](#) [GDCX-PN-66-50](#) [GDLX-A-66](#) [GDLX-A-88](#) [GDLX-N-66](#) [GDLX-S-88K](#) [GDTX-S-88-50](#) [GDX-PA-1010](#) [GLX-N-1010M-BLK](#) [GLX-N-44M](#) [GLX-S-88M-BLK](#) [GMX-N-1010](#) [GMX-S-1010](#) [GMX-S-66](#) [GMX-SMT2-N-1010](#) [GMX-SMT2-N-64-50](#) [GMX-SMT2-S6-88](#) [GMX-SMT4-N-88](#) [GPX-2-64](#) [GRT1-BT1-5](#) [GSGX-N-2-88](#) [GSX-NS2-88-3.05](#) [GSX-NS2-88-3.05-50](#) [GSX-NS-88-3.05-30](#) [GSX-NS-88-3.05-50](#) [GSX-NS-88-3.68](#) [1-1775629-2](#) [GWLX-S-88-GR](#) [GWLX-S9-88-YG](#) [1300500326](#) [1300500227](#) [1300530003](#) [1300570002](#) [1324640-4](#) [RJ11FTVC2G](#) [RJ11FTVC2N](#) [RJFTVX2SA1G](#) [132764-001](#) [1400000](#) [1413176](#) [1413235](#)