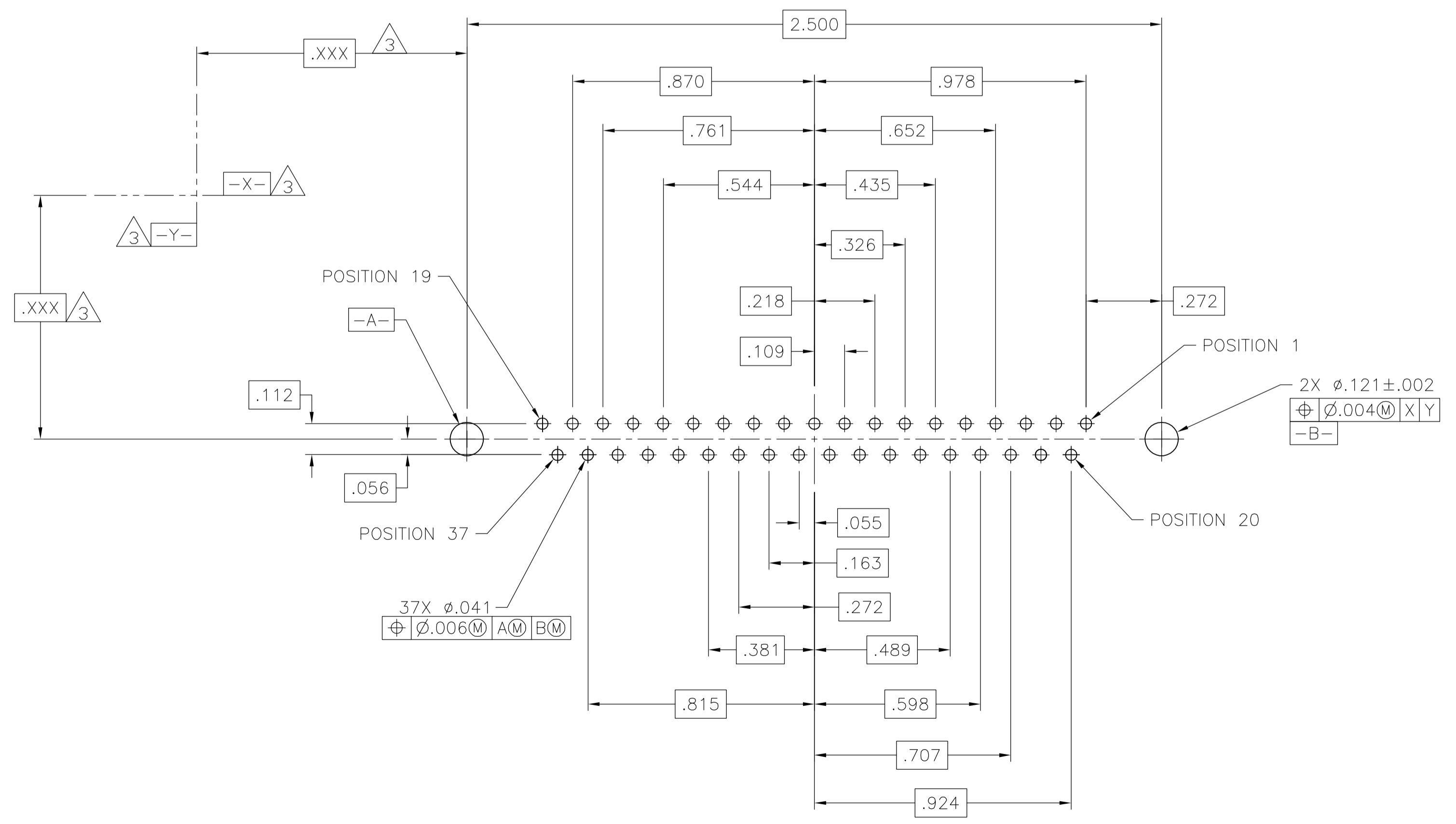
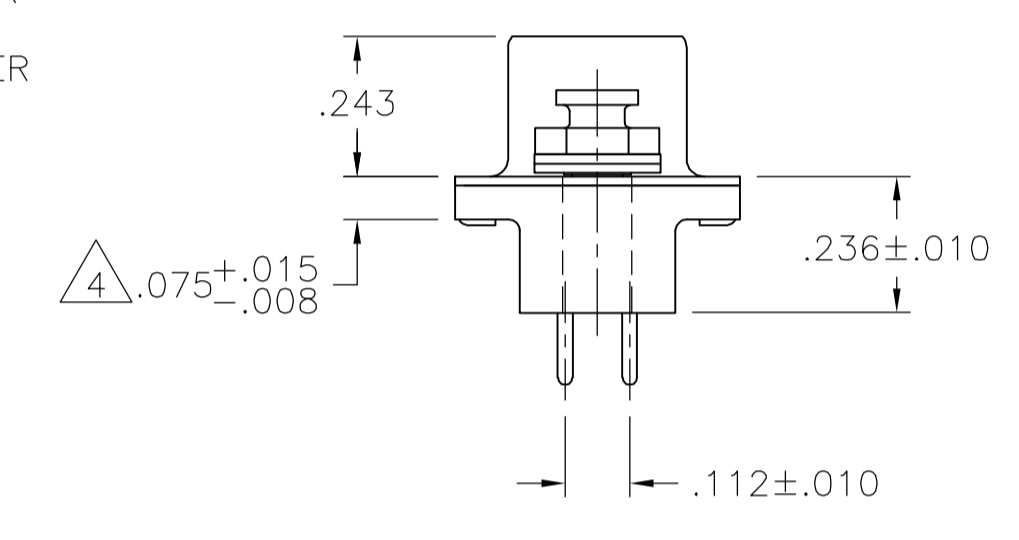
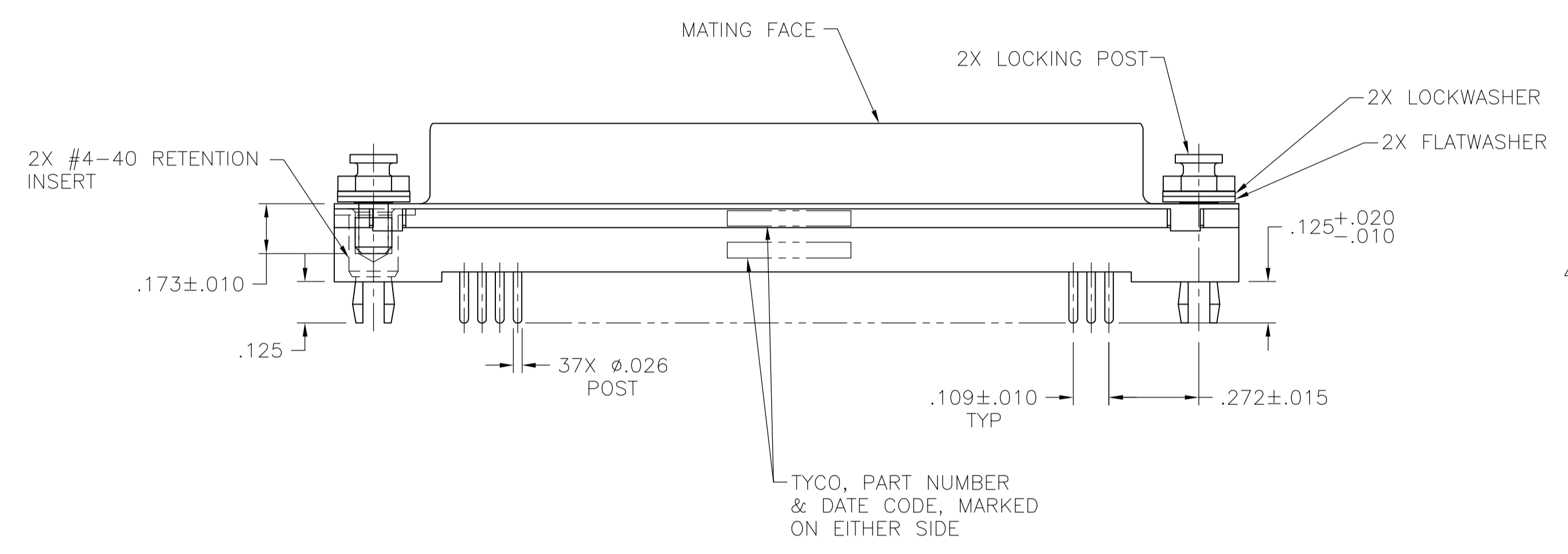


- ① HOUSING: POLYESTER, UL 94V-0 RATED, COLOR BLACK.
SHELL: CARBON STEEL.
CONTACTS: PHOS. BRONZE.
RETENTION INSERTS: BRASS.
LOCKING POSTS, LOCK WASHERS & FLAT WASHERS: CARBON STEEL.
- ② SHELL: .000200 MIN TIN OVER .000100 MIN COPPER
CONTACTS: .000030 MIN GOLD FOR LENGTH OF .100 MIN FROM MATING END,
.000100 MIN TIN ON TERMINATION END, ALL OVER
.000050 MIN NICKEL ON ENTIRE CONTACT.
RETENTION INSERTS: .000150 MIN TIN OVER .000100 MIN COPPER
LOCKING POSTS: .000200 MIN ZINC WITH CLEAR CHROMATE COATING.
LOCK WASHERS & FLAT WASHERS: .000200 MIN ZINC WITH CLEAR CHROMATE COATING.
- ③ DATUMS AND BASIC DIMENSIONS TO BE ESTABLISHED BY CUSTOMER.
- ④ .110 MAX IN SHELL TAB CLINCH AREAS.



RECOMMENDED PC BOARD MOUNTING DIMENSIONS
 (.062 THICK PCB)

5788836-1
 PART NUMBER

THIS DRAWING IS A CONTROLLED DOCUMENT.		DWG B. LATTUCA	12OCT05		Tyco Electronics Corporation Harrisburg, PA 17105-3608				
DIMENSIONS: INCHES		CHK S. BOLASH	12OCT05		APVD M. WALMSLEY	12OCT05	NAME RECEPTACLE ASSEMBLY, SIZE 4, 37 POS., VERTICAL, FRONT METAL SHELL, RETENTION INSERTS AND LOCKING POST, AMPLIMITE HD-20		
TOLERANCES UNLESS OTHERWISE SPECIFIED:		0 PLC ± -		PRODUCT SPEC 108-40025		SIZE A1	CAGE CODE 00779	DRAWING NO 5788836	RESTRICTED TO -
		1 PLC ± -		APPLICATION SPEC 114-40023					
MATERIAL ①		FINISH ②		WEIGHT -		CUSTOMER DRAWING			

X-ON Electronics

Largest Supplier of Electrical and Electronic Components

Click to view similar products for [D-Sub Standard Connectors](#) category:

Click to view products by [TE Connectivity](#) manufacturer:

Other Similar products are found below :

[DCM37S732N](#) [DAM15P500](#) [DEV09S364GTLF](#) [DEM09P032N](#) [DDM50P732N](#) [DAM15S332N](#) [173109-2218](#) [173109-2466](#) [173109-2436](#)
[173109-2435](#) [56F706-005-LI](#) [56F711-015](#) [015-0341-000](#) [015-0372-008](#) [015-8544-011](#) [017041-0005](#) [020419-0104](#) [012-0515-000](#) [012-9507-](#)
[034](#) [012-9507-114](#) [012-9534-001](#) [020745-0008](#) [609-25P](#) [M24308/2-23Z](#) [M243082310F](#) [M243082410F](#) [M243082411F](#) [M24308/4-21](#)
[CT1A18-11PSA206](#) [CT1N36-5SC](#) [CT2-16S-17PS](#) [CT2-20-15PCAU](#) [CT2-24-12PS](#) [CT2-24-28PSF127A206](#) [CT2-32-9PC](#) [CT6F9767-14-4-](#)
[14S-5PC](#) [CT6FA10SL-4PS](#) [CT7-18-10SC](#) [CT7-18-10SCAU](#) [CT7-18-12SCAU](#) [CT7-18-1PC](#) [CT7-18-1PCAU](#) [CT7-18-21SCAU](#) [M83513/01-](#)
[FC](#) [M83723/76W24619 L/C](#) [M85049/48-3-2F](#) [69001-865](#) [6STD09PCM99B70X](#) [6STD09SCM99B30X](#) [6STD09SCT99S40X](#)