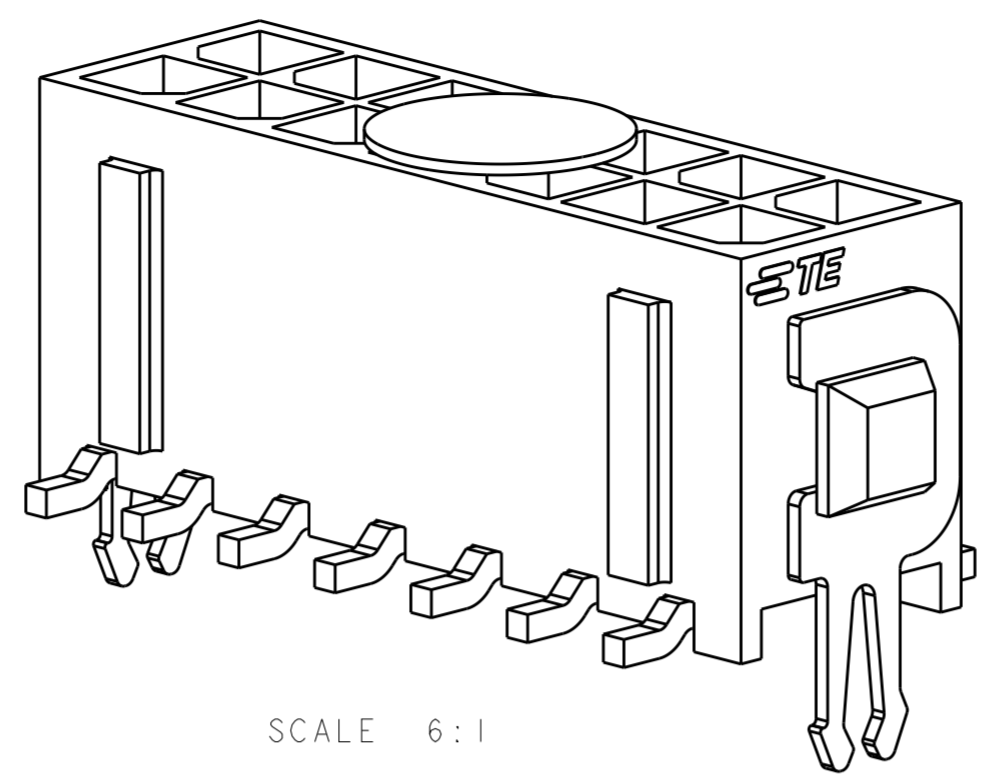
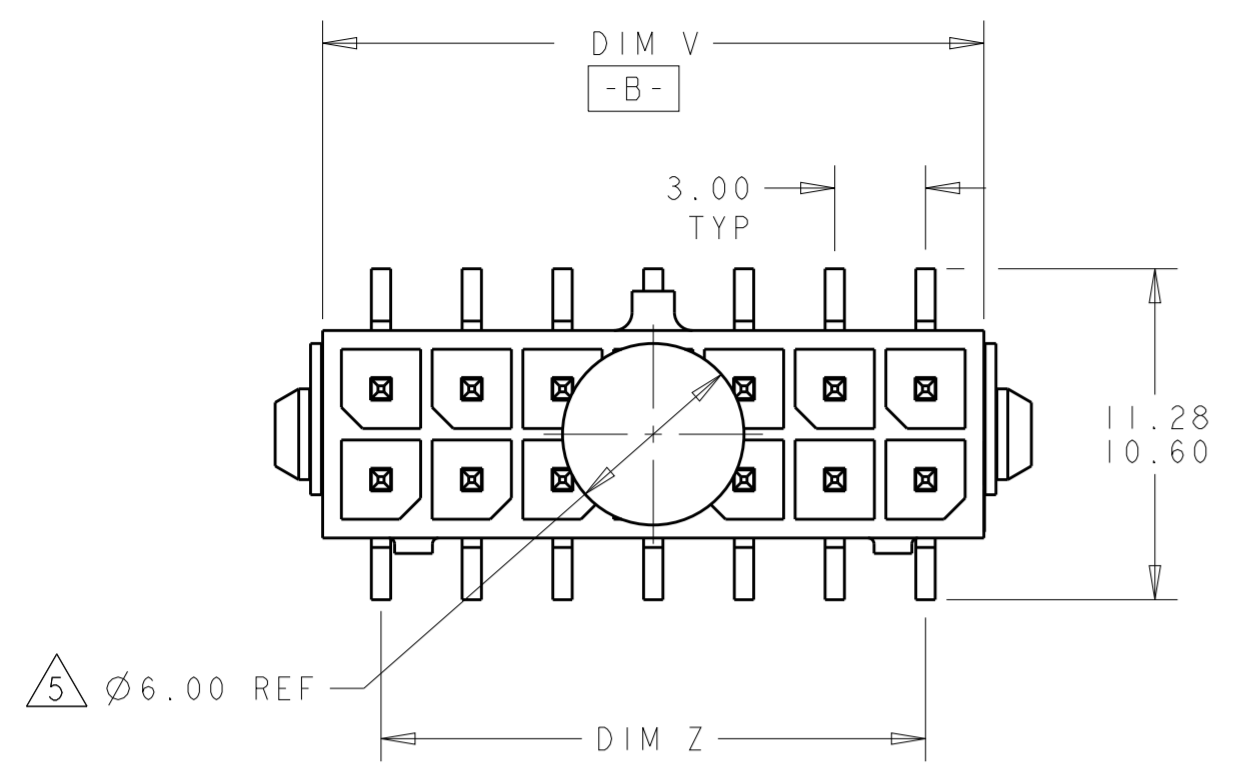
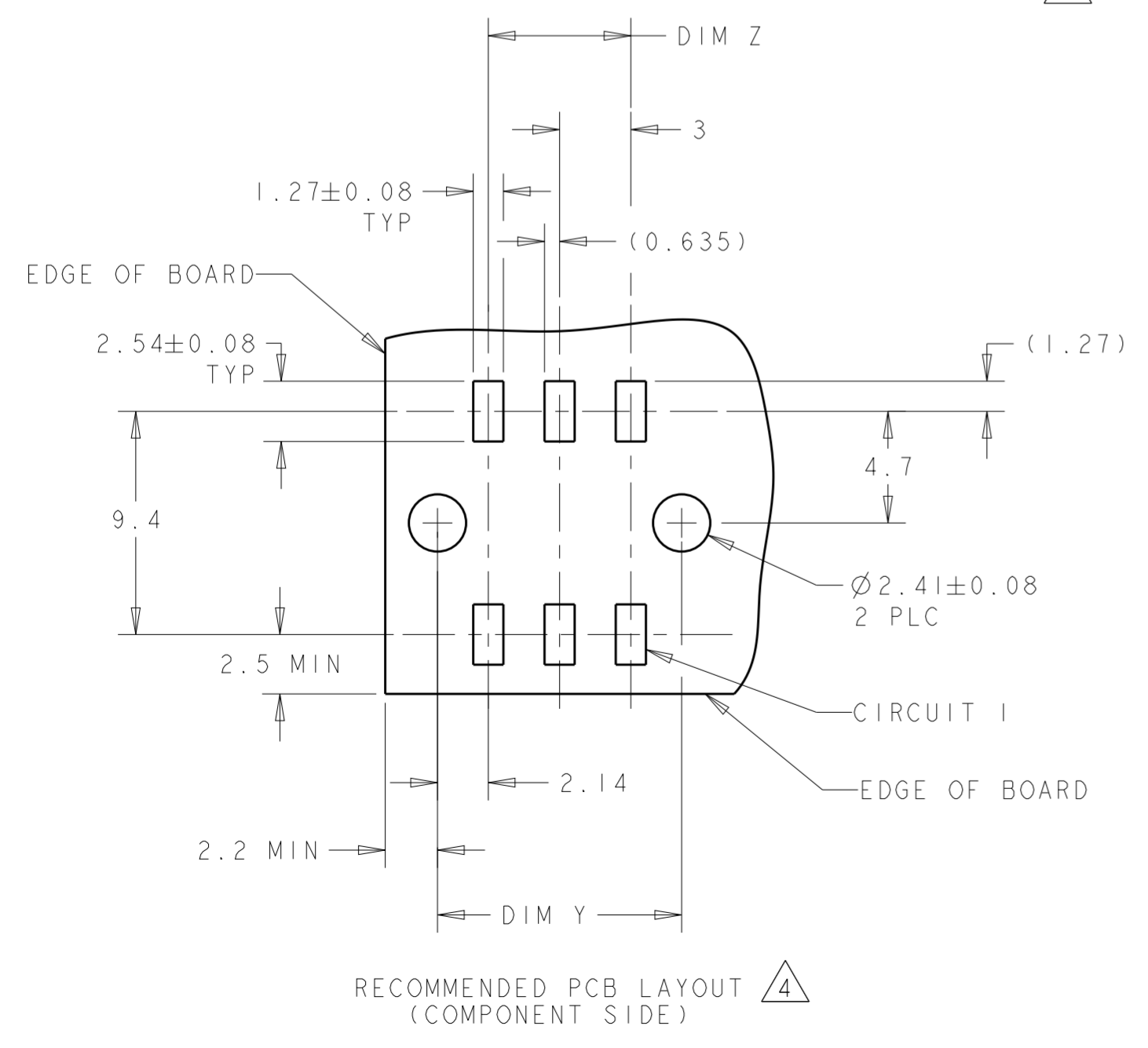
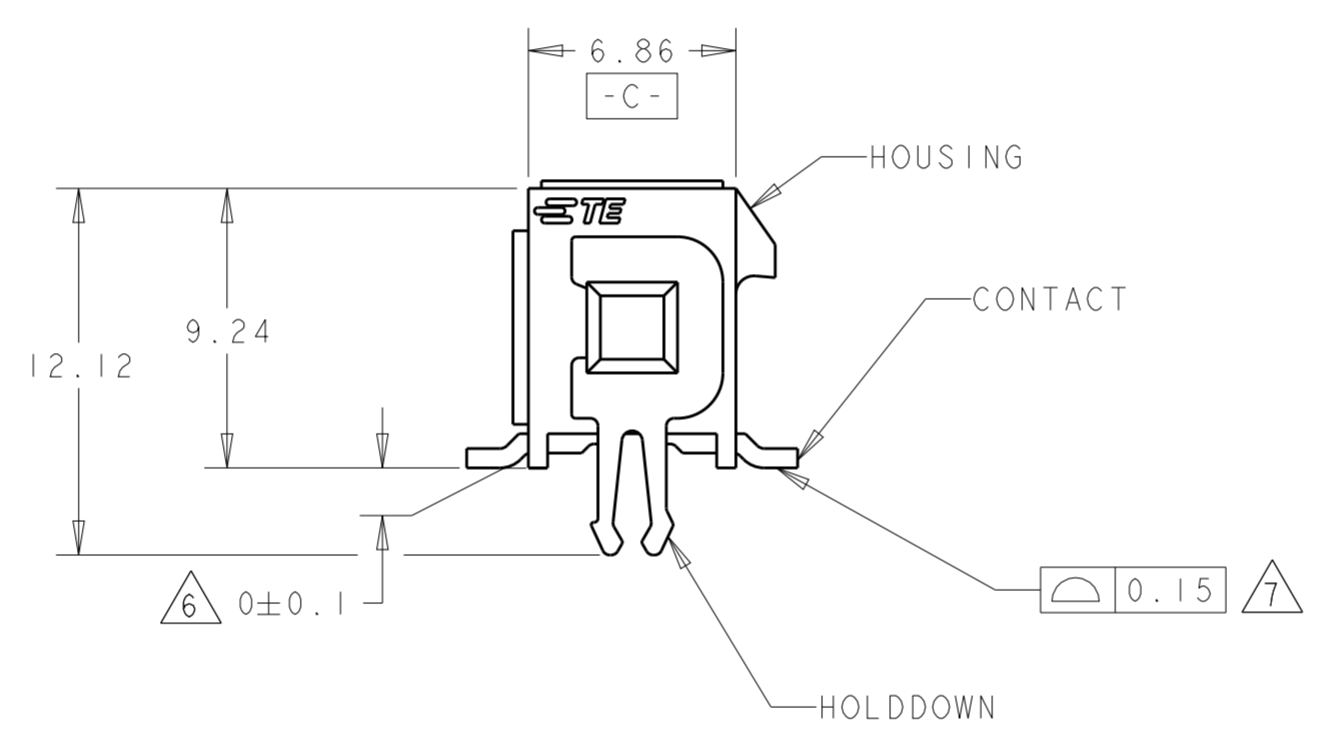
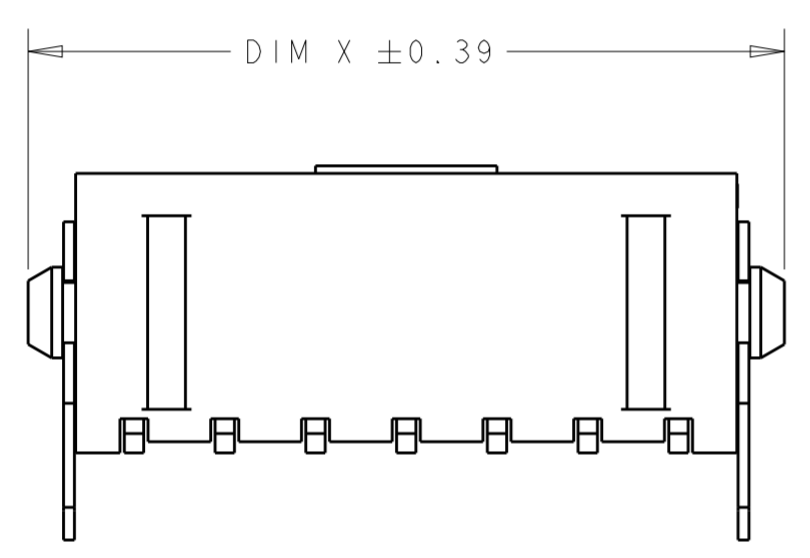


THIS DRAWING IS UNPUBLISHED. RELEASED FOR PUBLICATION 20  
 © COPYRIGHT 20 ALL RIGHTS RESERVED.

LOC	DIST	REVISIONS					
CM	00	P	LTR	DESCRIPTION	DATE	DWN	APVD
		J		REVISED PER ECO-15-003291	27JULY2015	SC	DZ



- 1 MATERIAL:  
CONTACTS - BRASS.  
HOUSING - UL 94V-0 RATED HIGH TEMP NYLON, COLOR; BLACK.  
HOLD DOWNS - PHOSPHOR BRONZE.
- 2 FINISH:  
CONTACTS - 2.54µm MINIMUM TIN-LEAD OVER 0.127µm MINIMUM NICKEL.  
HOLD DOWNS - 2.54µm TIN-LEAD.
- 4 RECOMMENDED PCB BOARD THICKNESS OF 1.57.
- 5 KAPTON VACUUM PICK UP BUTTON.
- 6 DIMENSION APPLIES TO SOLDER TAIL SURFACES AND STANDOFF SURFACES.
- 7 ALL SOLDER TAILS.
- 8 FINISH:  
CONTACTS - 2.54µm MINIMUM MATTE TIN OVER 1.27µm MINIMUM NICKEL.  
HOLD DOWNS - 2.54µm MATTE TIN.



8	36.86	37.3	33.00	40.00	24	5-794633-4
	33.86	34.3	30.00	37.00	22	5-794633-2
	30.86	31.3	27.00	34.00	20	5-794633-0
	27.86	28.3	24.00	31.00	18	4-794633-8
	24.86	25.3	21.00	28.00	16	4-794633-6
	21.86	22.3	18.00	25.00	14	4-794633-4
	18.86	19.3	15.00	22.00	12	4-794633-2
	15.86	16.3	12.00	19.00	10	4-794633-0
	12.86	13.3	9.00	16.00	8	3-794633-8
	9.86	10.3	6.00	13.00	6	3-794633-6
2	6.86	7.3	3.00	10.00	4	3-794633-4
	3.86	4.3	-	7.00	2	3-794633-2
	36.86	37.3	33.00	40.00	24	2-794633-4
	33.86	34.3	30.00	37.00	22	2-794633-2
	30.86	31.3	27.00	34.00	20	2-794633-0
	27.86	28.3	24.00	31.00	18	1-794633-8
	24.86	25.3	21.00	28.00	16	1-794633-6
	21.86	22.3	18.00	25.00	14	1-794633-4
	18.86	19.3	15.00	22.00	12	1-794633-2
	15.86	16.3	12.00	19.00	10	1-794633-0
2	12.86	13.3	9.00	16.00	8	794633-8
	9.86	10.3	6.00	13.00	6	794633-6
	6.86	7.3	3.00	10.00	4	794633-4
	3.86	4.3	-	7.00	2	794633-2
FINISH	DIM V	DIM Y	DIM Z	DIM X	NO. OF POSN.	ASSEMBLY

THIS DRAWING IS A CONTROLLED DOCUMENT.

DWN S. HOOVER 23-MAR-2005  
 CHK C. JONES 23-MAR-2005  
 APVD C. JONES 23-MAR-2005

**STE** TE Connectivity

DIMENSIONS: mm  
 TOLERANCES UNLESS OTHERWISE SPECIFIED:  
 0 PLC ±  
 1 PLC ±  
 2 PLC ±0.13  
 3 PLC ±  
 4 PLC ±  
 ANGLES ±  
 FINISH

MATERIAL 1 - SEE TABLE

PRODUCT SPEC -  
 APPLICATION SPEC -  
 WEIGHT -

NAME SURFACE MOUNT, VERTICAL, MECHANICAL HOLD DOWN, ASSEMBLY, TIN HEADER, DUAL ROW, MICRO MATE-N-LOK (TM)

SIZE A2  
 CAGE CODE 0779  
 DRAWING NO C-794633  
 RESTRICTED TO -

CUSTOMER DRAWING  
 SCALE 4:1  
 SHEET 1 OF 1  
 REV J

METRIC

## X-ON Electronics

Largest Supplier of Electrical and Electronic Components

*Click to view similar products for [Pin & Socket Connectors](#) category:*

*Click to view products by [TE Connectivity](#) manufacturer:*

Other Similar products are found below :

[6450822-1](#) [770392-1](#) [794042-1](#) [796885-1](#) [8-794535-1](#) [881459-2](#) [R929993003](#) [1-350779-3](#) [1403611-1](#) [1-480349-5](#) [152302-5](#) [1586092-1](#)  
[1586129-1](#) [1586487-1](#) [1586681-4](#) [1586700-1](#) [1586065-1](#) [1586077-1](#) [1586368-1](#) [1586380-1](#) [1586616-1](#) [1586680-5](#) [1586681-2](#) [1604996-1](#)  
[16-06-0038](#) [164164-5](#) [1-6609930-1](#) [172296-1](#) [1-794714-6](#) [19-09-2035](#) [1969804-1](#) [200503-1](#) [200788-2](#) [201046-7](#) [202648-4](#) [2029076-2](#)  
[2029090-4](#) [2029095-4](#) [2-66102-6](#) [925061-7](#) [926681-1](#) [293734-4](#) [293737-2](#) [1-765362-4](#) [1-794606-3](#) [1871534-1](#) [1969795-1](#) [1969798-1](#)  
[1969800-1](#) [200833-4](#)