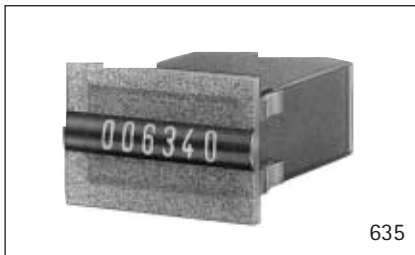


## Totalizing Counters „mini-i“ Type 634/635



634



635

### TYPE VERSIONS

### TECHNICAL DATA

- Miniature size
- Low power consumption
- Electrical connections in standard grid
- Suitable for PCB mounting
- Machine-solderable and washable versions available
- Protection class IP 65

Type 634: Counter with high immunity against magnetic interference.

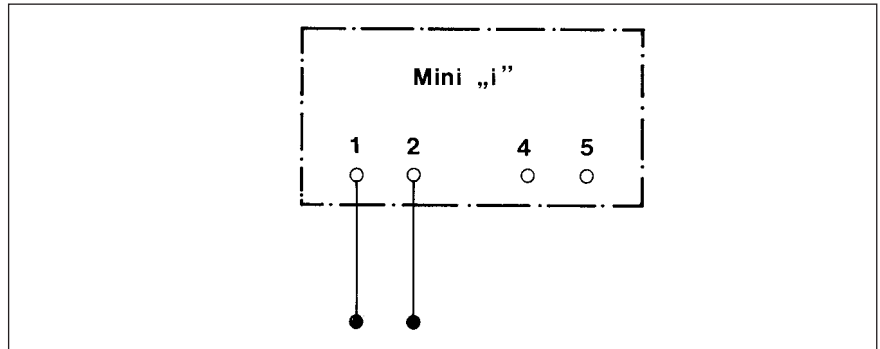
Type 635: Counter with high shock stability.

Display	6-digit
Digit height	4 mm, visual
Supply voltage $V_{DD}$	according to order information, tolerance $\pm 10\%$
Power consumption	Type 634: approx. 50 mW ... 440 mW according Version Type 635: 5...12 VDC 80 mW 24 VDC 160 mW
Operating temperature	- 10 ... + 50 °C
Storage temperature	- 40 ... + 85 °C
El. connection	Versions .1 and .3 with solder pins, .7 and .8 with wiring posts $\varnothing 0.6$ mm
Mounting	Versions .1 and .3 on PCB's, .7 with wiring posts, .8 with locating spring
Mounting position	horizontal
Protection class (EN 60529)	Type .1 and .3 IP 65 Housing, IP 00 Connections Type .7 and .8 IP 66 Front, IP 00 Connections Type 8 IP 40 Front in Frontpanel
Vibro stability	Type 634: 20 m/s <sup>2</sup> (10...500 Hz) acc. to IEC 068-2-6 Type 635: 30 m/s <sup>2</sup> (10...500 Hz) acc. to IEC 068-2-6
Shock stability	Type 634: 2000 m/s <sup>2</sup> acc. to IEC 068-2-27 Type 634: 3500 m/s <sup>2</sup> acc. to IEC 068-2-27
General design	according EN 61010-1
Contamination Level	2
Protection	according to class II
Overvoltage category	II
Susceptibility to magnetic interference	Type 634 at 100 kA/m (PTB) no effect
Maintenance-free operation	10 million pulses
Duty cycle at 25 °C	100 %
Weight	approx. 10 g
Pulse length min.	50 ms
Counting frequency max.	10 Hz
Reset	none

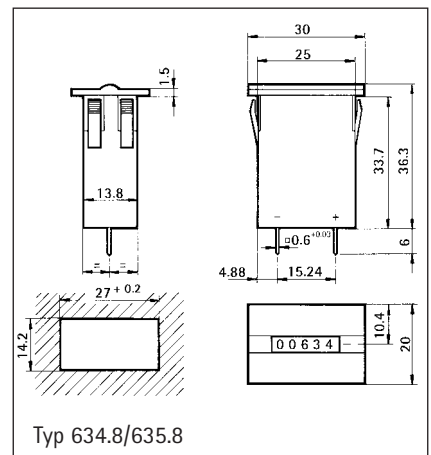
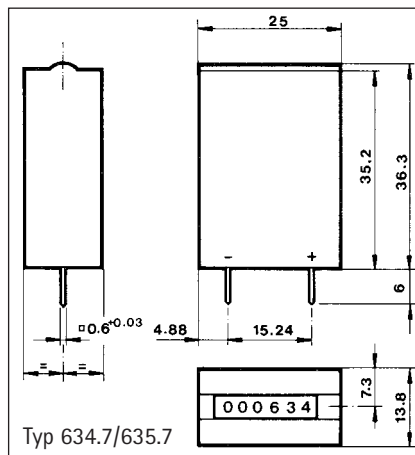
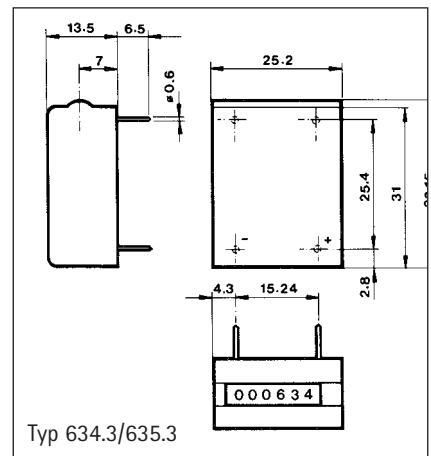
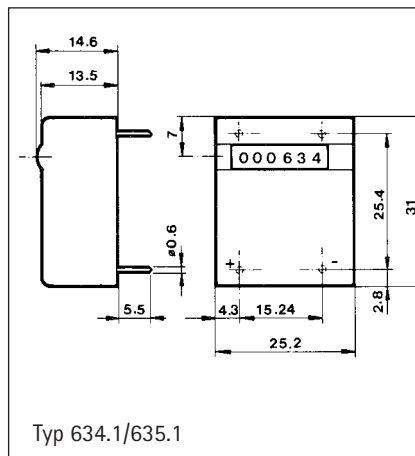
# Type 634/635

## Technical data

### CONNECTION DIAGRAM



### DIMENSIONS



Dimensions in mm

# Technical data

# Type 634/635

## ORDER INFORMATION



### Type 634

		634.1	634.3	634.7	634.8
Voltage	$\Omega$	Ordering code	Ordering code	Ordering code	Ordering code
5 VDC	335	0 634 132	0 634 332	0 634 712	0 634 812
12 VDC	335 + RV				
	330 $\Omega^1$	0 634 128	0 634 328	0 634 708	0 634 808
24 VDC	335 + RV				
	1K $\Omega^1$	0 634 130	0 634 330	0 634 710	0 634 810

### Type 634

		635.1	635.3	635.7	635.8
Voltage	$\Omega$	Ordering code	Ordering code	Ordering code	Ordering code
5 VDC	320	0 635 132	0 635 332	0 635 712*	0 635 812
12 VDC	1860	0 635 128	0 635 328*	0 635 708	0 635 808
24 VDC	3720	0 635 130	0 635 330	0 635 710	0 635 810
Connection leads 150 mm			red	1 634 008	1 634 008
			black	1 634 007	1 634 007

\* on request

Inquire for optional mounting position and further voltages  
1 RV internal

# Type 635



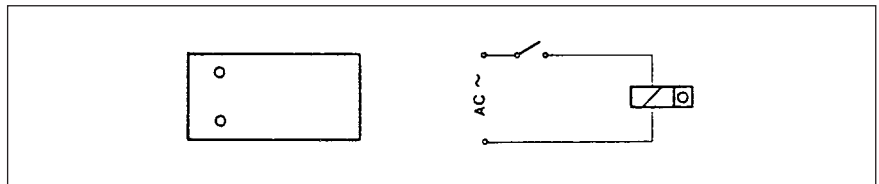
## TECHNICAL DATA

## „mini-iw“ for AC Voltage

- Miniature size
- Low power consumption
- Simple installation
- Protection class IP 65

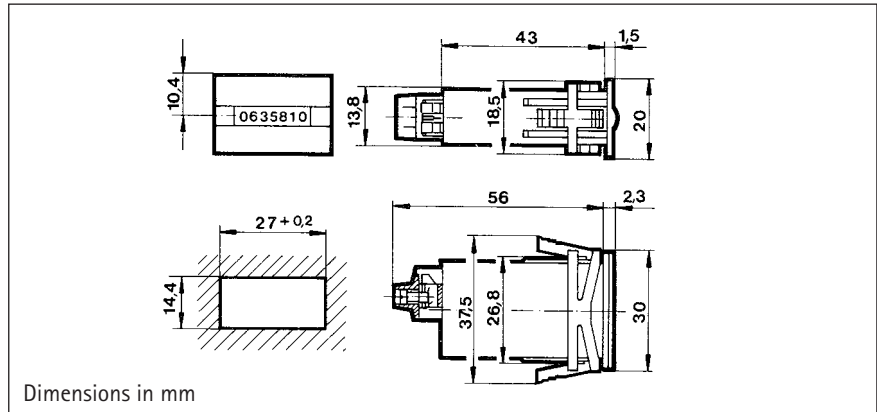
Display	6-digit
Digit height	4 mm, visual
Supply voltage $V_{op}$	according to order information, tolerance $\pm 10\%$ ,
Power consumption	at 24 VAC: 85 mW, at 115 VAC: 310 mW, at 230 VAC: 600 mW
Operating temperature	- 10 ... + 50 °C
Storage temperature	- 40 ... + 85 °C
El. connection	screw connection
Mounting	with clamping frame
Mounting position	horizontal
Protection class ((EN 60529)	IP 65 Frontside, IP 00 Connections ^ IP 40 Front in Frontpanel
Vibrostability	30 m/s <sup>2</sup> (10 ... 500 Hz) acc. to IEC 068-2-6
Shock stability	800 m/s <sup>2</sup> (6 ms) acc. to IEC 068-2-27
General design	according EN 61010-1
Contamination Level	2
Protection	according to class II
Overvoltage category	II
Maintenance-free operation	10 million pulses
Duty cycle at 25 °C	100 %
Weight	approx. 20 g
Count input	adding
Pulse length min.	50 ms
Counting frequency	10 Hz
Pulse duty factor	1:1
Reset	none

## CONNECTION DIAGRAM



## DIMENSIONS

Clamping terminal connection



## ORDER INFORMATION

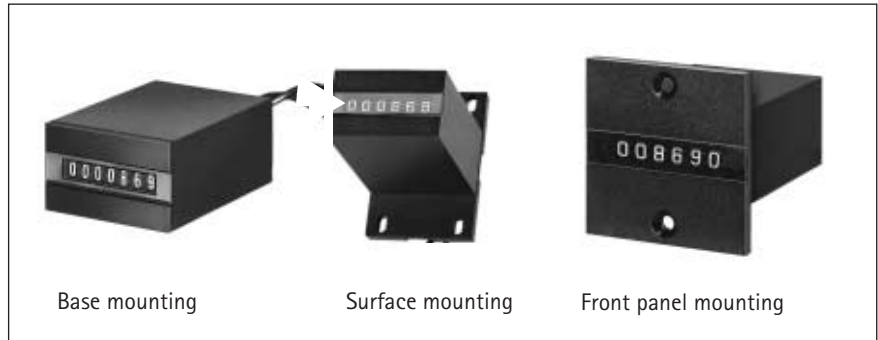
Coil		Ordering code
Voltage	Resist	Clamping term. conn.
24 VAC	6.8 k $\Omega$	0 635 811
115 VAC	6.8 k $\Omega$ + RV 25 k $\Omega$	0 635 813
230 VAC	6.8 k $\Omega$ + RV 66 k $\Omega$	0 635 815

Panel Frame 24 x 36 (assembly dimension 22 x 33) Ordering code 1 405 674

Inquire for other versions

# Type 869

## Mini Counters

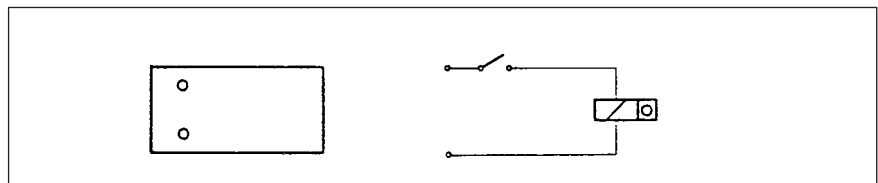


- Miniature size
- 6 or 7-digit, depending on version
- Protection class IP 40
- No reset

### TECHNICAL DATA

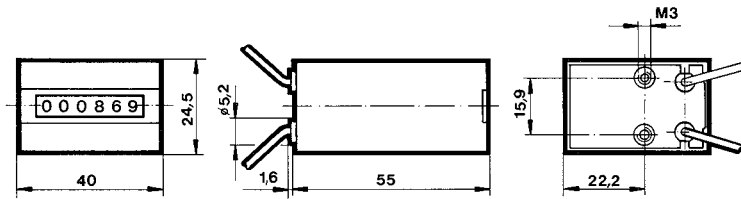
Display	6 or 7 -digit, depending on version
Digit height	4 mm
Supply voltage $V_{OD}$	24 VDC
Power consumption	1.7 W
Residual ripple	< 48 %
Operating temperature	- 10 ... + 50 °C
Storage temperature	- 40 ... + 85 °C
El. connection	flexible lead connection 250 mm, Ord. code 0 869 107 for 150 mm
Protection class (IEC 144)	front IP 54, connections IP 00
Vibro stability	50 m/s <sup>2</sup> (10 ... 500 Hz) acc. to IEC 068-2-6
Shock stability	300 m/s <sup>2</sup> (6 ms) acc. to IEC 068-2-27
General design	EN 61010-1
	Protection class II
	Contamination class 2
	Overvoltage category II
Duty cycle at 25 °C	100 %
Maintenance-free operation	10 <sup>7</sup> pulses
Weight	approx. 80 g
Count input	adding
Pulse length min.	25 ms
Counting frequency max.	20 Hz
Pulse duty factor	1:1
Reset	none

### CONNECTION DIAGRAM

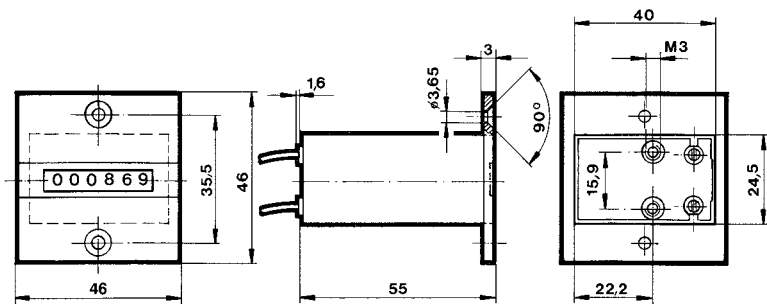


## DIMENSIONS

Rear screw mounting



Front panel mounting



Dimensions in mm

## ORDER INFORMATION

	Ordering code	Ordering code
Version	6-digit	7-digit
Base mounting	0 869 207	0 869 007
Front panel mounting	0 869 307	0 869 107
Attaching socket	1 869 026	

## **X-ON Electronics**

Largest Supplier of Electrical and Electronic Components

*Click to view similar products for [hengstler](#) manufacturer:*

Other Similar products are found below :

[0.601.151](#) [0.635.810](#) [0.633.831](#) [0.868.165](#) [0.891.606](#)