

AND123R Standard LED

T-1 Package (3 mm)

The bright red (GaP) source color devices are made with Gallium Phosphide Red Light Emitting Diode.

Features

- Low power consumption
- Popular T-1 diameter package
- General purpose leads
- Reliable and rugged
- Long life - solid state reliability
- Available on tape and rell
- RoHS compliant

Maximum Ratings (Ta - 25 °C)

Color		Lens Desc.	Iv (mcd) [2] @ 10 mA		Viewing Angle 2θ1/2 (Deg)
LED	Lens		Min.	Typ.	
Red	Red	Red Transparent	1.8	5	50

Notes: 1) θ 1/2 is the angle from optical centering where the luminous intensity is 1/2 of the optical peak value.

2) luminous intensity / luminous flux: ± 15%

Absolute Maximum Ratings (Ta - 25 °C)

Item	Symbol	Rating	Unit
Power Dissipation	P _D	62.5	mW
DC Forward Current	I _F	25	mA
Reverse Voltage	V _R	5	V
Peak Forward Current [1]		130	mA
Operating Temperature Range	T _{OPR}	-40 to +85	°C
Lead Solder Temperature [2]		260°C for 3 seconds	
Lead Solder Temperature [3]		260°C for 5 seconds	

Notes: 1) 1/10 Duty Cycle; 0.1 ms Pulse Width

2) 2 mm below package base

3) 5 mm below package base

Electrical/Optical Characteristics at Ta=25° C

Item	Symbol	Test Condition	Device	Typical	Maximum	Unit
Peak Wavelength	λ _{peak}	I _F = 20 mA	Bright Red	700	-	nm
Dominant Wavelength	λ _D [1]	I _F = 20 mA	Bright Red	660	-	nm
Spectral Line Half Width	Δλ 1/2	I _F = 20 mA	Bright Red	45	-	nm
Capacitance	C	V _F = 0V; f=1MHz	Bright Red	40	-	pF
Forward Voltage	V _F [2]	I _F = 20 mA	Bright Red	2.25	2.5	V
Reverse Current	I _R	V _R = 5 V	Bright Red	-	10	μA

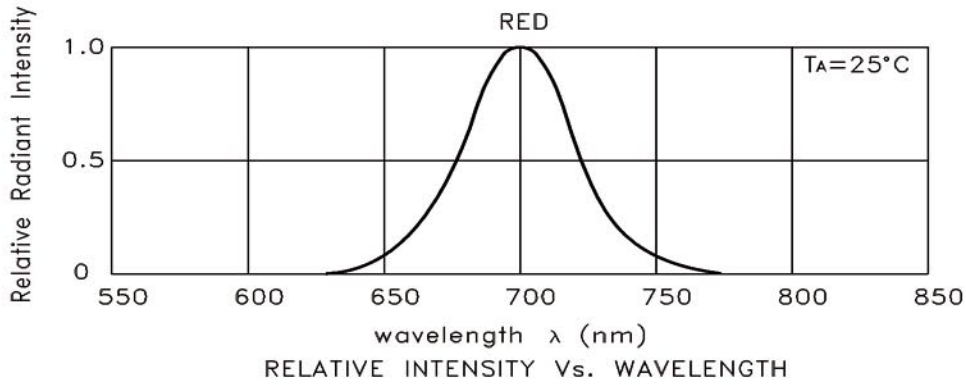
Notes: 1) Wavelength ± 1 nm

2) Forward voltage ± 0.1V

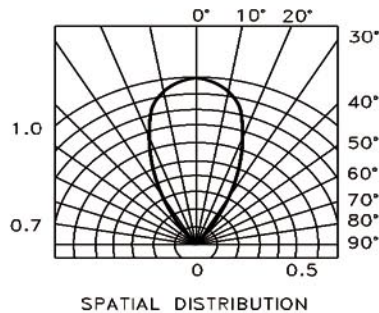
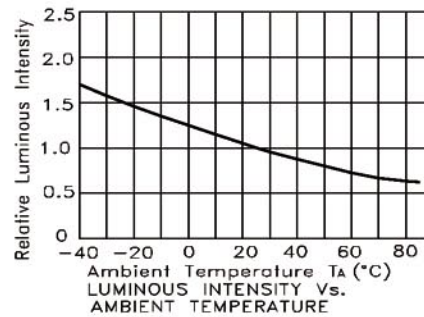
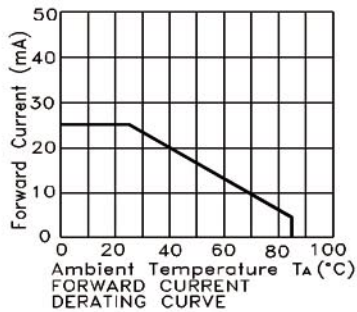
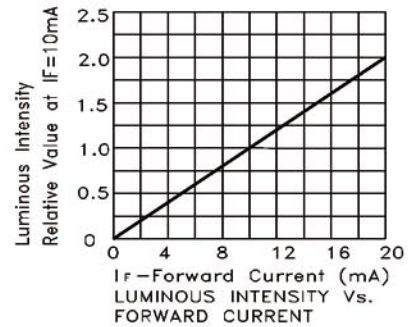
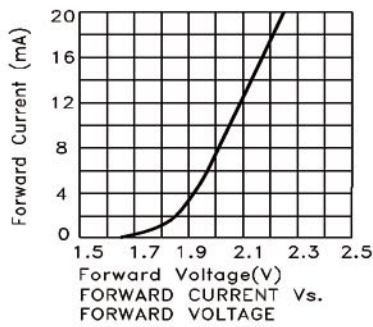
Product specifications contained herein may be changed without prior notice. It is therefore advisable to contact Purdy Electronics before proceeding with the design of equipment incorporating this product.

Purdy Electronics Corporation • 755 N. Pastoria Ave. • Sunnyvale, CA 94085

Tel: 408-523-8200 • Fax: 408-733-1287 • sales@purdyelectronics.com • www.purdyelectronics.com



Bright Red



X-ON Electronics

Largest Supplier of Electrical and Electronic Components

Click to view similar products for [and manufacturer:](#)

Other Similar products are found below :

[EVB5.1 V5 ATMEGA32](#) [AND241](#) [AND113Y](#) [AVRPROG-MKII-ECO](#) [AND130CR](#) [AND113R](#) [AND180AYP](#) [AND721GST-LED](#)
[FE0203W-DU](#) [AND155CRP](#) [AND114YP](#) [FE0206W-DU](#) [AND262HBA](#) [AND113GP](#) [AND2451RGL](#) [AND114-R](#) [AND124R](#) [AND123R](#)
[AND120CRP](#) [AND240GCP](#)