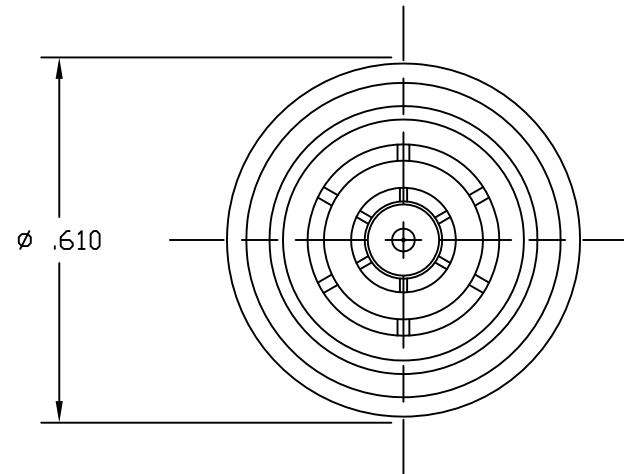
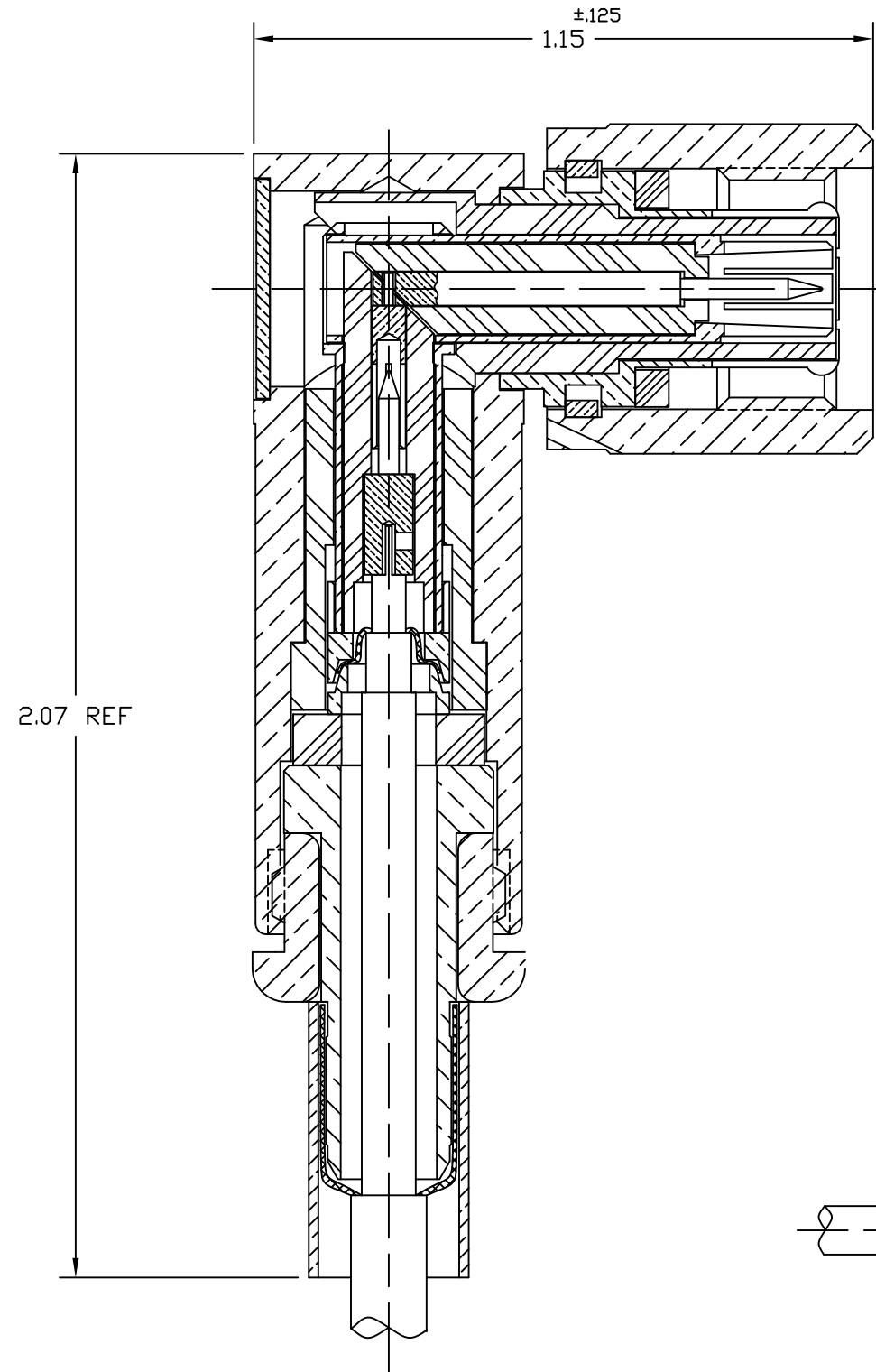


82-5772

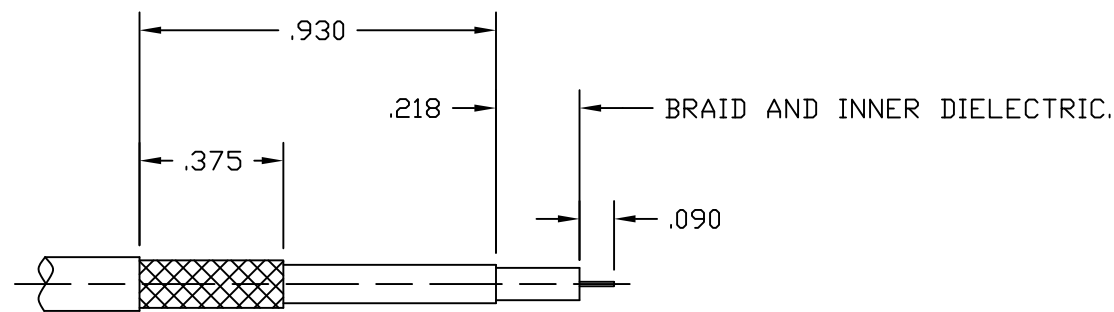
REVISIONS

DRAWING NO.	REV	DESCRIPTION	DATE	ECO	APPR
THIRD ANGLE PROJ.		OFFICIAL ENG. RELEASE TO MFG.			
	G	ADD SHEET 2	4/11/95	40614	CPM/
	H	SEE SHEET 1	11/8/05	45791	CPM/
	J	SEE SHEET 1	5/17/10	48081	CPM/



NOTES:

1. PLATING MUST CONFORM TO AMPHENOL SPEC 349-50560.
2. FOR CABLE STRIPPING DIM'S & ASSEMBLY INSTRUCTIONS SEE AMPHENOL SPEC 349-50359.
3. DO NOT SCALE THIS DRAWING.
4. UNLESS OTHERWISE SPECIFIED, ALL DIMENSIONS ARE AFTER PLATING.



RECOMMENDED CABLE STRIPPING DIM'S

CUSTOMER OUTLINE DRAWING
ALL OTHER SHEETS ARE FOR INTERNAL USE ONLY

UNLESS OTHERWISE SPECIFIED, DIMENSIONS ARE IN INCHES AND TOLERANCES ARE:
2 PLACE DECIMAL 3 PLACE DECIMAL ANGLES
±.015 (0,381 mm) ±.005 (0,127 mm) ± 1'

NOTICE - These drawings, specifications, or other data (1) are, and remain the property of Amphenol Corp. (2) must be returned upon request; and (3) are confidential and not to be disclosed to any person other than those to whom they are given by Amphenol Corp. The furnishing of these drawings, specifications, or other data by Amphenol Corp., or to any other person to anyone for any purpose is not to be regarded by implication or otherwise in any manner licensing, granting rights or permitting such holder or any other person to manufacture, use or sell any product, process or design, patented or otherwise, that may in any way be related to or disclosed by said drawings, specifications, or other data.

MATERIAL	DRAWN	DATE	TITLE TNC RT ANGLE TRIAX PLUG	Amphenol Amphenol Corporation RF/Microwave Operations Danbury, Conn. U.S.A. 06810 SCALE: 3:1 SHEET 2 OF 2		
	C. McGRATH	4/10/95				
REFERENCE	ENGINEER	DATE				
	APPROVED	DATE				
CAD FILE		CODE ID	DWG SIZE	DRAWING NO.	ISSUE	
H:\DEPT611\TNC\082\ASSY\5772SH2		74868	B	82-5772	J	

X-ON Electronics

Largest Supplier of Electrical and Electronic Components

Click to view similar products for [RF Connectors / Coaxial Connectors](#) category:

Click to view products by [Amphenol](#) manufacturer:

Other Similar products are found below :

[R125315120](#) [8915-1511-000](#) [89674-0827](#) [5916-1103-603](#) [0106-001-000](#) [6-0001-3](#) [6001-7071-019](#) [6002-7051-003](#) [6002-7551-202](#) [6059674-1](#) [619550-1](#) [630059-000](#) [M39012/25-0021](#) [M39012/79-3008](#) [M39030/3-01N](#) [M39030/3-03N](#) [M3933/25-29N](#) [M3933/25-36N](#) [6500-7071-046](#) [6501-1071-002](#) [M83723/72W24576](#) [M83723/72W2457N](#) [6769](#) [CX050L2AQ](#) [7002-1541-010](#) [7002-1572-002](#) [7003-1572-002](#) [7004-1512-000](#) [7009-1511-004](#) [7010-1511-000](#) [7029-1511-060](#) [7101-1541-010](#) [7101-1571-002](#) [7105-1521-002](#) [7145-1521-002](#) [7209-1511-011](#) [7210-1511-012](#) [7210-1511-015](#) [7210-1511-019](#) [7210-1511-040](#) [7225-1512-050](#) [7242-1511-000](#) [73137-5015](#) [73251-0111](#) [73251-0672](#) [73276-1501](#) [73366-0013](#) [73404-2300](#) [73413-6080](#) [734151610](#)