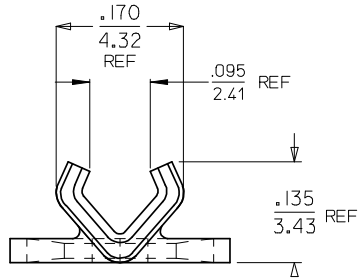
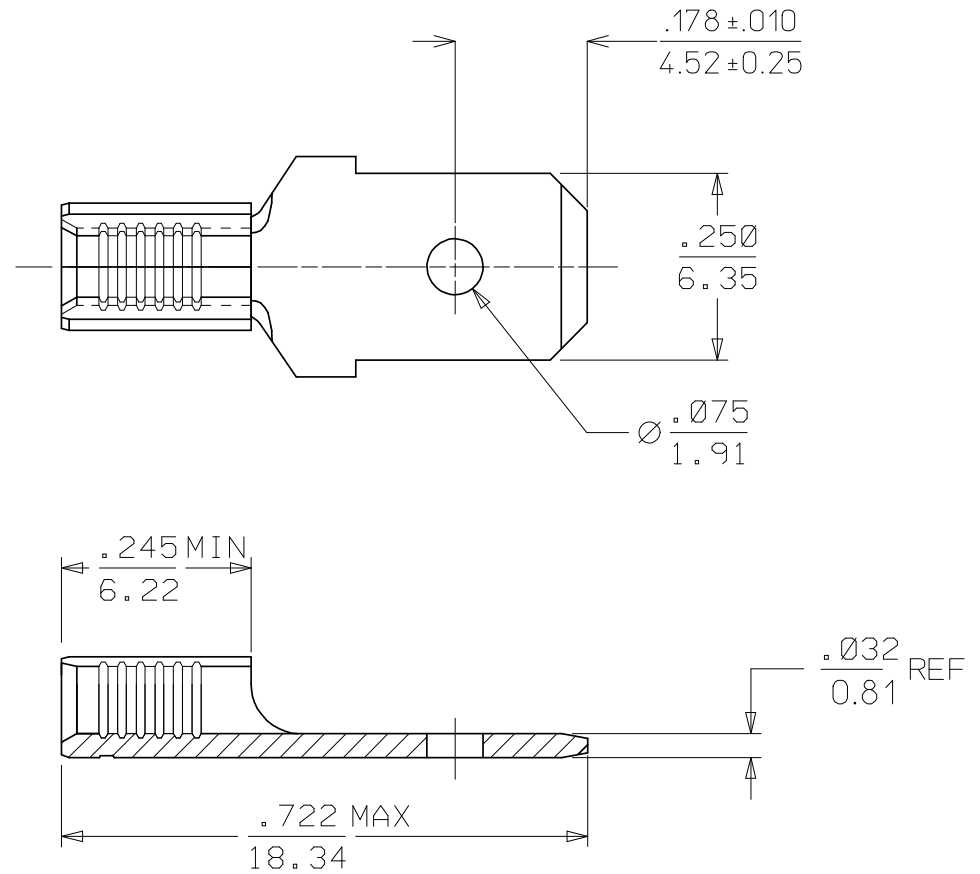
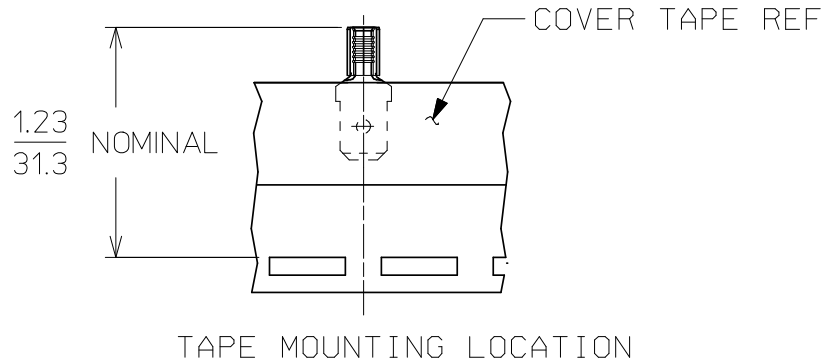


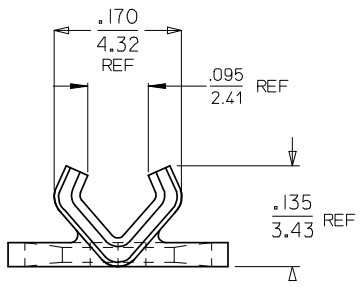
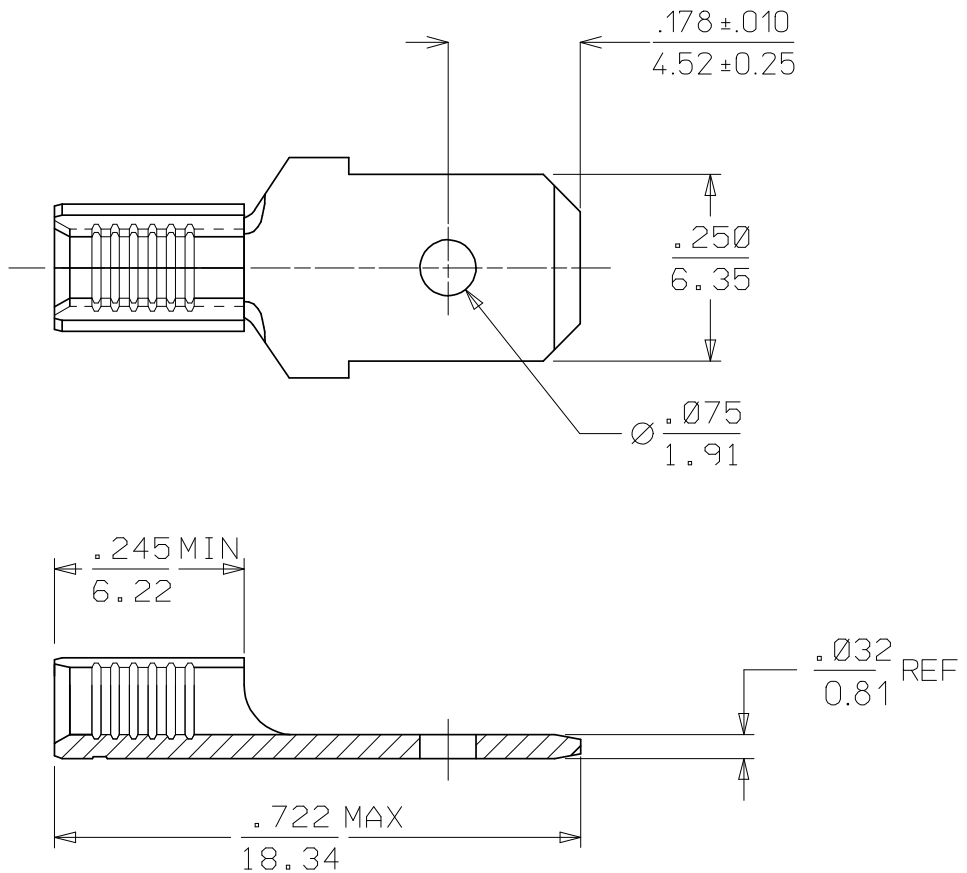
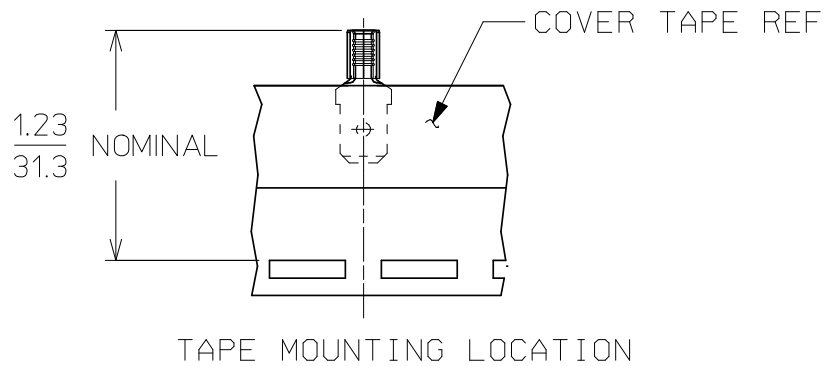
|                 |    |                    |                                    |   |   |   |   |   |   |   |   |   |
|-----------------|----|--------------------|------------------------------------|---|---|---|---|---|---|---|---|---|
| 13              | 12 | 11                 | 10                                 | 9 | 8 | 7 | 6 | 5 | 4 | 3 | 2 | 1 |
| MATERIAL NUMBER |    | ENGINEERING NUMBER | DESCRIPTION                        |   |   |   |   |   |   |   |   |   |
| 190220046       |    | SPL-0664           | ZINC CHROMATE PLATED               |   |   |   |   |   |   |   |   |   |
| 190220047       |    | SPL-0664T          | ZINC CHROMATE PLATED, TAPE MOUNTED |   |   |   |   |   |   |   |   |   |



- NOTES:
1. MATERIAL: BRASS
  2. FINISH: SEE CHART
  3. WIRE SIZE: 22-18 AWG (0.38 - 0.96 mm<sup>2</sup>).
  4. TAB DIMENSIONS CONFORM TO UL310 SPECIFICATIONS.
  5. PART IS ROHS COMPLIANT.

|  |                               |                                       |       |                          |                         |   |   |                        |  |
|--|-------------------------------|---------------------------------------|-------|--------------------------|-------------------------|---|---|------------------------|--|
| RELEASE SD<br>EC NO: ETC2007-0081<br>DRAWN:EHLE 2008/01/28<br>CHKD:JMACNEIL 2008/01/28<br>APPR:JMACNEIL 2008/02/13 | QUALITY SYMBOLS<br>▽=0<br>▽=0 | GENERAL TOLERANCES (UNLESS SPECIFIED) |       | DIMENSION STYLE<br>IN/MM |                         | SCALE<br>4:1  | DESIGN UNITS<br>INCH  | THIRD ANGLE PROJECTION |  |
|  |                               | mm                                    | INCH  | DRAWN BY<br>ETHRODAHL    | DATE<br>2007/12/14      | TITLE<br>MALE CONNECTOR TERMINAL<br>.250 X .032 TAB<br>OPEN BARREL  |   |                        |  |
| A  | REV                           | 4 PLACES                              | ±---  | ±---                     | CHECKED BY<br>JMACNEIL  | DATE<br>2007/12/17  | MOLEX MOLEX INCORPORATED<br>DOCUMENT NO.<br>SD-19022-019<br>SHEET NO.<br>1 OF 1 |                        |  |
|  |                               | 3 PLACES                              | ±---  | ±.005                    | APPROVED BY<br>JMACNEIL | DATE<br>2007/12/17  |   |                        |  |
|  |                               | 2 PLACES                              | ±0.13 | ±.01                     |                         |   |   |                        |  |
|  |                               | 1 PLACE                               | ±0.25 | ±---                     |                         |   |   |                        |  |
|  |                               | ANGULAR                               |       | ±1/2°                    |                         |   |   |                        |  |
|  |                               | DRAFT WHERE APPLICABLE                |       | SEE CHART                |                         |   |   |                        |  |
|  |                               | MUST REMAIN WITHIN DIMENSIONS         |       | SIZE                     |                         | THIS DRAWING CONTAINS INFORMATION THAT IS PROPRIETARY TO MOLEX INCORPORATED AND SHOULD NOT BE USED WITHOUT WRITTEN PERMISSION |   |                        |  |

|                 |    |                    |                                    |   |   |   |   |   |   |   |   |   |
|-----------------|----|--------------------|------------------------------------|---|---|---|---|---|---|---|---|---|
| 13              | 12 | 11                 | 10                                 | 9 | 8 | 7 | 6 | 5 | 4 | 3 | 2 | 1 |
| MATERIAL NUMBER |    | ENGINEERING NUMBER | DESCRIPTION                        |   |   |   |   |   |   |   |   |   |
| 190220046       |    | SPL-0664           | ZINC CHROMATE PLATED               |   |   |   |   |   |   |   |   |   |
| 190220047       |    | SPL-0664T          | ZINC CHROMATE PLATED, TAPE MOUNTED |   |   |   |   |   |   |   |   |   |



- NOTES:
1. MATERIAL: BRASS
  2. FINISH: SEE CHART
  3. WIRE SIZE: 22-18 AWG (0.38 - 0.96 mm<sup>2</sup>).
  4. TAB DIMENSIONS CONFORM TO UL310 SPECIFICATIONS.
  5. PART IS ROHS COMPLIANT.

|   |                               |                                       |       |                          |   |  |   |                        |  |
|---|-------------------------------|---------------------------------------|-------|--------------------------|---|--|---|------------------------|--|
| RELEASE SD<br>EC NO: ETC2007-0081<br>DRAWN:EHILE 2008/01/28<br>CHKD:JMACNEIL 2008/01/28<br>APPR:JMACNEIL 2008/02/13 | QUALITY SYMBOLS<br>▽=0<br>▽=0 | GENERAL TOLERANCES (UNLESS SPECIFIED) |       | DIMENSION STYLE<br>IN/MM |   | SCALE<br>4:1   | DESIGN UNITS<br>INCH  | THIRD ANGLE PROJECTION |  |
|   |                               | mm                                    | INCH  | DRAWN BY<br>ETHRODAHL    | DATE<br>2007/12/14  | TITLE<br>MALE CONNECTOR TERMINAL<br>.250 X .032 TAB<br>OPEN BARREL |   |                        |  |
| A   | REV                           | 4 PLACES                              | ±---  | ±---                     | CHECKED BY<br>JMACNEIL  | DATE<br>2007/12/17   | molex MOLEX INCORPORATED<br>DOCUMENT NO.<br>SD-19022-019<br>SHEET NO.<br>1 OF 1 |                        |  |
|   |                               | 3 PLACES                              | ±---  | ±.005                    | APPROVED BY<br>JMACNEIL   | DATE<br>2007/12/17   |   |                        |  |
|   |                               | 2 PLACES                              | ±0.13 | ±.01                     | DRAFT WHERE APPLICABLE MUST REMAIN WITHIN DIMENSIONS  |  |   |                        |  |
|   |                               | 1 PLACE                               | ±0.25 | ±---                     | SEE CHART   |  |   |                        |  |
|   |                               | ANGULAR                               |       | ±1/2°                    | THIS DRAWING CONTAINS INFORMATION THAT IS PROPRIETARY TO MOLEX INCORPORATED AND SHOULD NOT BE USED WITHOUT WRITTEN PERMISSION |  |   |                        |  |

## X-ON Electronics

Largest Supplier of Electrical and Electronic Components

*Click to view similar products for [Terminals](#) category:*

*Click to view products by [Molex](#) manufacturer:*

Other Similar products are found below :

[HT-13-10](#) [71M-250-32-NB](#) [01-2065-1-0216](#) [00581P0075](#) [M10-10RX](#) [M10BCK](#) [60205-1](#) [604200-1](#) [60598-1-CUT-TAPE](#) [60617-1-C](#) [60873-1](#) [M14-516R/SK](#) [M14-6RSX](#) [M18-10FLX](#) [M18-8FBX](#) [M18-8R/LX](#) [M18BCK](#) [61314-6-C](#) [61-S](#) [61-SN-A](#) [62149-1](#) [62-NBM-A](#) [63-S](#) [640179-1](#) [640917-2-CUT-TAPE](#) [6501550002](#) [66107-2-C](#) [66107-4-C](#) [696683-1](#) [696834-1](#) [696861-1](#) [696931-1](#) [696999-1](#) [M8-516RK](#) [M86700006](#) [MA250DMFMX-A](#) [701-2007](#) [701-2307](#) [701-7761-03](#) [70F-110-32-PB](#) [718-N-A](#) [71M-187-20-NBL](#) [71M-250-32-NBL](#) [72F-187-20-NBL](#) [72M-250-32-NBL](#) [7310](#) [73F-250-32](#) [73F-250-32-NBL](#) [73F-250-32-NL](#) [F-1M](#)